

Unique Anti-Residual design

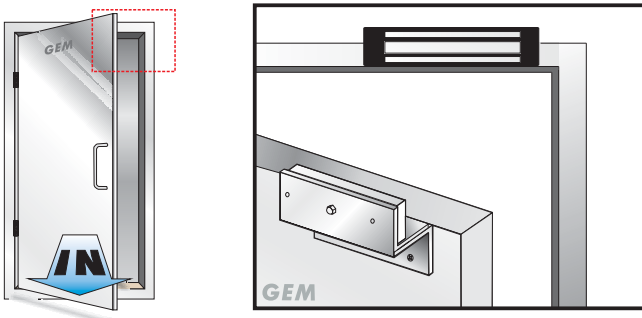
When there is no power, there will be no holding force, and the push-off button will pop out immediately, to release the Electromagnetic Lock and the Armature Plate for no residual magnetism.

Statement

The fail-safe Electromagnetic Lock design with no mechanical parts but magnetic force to secure and release the doors, suitable for use in areas which required access controlled or egress such as Darkrooms, Cabinet...etc.

The Electromagnetic Locks are totally sealed in an epoxy filled stainless steel case for water-resistant and vandal-resistant purpose. A threaded conduit fitting ensures weather resistant protection of the wiring therefore it is ideal for indoor and outdoor applications, even in severe weather.

10003F offers up to 300 pounds holding force with 12V DC power input (24V DC input voltage available by special order). It is the best choice for electronic security industry and system integrators.

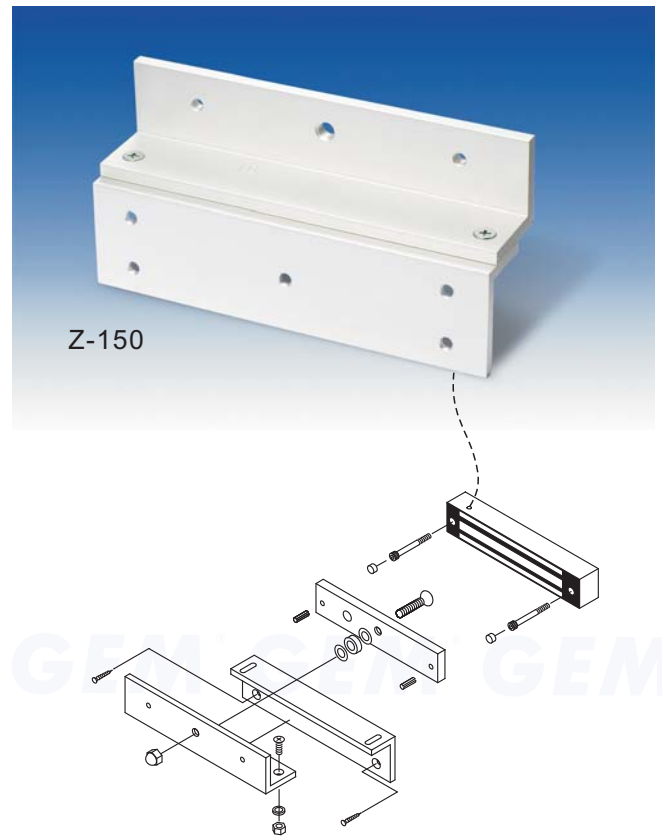


Specifications

- Voltage Tolerance: 15%
- Current Draw: 300mA@12Vdc(at temperature 20C)
(Further notice for diverse input voltage on special order requirement)
- Operating Temperature: -10~55C (14~131F)
- Humidity: 0~95% non-condensing.
- Lock's surface Temperature (when the power is on):
(current temperature +20C)
- Holding Force: Up to 300 lbs (136 Kg)
- Dimensions:
Magnet:(L) 170, (W) 32, (D) 24 mm
Armature Plate:(L) 152, (W) 32, (D) 10 mm
- Special Finishes for magnet and armature plate: Zinc
- Epoxy Potting Compound: E87252 (S), UL94V-0
- Weight (Approx.): 1.5 Kg

Optional Brackets

With Z-bracket for in-swinging doors



Warranty

The product is warranted against defects in material and workmanship while used in normal service for a period of 5 year from the date of sale to the original customer. The GEM policy is one of continual development and improvement; therefore GEM reserves the right to change specifications without notice.

GIANNI INDUSTRIES, INC.

No. 13, Zhong Sing Road, Tu-Cheng Industrial Zone,
Tu-Cheng City, Taipei, Taiwan 23678
Tel: 886-2 2267 7986 / Fax: 886-2 2267 9876
E-Mail: info@gianni.com.tw
Website: gianni.tw
Copyright 2008 Gianni industries, inc. All rights reserved.
DM-CA-10003F Ver. C Published on 2008.05.12



The products are manufactured under an ISO 9001 & QC 080000 Certified Quality Management Program environment back its product quality, performance and commitment to customer satisfaction.

Free Manuals Download Website

<http://myh66.com>

<http://usermanuals.us>

<http://www.somanuals.com>

<http://www.4manuals.cc>

<http://www.manual-lib.com>

<http://www.404manual.com>

<http://www.luxmanual.com>

<http://aubethermostatmanual.com>

Golf course search by state

<http://golfingnear.com>

Email search by domain

<http://emailbydomain.com>

Auto manuals search

<http://auto.somanuals.com>

TV manuals search

<http://tv.somanuals.com>