

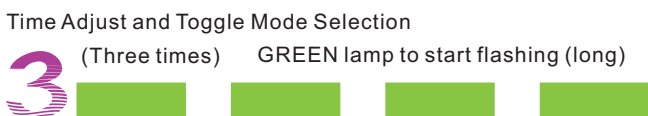
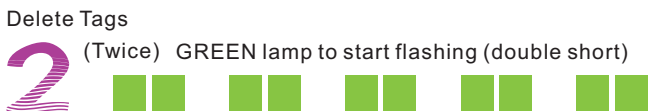
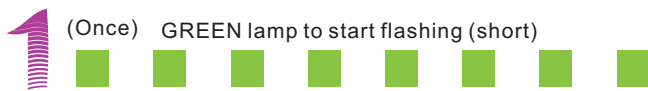
### ● Features

- Simple and quick programming using a Master tag.
- The first Tag presented to the system will be stored in the memory as Master Tag.
- Programming functions:
  - Add Tags
  - Delete Tags
  - Clear Memory (Secure Tag Reader)
  - Adjust/Set Relay operating time
- Lost Tags can be deleted using an optional tag simulator in conjunction with the master tag.
- Controller supports two readers
- Controller can control 2 independent doors or a single door (jumper setting)
- Controller holds up to 2000 tags in non-volatile memory
- Each reader can have its own set of tags or can be set to add tags automatically to both readers.
- The last 2000 transactions stored with date & time stamp in non-volatile memory (only valid transactions)
- Simple logging software to download transaction data and set date & time
- Optional Door Switch will reset door strike relay when the door opens
- Door Reed Switch Input for Anti-Trailing
- Simple installation (3 or 5 wires from reader to controller)

### ● Easy Programming



ADD state



### Free Software !!

The software is required for all programming of the system, downloading transaction and printing Reports.

### ● Statement

The system consists of a controller with relays to operate a single door or two independent doors.

The controller supports two various Secure Tag Reader or two Wiegand devices which can be mounted up to 50 meters from the controller. The Readers are fully potted and suitable for mounting outdoors. Tampering with these readers will not compromise the systems security.

Programming the system is very simple and requires a Master Tag to put the unit into programming mode and then to follow a simple procedure to add or delete cards.

A jumper setting allows tags to be added automatically to both readers or to allow each reader to have its own set of tags.



962  
Controller



- 714-60 Mifare UID Reader (In 26-bit wiegand mode)
- 656-10 125 KHz Secure Tag Reader
- 684-10 125 KHz OEM Reader (In 26-bit wiegand mode)

GIANNI INDUSTRIES, INC.



No. 13, Zhong Sing Road, Tu-Cheng Industrial Zone,  
Tu-Cheng City, Taipei, Taiwan 23678  
Tel: 886-2 2267 7986 / Fax: 886-2 2267 9876  
E-Mail: info@gianni.com.tw  
Website: gianni.tw  
Copyright 2008 Gianni industries, inc. All rights reserved.  
DM-CA-962 EZ-Plus Ver. A Published on 2008.07.22

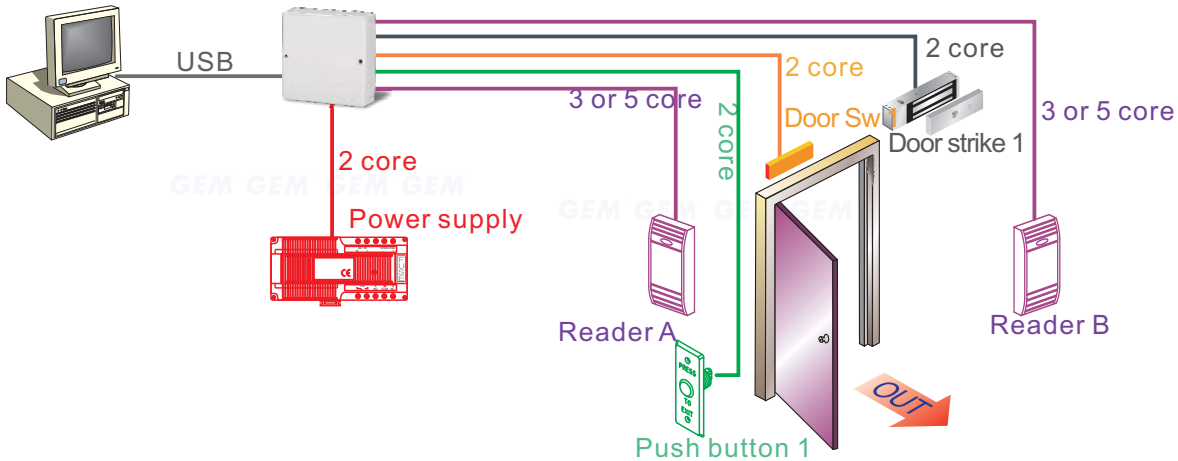


The products are manufactured under an ISO 9001 & QC 080000 Certified Quality Management Program environment back its product quality, performance and commitment to customer satisfaction.

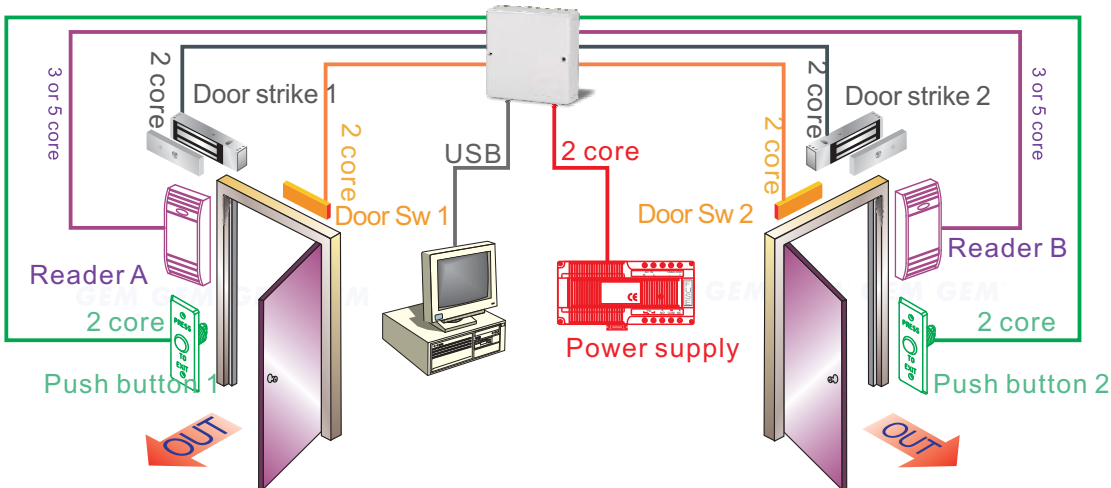
### ● Application

The door relay can be configured to operate in timed or toggle mode. Transactions are stored in the controllers non-volatile memory with a date & time stamp. The simple data logging software provided with the system allows a PC to set the controllers date&time settings and to download the transactions. Wiegand keypads with 26 bit output may be used in place of readers. Both devices must be of the same type i.e. both must be readers or both keypads. Connection to the controller is via USB .

### Single Door System



### Two Door System



Gianni supplies all accessories for access control application including maglock, electric bolt lock, electric strike ,exit button, power supply, prox cards or fobs.

GIANNI INDUSTRIES, INC.



No. 13, Zhong Sing Road, Tu-Cheng Industrial Zone,  
Tu-Cheng City, Taipei, Taiwan 23678  
Tel: 886-2 2267 7986 / Fax: 886-2 2267 9876  
E-Mail: info@gianni.com.tw  
Website: gianni.tw  
Copyright 2008 Gianni industries, inc. All rights reserved.  
DM-CA-962 EZ-Plus Ver. A Published on 2008.07.22



The products are manufactured under an ISO 9001 & QC 080000 Certified Quality Management Program environment back its product quality, performance and commitment to customer satisfaction.

### Specifications

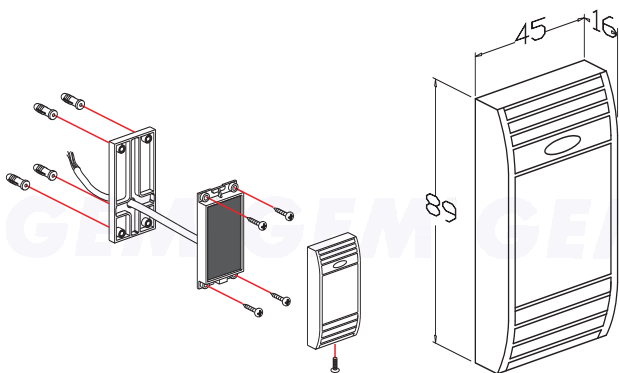
#### Controller

- Unit size: (L/W/H) 125 x 100 x 38 mm
- Operation temperature: -20°C to +70°C
- Operation humidity: 5% - 95% relative humidity (non condensing)
- Voltage: 10 - 14 VDC
- Current (typical):
  - Controller only 15 mA
  - Controller only - both relays active 75 mA
  - Controller with 2 readers and both relays active 200 mA
- Relays (2):
  - Voltage free change over contacts rated:
  - 5A @ 120 VAC and 2.5A @ 240

#### Reader

- Controller compatible with:
  - 656-10 125 KHz Secure Tag Reader
  - 684-10 125 KHz OEM Reader (In 26 bit wiegand mode)
  - 714-60 Mifare UID Readers (In 26 bit wiegand mode)
- Unit size (L/W/H) mm: 89 x 45 x 16 -
- with optional spacer plate 89 x 45 x 23
- Operation temperature: -20°C to +70°C
- Frequency Available in 125 KHz or

### Dimension



Unit: mm

### Optional Accessory

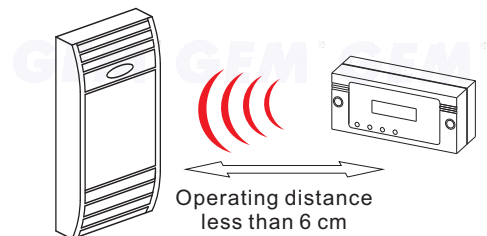
#### Tag Simulator

The Tag Simulator allows adding and removing any tag number from the reader memory when that tag is lost or not available. One unit can be utilized at different sites but for security reasons it will operate only in conjunction with the Master Tag.



TS-980

- Unit size : 120 L x 54 W x 38 H mm
- Weight : 180 g
- Operating distance : less than 60 mm
- Battery : PP3 - 9V



The Tag Simulator can only be used with the Secure reader (656-10 Secure Tag Reader)

### Warranty

The product is warranted against defects in material and workmanship while used in normal service for a period of 1 year from the date of sale to the original customer. The GEM policy is one of continual development and improvement; therefore GEM reserves the right to change specifications without notice.

## Free Manuals Download Website

<http://myh66.com>

<http://usermanuals.us>

<http://www.somanuals.com>

<http://www.4manuals.cc>

<http://www.manual-lib.com>

<http://www.404manual.com>

<http://www.luxmanual.com>

<http://aubethermostatmanual.com>

Golf course search by state

<http://golfingnear.com>

Email search by domain

<http://emailbydomain.com>

Auto manuals search

<http://auto.somanuals.com>

TV manuals search

<http://tv.somanuals.com>