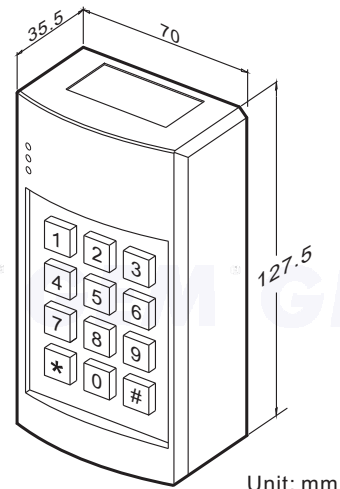




Convenient record listing of the user card and password thru the connection to the PC with USB.

GEM GEM



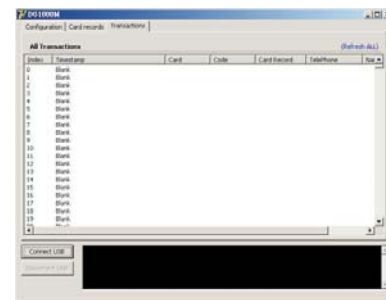
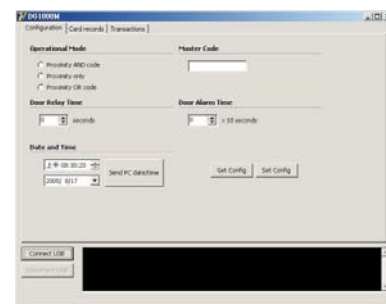
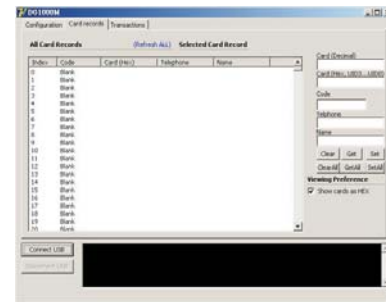
Unit: mm

● Features

- Allows up to 1000 proximity cards and PIN codes
- Tamper switch and alarm buzzer included
- Fully Programmable via keypad and master code
- Access mode selectable:
card only ; card or PIN ; card+PIN
- Logical memory to prevent duplication
- Invalid PIN Lock-out
- Beeper sound gives of keypad composition
- Non-Volatile Memory
- Removable memory chip replacement
- Mifare High Frequency 13.56MHz
- Stand-Alone Proximity Reader with USB Connector
- Software Free of Charge

● Overview

The DG-1000M offers one version request command and two memory exchange commands. These memory commands, used with knowledge of the EEPROM layout, allow almost complete control over configuration, holder and transaction memory. The exception to memory access is the automatically-maintained memory contained within address 0x7000 and 0x8000. This area contains checksums, configuration backups and integrity markers to ensure the validity of data on the unit.



GIANNI INDUSTRIES, INC.

No.306-1, Hsin Shu Road, Hsin Chuang, Taipei, Taiwan 242
 TEL: 886-2-2206 9929 FAX: 886-2-2204 6632
 E-Mail: info@gianni.com.tw
 Website: gianni.tw



The products are manufactured under an ISO 9001 & QC 080000 Certified Quality Management Program environment back its product quality, performance and commitment to customer satisfaction.

● Specifications

- Operating Voltage: DC 12V
- Current Draw: 95~140mA @12VDC
- Relay Electric Current: 2A MAX @30Vdc ; 0.4A @ 120Vac
- Memory Volume: 1000 Proximity cards
- Keyboard: 12 digits keypad (0,9,*,#)
- Transmitting Frequency: 13.56MHz
- Visual Signals: LED (Red/Yellow/Green)
- Relocking timer: 1~99 Seconds
- Case Material: ABS (UL94V0)
- Ambient Humidity: 5%~95%
- Operating Temperature: -20°C~+70°C
- EPROM: Non-volatile memory, System will retain all programs and codes after a total loss of power.

● USB Interface



A device driver has been provided, which when installed will allow low-level communication between the host and the DG-1000M device. This driver has been tested for Windows 2000 and Windows XP. A high level COM interface is also provided which must be registered with Windows. This is a high-level interface, and provides for easy access using application software like Borland Delphi, Microsoft Visual Basic and any others which support the Microsoft Windows COM technology.

● Warranty

The product is warranted against defects in material and workmanship while used in normal service for a period of 1 year from the date of sale to the original customer. The GEM policy is one of continual development and improvement; therefore GEM reserves the right to change specifications without notice.

GIANNI INDUSTRIES, INC.

No.306-1, Hsin Shu Road, Hsin Chuang, Taipei, Taiwan 242
TEL: 886-2-2206 9929 FAX: 886-2-2204 6632
E-Mail: info@gianni.com.tw
Website: gianni.tw

Copyright © 2008 Gianni industries, inc. All rights reserved.
DM-CA-DG-1000M Ver. C Published on 2008.05.05



The products are manufactured under an ISO 9001 & QC 080000 Certified Quality Management Program environment back its product quality, performance and commitment to customer satisfaction.

Free Manuals Download Website

<http://myh66.com>

<http://usermanuals.us>

<http://www.somanuals.com>

<http://www.4manuals.cc>

<http://www.manual-lib.com>

<http://www.404manual.com>

<http://www.luxmanual.com>

<http://aubethermostatmanual.com>

Golf course search by state

<http://golfingnear.com>

Email search by domain

<http://emailbydomain.com>

Auto manuals search

<http://auto.somanuals.com>

TV manuals search

<http://tv.somanuals.com>