

● Features

- 4 digit codes
- Door Reed Switch Input for Anti-Trailing
- Durable Stainless Steel Faceplate
- 10 user PINs
- Fully Programmable via keypad and master code
- Non-Volatile Memory
- Invalid PIN Lock-out
- Optional With Luminous Keypad

● Specifications

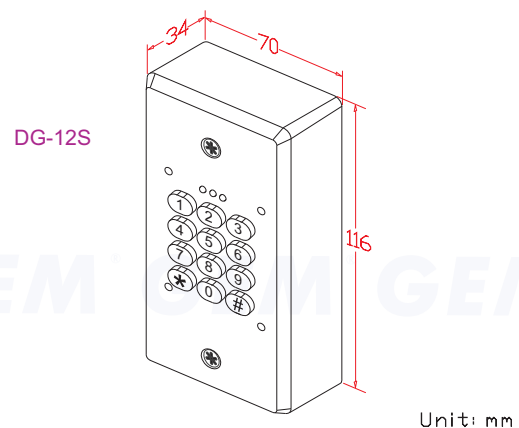
- Operating Voltage: 9~14 Vdc
- Current Draw: Average 30mA, Peak 80mA @ 12Vdc
- Input: One request-to-exit, and time out reed switch contact
- Relays: N.O./N.C./Com. Output (free voltage contact), 3A@125Vac or 30Vdc
- Operating Temperature: -20~+70C
- Ambient Humidity: 0~95% relative humidity non-condensing
- Visual Signals:
 - Green: Power on
 - Red: Relay activated
 - Yellow: Program Mode Lock-out
- Factory Master Code: 1234
- Invalid PIN Lockout: System will shut down 60 seconds while 6 times of incorrectly password attempted.
- Relay Activation Time: (*20)
 - Pulse mode: 1~99 seconds(01~99)
 - Latching mode (00)
- EPROM: Non-volatile memory, System will retain all programs and codes after a total loss of power.
- User PINs: (*01~*10) It is possible to program 10 different User PIN codes.

● Statement

Digital code-operated for indoor access control keypad with up to 10 individual user PIN codes, suitable for small and medium-size businesses, multi-tenant residential and commercial buildings, as well as clinics and health facilities.

The door reed switch input is used to time out the timer when door is moved for Anti-Trailing. User access PINs ensure that all functions controlled to authorized persons only. It mounts to ANSI single-gang electrical box or directly to any wall.

Logical memory can prevent unauthorized persons from gaining PIN code entry by trial and error, host will shut down 60 seconds while 6 times of incorrectly password applied which would eliminate any random application of card ID code transmission.



● Warranty

The product is warranted against defects in material and workmanship while used in normal service for a period of 1 year from the date of sale to the original customer. The GEM policy is one of continual development and improvement; therefore GEM reserves the right to change specifications without notice.

GIANNI INDUSTRIES, INC.

No. 13, Zhong Sing Road, Tu-Cheng Industrial Zone,
Tu-Cheng City, Taipei, Taiwan 23678
Tel: 886-2 2267 7986 / Fax: 886-2 2267 9876
E-Mail: info@gianni.com.tw
Website: gianni.tw
Copyright 2008 Gianni industries, inc. All rights reserved.
DM-CA-DG-12 Ver. E Published on 2008.08.04



The products are manufactured under an ISO 9001 & QC 080000 Certified Quality Management Program environment back its product quality, performance and commitment to customer satisfaction.

Free Manuals Download Website

<http://myh66.com>

<http://usermanuals.us>

<http://www.somanuals.com>

<http://www.4manuals.cc>

<http://www.manual-lib.com>

<http://www.404manual.com>

<http://www.luxmanual.com>

<http://aubethermostatmanual.com>

Golf course search by state

<http://golfingnear.com>

Email search by domain

<http://emailbydomain.com>

Auto manuals search

<http://auto.somanuals.com>

TV manuals search

<http://tv.somanuals.com>