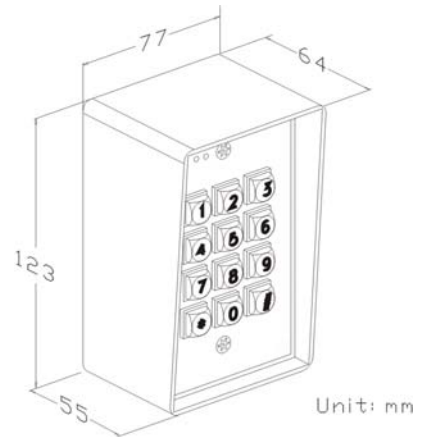


## DG-15 series Digital Keypad Entry system Operation User's Manual

### 1. Specifications:

- ◆ Operating Voltage: 12 Vdc
- ◆ Current Draw: Average 15mA, Peak 100mA @ 12Vdc
- ◆ Input: request-to-exit, time out reed switch contact
- ◆ Output: Dual relays, N.O./N.C./Com. Output (free voltage contact)
- ◆ Relays Electric Current: 2A MAX @30Vdc ; 0.4A @ 120Vac
- ◆ Relay Activation Time:
  - Relay 1 time delay setting code 「 \*30 」 、 Relay 2 setting code 「 \*31 」
  - Strike Time: 1~99 seconds ( adjustable )
  - Strike mode: Access Timer or Latch
- ◆ Memory Volume: 20+1 PIN codes
  - Relay 1 is controlled by \*01~\*20 user slots
  - Relay 2 is controlled by \*21 user slots
- ◆ Operating Temperature: -20~+70°C
- ◆ Ambient Humidity: 5~95% relative humidity non-condensing
- ◆ Factory Master Code: 12345
- ◆ Invalid PIN Lock-out: The system will shut down for 60 seconds while 30 codes of incorrectly Master Codes enrolled or PIN codes attempted ( None beeper signal of keypad activations ) .
- ◆ EPROM: Non-volatile memory, System will retain all programs and codes after a total loss of power.
- ◆ The indicator signal chart:



LED signal		Sound signal	
Green LED	Power on, stand-by	1 Beep	Effective PIN codes 、 Any key pressed
Red LED	Relay 1 activated	2 Beeps	Entering 、 Exiting from the Program mode
Yellow LED	Relay 2 activated	3 Beeps	Data computing error
		5 Beeps	Master Code reset to Factory ( 12345 )

### 2. Operation Instruction:

- ◆ Enter Program Mode:
  1. Compose twice the master code (4 digit format press 「 1234 」 、 5 digit format press 「 12345 」 ) → 2 beeps → you are now in the "programming mode".
  2. After 60 seconds if you have not entered any codes or data, the system will automatically exit from the programming mode.
- ◆ Exiting from the program mode:
  1. Press 「 # 」 to exit from the programming mode.
  2. After 30 wrong codes attempts at the master code the lockout facility will operate.
- ◆ Add PIN codes
 

Enter the Programming mode, Enter the slot position code 「 \*01~\*20 」 →????? Input 5 digit ( or 4 digit ) PIN codes→ (beep) enrolled → ( repeat )

Press 「 # 」 to exit from the programming mode, or program other operating.

**Note 1:** The codes 「 0000 」 , 「 00000 」 , 「 1234 」 , 「 12345 」 or master code are not be used for PIN code.

**Note 2:** Relay 2 is controlled by \*21 user slots
- ◆ To Delete a User Code :

Enter the Programming mode→ Press the slot position code of your choice to delete (example "06") →Press 「 \*06 」 → 「 0000 」 (or 「 00000 」) → (beep) →delete→ Press 「 # 」 to exit from the programming mode, or programming other operating.

◆ **To Program Relocking Timer**

Enter the Programming mode,

- A. Relay 1 : Press 「 \*30 」 Followed by the number of seconds the relay should open → 「 05 」 =5 seconds (01 ~99 = seconds, 「 00 」 Sets the relay to latching mode) → (beep) →enrolled → Press 「 # 」 to exit from the programming mode, or program other operating.
- B. Relay 2 : Press 「 \*31 」 Followed by the number of seconds the relay should open) → 「 05 」 =5 seconds (01 ~99 = seconds, 「 00 」 Sets the relay to latching mode). → (beep) →enrolled → Press 「 # 」 to exit from the programming mode, or program other operating.
- C. Latching mode: Correct code entered opens the relay, and the relay stays open until the correct code is entered again.

◆ **Changing the Master codes:**

Enter the Programming mode, Enter 「 \*00 」 Followed by the new 4 digit (or 5 digit) master code→ (beep) →enrolled→Enter 「 # 」 to exit from the programming mode, or program other operating.

◆ **Reset to Factory**

■ **Master Code reset to Factory 「 12345 」**

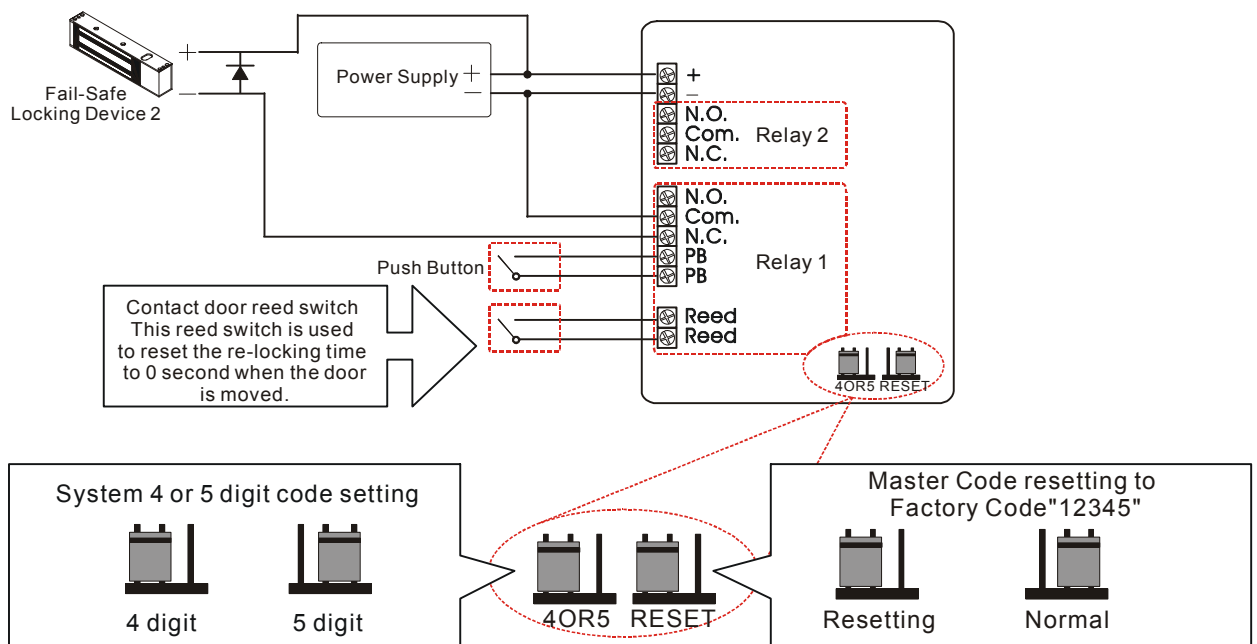
Insert the jumper RESET→ [1-2] position→5 audible beeps→Reset successful→ Return Insert the jumper to 2-3 position

■ **Remove all stored information**

Insert the jumper RESET→ [1-2] position→5 audible beeps→ Master Code reset to Factory 「 12345 」 → after 5 seconds→5 audible beeps→ Remove all stored information → Return Insert the jumper to 2-3 position.

**Note:** If you only wish to reset the Master Code to the Factory default, remove the jumper after exactly 5 audible beeps, otherwise all cards / codes will be deleted.

3. Wiring diagram:



Note:

- ◆ The suggested wire gauge is #22~26 AWG.
- ◆ The varistor or diode must be connected across the lock terminal (electromagnet...) operated by the device. The varistor controls the overload produced by the strike coil (EMP).
- ◆ Egresses switch should be N.O. type.
- ◆ REED contact input for anti-trailing ( Relay 1 ) . Contact door reed switch, this reed switch is used to reset the re-locking time to 0 second when the door is moved. Using N.O. contact in case of door closed changeover to N.C. When door is moved.

## Free Manuals Download Website

<http://myh66.com>

<http://usermanuals.us>

<http://www.somanuals.com>

<http://www.4manuals.cc>

<http://www.manual-lib.com>

<http://www.404manual.com>

<http://www.luxmanual.com>

<http://aubethermostatmanual.com>

Golf course search by state

<http://golfingnear.com>

Email search by domain

<http://emailbydomain.com>

Auto manuals search

<http://auto.somanuals.com>

TV manuals search

<http://tv.somanuals.com>