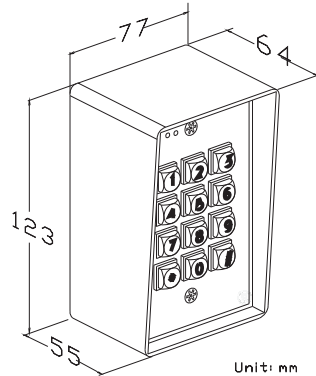


Additional LED functions for DG-15 and DG-25 Digital Keypad Series. Back Light keypads visible in the dark which you won't have trouble locating the control panel in the dark room. Upgrade the quality of Access Control System with the new updated design.



DG-15LD



### ● Features

- 4 or 5 digit codes programmable
- Allows up to 20+1 PIN codes
- Dual Relays output for multi-control
- Door Reed Switch Input for Anti-Trailing
- Fully Programmable via keypad and master code
- 3 LED display with Audible indication
- Invalid PIN Lock-out
- Metal casing housing
- With Vandal Resistant Screws

### ● Specifications

- Operating Voltage: 12 Vdc
- Current Draw: Average 15mA, Peak 100mA @ 12Vdc
- Input: request-to-exit, time out reed switch contact
- Output: Dual relays, N.O. / N.C. / Com. Output (free voltage contact)
- Relays Electric Current: 2A MAX @30Vdc; 0.4A @ 120Vac
- Relay Activation Time:
  - Relay 1 time delay setting code: \*30
  - Relay 2 setting code: \*31
  - Strike Time: 1~99 seconds
  - Strike mode: Access Timer or Latch
- Memory Volume: 20+1 PIN codes
  - Relay 1 is controlled by 01~20user slots
  - Relay 2 is controlled by \*21 user slots
- Operating Temperature: -20~+70C
- Ambient Humidity: 5~95% relative humidity non-condensing
- Factory Master Code: 12345
- Invalid PIN Lock-out: The system will shut down for 60 seconds while 30 codes of incorrectly Master Codes enrolled or PIN codes attempted (None beeper signal of keypad activations).
- EPROM: Non-volatile memory, System will retain all programs and codes after a total loss of power.

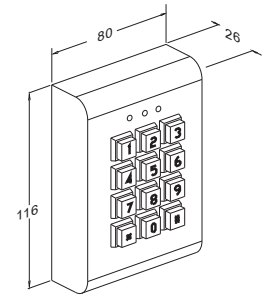


GIANNI INDUSTRIES, INC.

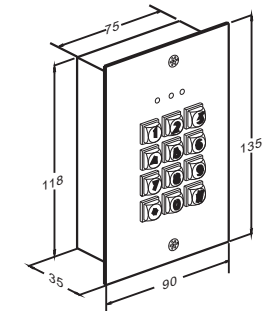
No. 13, Zhong Sing Road, Tu-Cheng Industrial Zone,  
Tu-Cheng City, Taipei, Taiwan 23678  
Tel: 886-2 2267 7986 / Fax: 886-2 2267 9876  
E-Mail: info@gianni.com.tw  
Website: gianni.tw  
Copyright 2008 Gianni industries, inc. All rights reserved.  
DM-CA-Keypad-LED Ver. A Published on 2008.08.01



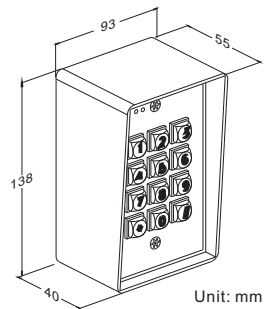
DG-25LD (Surface Mount)



DG-26LD (Flush Mount)



DG-27LD (Surface Mount)



### ● Features

- Allows up to 49+50 PIN codes
- Dual relays output for multi-control
- Door Reed Switch Input for Anti-Trailing
- Fully Programmable via keypad and master code
- 3 LED display with audible indication
- Non-Volatile Memory
- Invalid PIN Lock-out
- Durable Stainless Steel housing
- With vandal resistant screws
- Optional with Water-proof Keypad

### ● Warranty

The product is warranted against defects in material and workmanship while used in normal service for a period of 1 year from the date of sale to the original customer. The GEM policy is one of continual development and improvement; therefore GEM reserves the right to change specifications without notice.



The products are manufactured under an ISO 9001 & QC 080000 Certified Quality Management Program environment back its product quality, performance and commitment to customer satisfaction.

## Free Manuals Download Website

<http://myh66.com>

<http://usermanuals.us>

<http://www.somanuals.com>

<http://www.4manuals.cc>

<http://www.manual-lib.com>

<http://www.404manual.com>

<http://www.luxmanual.com>

<http://aubethermostatmanual.com>

Golf course search by state

<http://golfingnear.com>

Email search by domain

<http://emailbydomain.com>

Auto manuals search

<http://auto.somanuals.com>

TV manuals search

<http://tv.somanuals.com>