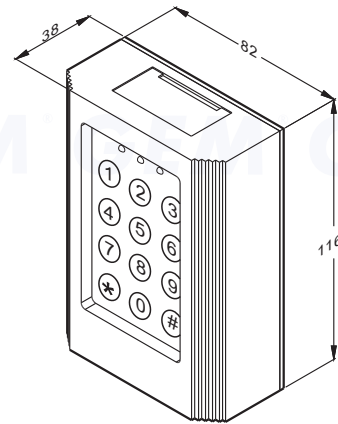




Dimension



Unit: mm

Features

- ✓ **Touch Panel Keypad No Mechanical Key Board**
- ✓ **Allows up to 49+50 PIN codes**
- ✓ **Dual relays output for multi-control**
- ✓ **Door Reed Switch Input for Anti-Tailgating**
- ✓ **Fully Programmable via keypad and master code**
- ✓ **3 LED display with audible indication**
- ✓ **Non-Volatile Memory**
- ✓ **Invalid PIN Lock-out**
- ✓ **Metal die casting housing**
- ✓ **With vandal resistant screws**

Statement

The DK-502 is a dual relay digital code-operated for access control keypad with up to 49+50 individual user PINs, user access PINs ensure that all functions controlled to authorized persons only. The door reed switch Input is used to time out the timer when door is moved for Anti-Trailing. The touch panel keypad is a new generation version of keypad with twelve sense buttons. It offers a key beep function with back light in order to provide its users with ease of use in the dark.

Logical memory can prevent unauthorized persons from gaining PIN code entry by trial and error. The system will shut down for 60 seconds while 32 codes of incorrectly Master Codes enrolled or PIN codes attempted (None beeper signal of keypad activations). Metal die casting housing with vandal resistant screws to seize every security measure of the unit; an elegant contour dedicated with fashion coating which leads DK-502 for matching up-to-dated door stile for compensable application to the worldwide trend. The DK-502 is highly reliable, warranted for life and capable of providing the best read range in its class.

Specifications

- Operating Voltage: 9~12 Vdc/ac
- Current Draw: Average 15mA, Peak 60mA @ 12Vdc
- Input: request-to-exit, time out reed switch contact
- Output: Dual relays, N.O./N.C./Com. Output (free voltage contact)
- Relays Electric Current: 2A MAX @30Vdc, 0.4A @ 120Vac
- Relay Activation Time: (* 100 ~ * 200)
Strike Time: 1~99 seconds
Strike mode: Access Timer or Latch
- Memory Volume: 49+50 PIN codes
Relay 1 is controlled by 001~049 user slots
Relay 2 is controlled by 050~099 user slots
- PIN codes: 5 digit codes only
- Operating Temperature: -20~+70°C
- Ambient Humidity: 5~95% relative humidity non-condensing
Factory Master Code: 12345
- Invalid PIN Lock-out: The system will shut down for 60 seconds while 32 codes of incorrectly Master Codes enrolled or PIN codes attempted (None beeper signal of keypad activations)
- EPROM: Non-volatile memory, System will retain all programs and codes after a total loss of power.
- Color: Beige White

Warranty

The product is warranted against defects in material and workmanship while used in normal service for a period of 1 year from the date of sale to the original customer. The GEM policy is one of continual development and improvement; therefore GEM reserves the right to change specifications without notice.

GIANNI INDUSTRIES, INC.

No. 13, Zhong Sing Road, Tu-Cheng Industrial Zone,
Tu-Cheng City, Taipei, Taiwan 23678
Tel: 886-2 2267 7986 / Fax: 886-2 2267 9876
E-Mail: info@gianni.com.tw
Website: gianni.tw
Copyright © 2008 Gianni industries, inc. All rights reserved.
DM-CA-DK-502 Ver.E Published on 2008.08.04



The products are manufactured under an ISO 9001 & QC 080000 Certified Quality Management Program environment back its product quality, performance and commitment to customer satisfaction.

Free Manuals Download Website

<http://myh66.com>

<http://usermanuals.us>

<http://www.somanuals.com>

<http://www.4manuals.cc>

<http://www.manual-lib.com>

<http://www.404manual.com>

<http://www.luxmanual.com>

<http://aubethermostatmanual.com>

Golf course search by state

<http://golfingnear.com>

Email search by domain

<http://emailbydomain.com>

Auto manuals search

<http://auto.somanuals.com>

TV manuals search

<http://tv.somanuals.com>