



Statement

The EB-200N electric dropbolt is one of the most economical choices and it also has a complete optional accessories included. The EB-200N electric dropbolts are available in 32 mm and 38 mm wide faceplates. For the surface mount application, it can be used with SMB-200N surface mount back case. Also, after the door installs with the UBK-200N-

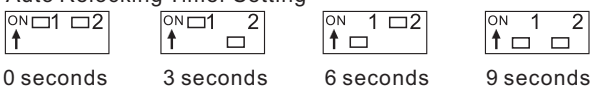
Specifications

- Fail-Safe Version (Power to Lock)
- Power Input: 12 V DC
- Voltage Tolerance: 10%
- Current Draw:
Pull in: 0.9A, Holding: 0.3A@12V DC (at temperature 20°C)
- Door Position status output (Reed rated 0.25A@30VDC) indicates door opened or closed status.
- Operating Temperature: -10~+45°C
- Humidity: 0~95% non-condensing.
- Lock's surface Temperature (when the power is on): <current temperature +20°C
- Tested to 500000 cycles.
- Auto-relocking Time Delay : 0, 3 ,6 ,9seconds
- Weight (Approx.): 1.2 Kg

Lock Delay Settings

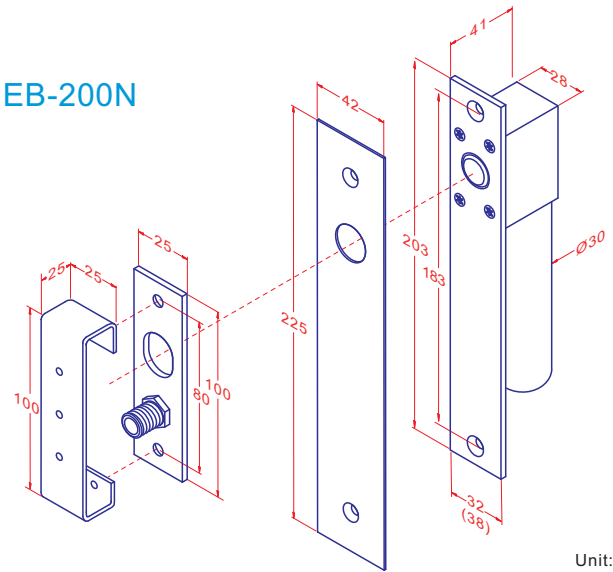
The door locking delay is the time between the door being closed and the bolt engaging . This can be set to up to 9 seconds at 3 second intervals by adjusting the jumpers.

Auto Relocking Timer Setting

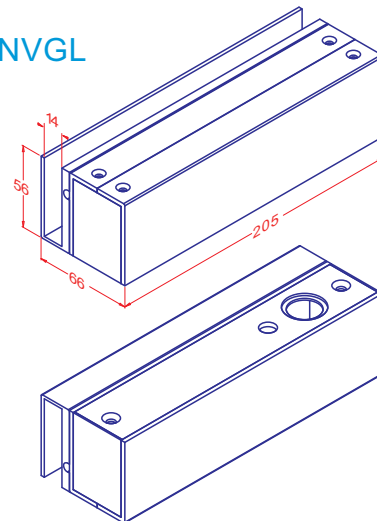


Dimension

EB-200N

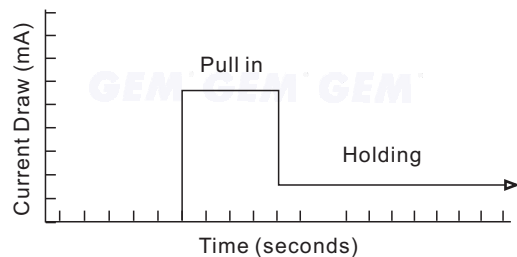


EB-200NVGL



Clamp Design

When the bolt is extended to keep the door locked, it draws only 0.3A in a holding mode down from 0.9A while the bolt is retracted. This design both protects the power supply and extends the life of the electric dropbolt.



GIANNI INDUSTRIES, INC.

No. 13, Zhong Sing Road, Tu-Cheng Industrial Zone,
Tu-Cheng City, Taipei, Taiwan 23678
Tel: 886-2 2267 7986 / Fax: 886-2 2267 9876
E-Mail: info@gianni.com.tw
Website: gianni.tw
Copyright © 2008 Gianni industries, inc. All rights reserved.
DM-CA-EB-200N Ver. E Published on 2008.10.20

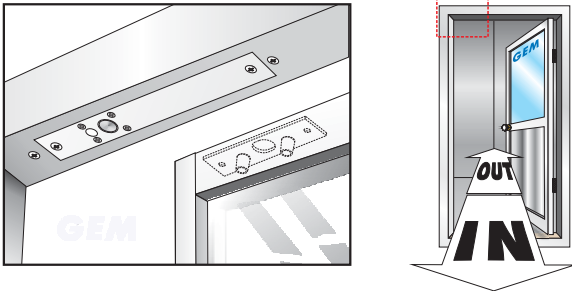


The products are manufactured under an ISO 9001 & QC 080000 Certified Quality Management Program environment back its product quality, performance and commitment to customer satisfaction.

● Horizontal or vertical installation

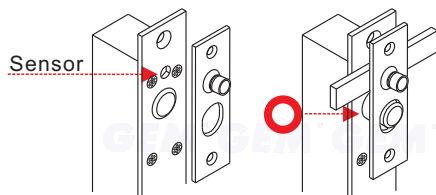
GEM's electric dropbolts can be installed either horizontally at the top or bottom of the door frame or vertically on the side of the door frame.

Horizontal Installation
(Frame Header)



● Smart Circuitry

The vandal resistant circuitry means the door close sensor can't be fooled into projecting the electric dropbolt unless the door is actually closed. The reed sensor automatically disconnects after the bolt is projected to enhance security of the lock.



● Solid bolt for superior strength

Greater security is provided by the 13.5mm diameter (16mm bolt throw) solid stainless steel bolt with hardened magnet core, which has resistant to metal cutting saws. The bolt also rotates freely, making attempts to tamper or cut extremely difficult.

● Long life solenoids

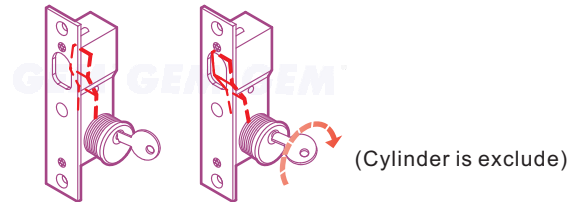
Special designed solenoid for strength and long life operating lifetime with guaranteed 500,000 operations.

● Warranty

The product is warranted against defects in material and workmanship while used in normal service for a period of 1 year from the date of sale to the original customer. The GEM policy is one of continual development and improvement; therefore GEM reserves the right to change specifications without notice.

● Optional Accessory

The KR-140 Key Unlatches are also available to install together with Electric Dropbolt Locks, which provide the emergency manual release capability to prevent any unpredictable circumstances that disabled the Electric Dropbolt Locks.

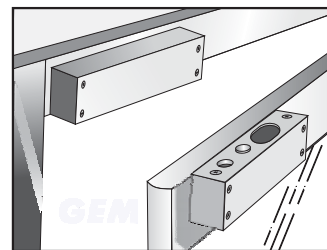


● Optional Brackets

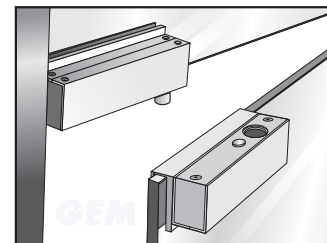


The unit may also be fitted semi-flush with the use of the SMB-200N completed housing. Or the EB-200N may also be fitted to a full glass door and glass frame application, using 2pcs of the SMB-200 Bracket and 2pcs of the UBK-200N-38 mounting brackets (EB-200NVGL). The thickness of glass are 14 mm maximum.

Surface Installation



Installation on Full Frameless Glass Door



GIANNI INDUSTRIES, INC.

No. 13, Zhong Sing Road, Tu-Cheng Industrial Zone,
Tu-Cheng City, Taipei, Taiwan 23678
Tel: 886-2 2267 7986 / Fax: 886-2 2267 9876
E-Mail: info@gianni.com.tw
Website: gianni.tw
Copyright 2008 Gianni industries, inc. All rights reserved.
DM-CA-EB-200N Ver. E Published on 2008.10.20



The products are manufactured under an ISO 9001 & QC 080000 Certified Quality Management Program environment back its product quality, performance and commitment to customer satisfaction.

Free Manuals Download Website

<http://myh66.com>

<http://usermanuals.us>

<http://www.somanuals.com>

<http://www.4manuals.cc>

<http://www.manual-lib.com>

<http://www.404manual.com>

<http://www.luxmanual.com>

<http://aubethermostatmanual.com>

Golf course search by state

<http://golfingnear.com>

Email search by domain

<http://emailbydomain.com>

Auto manuals search

<http://auto.somanuals.com>

TV manuals search

<http://tv.somanuals.com>