

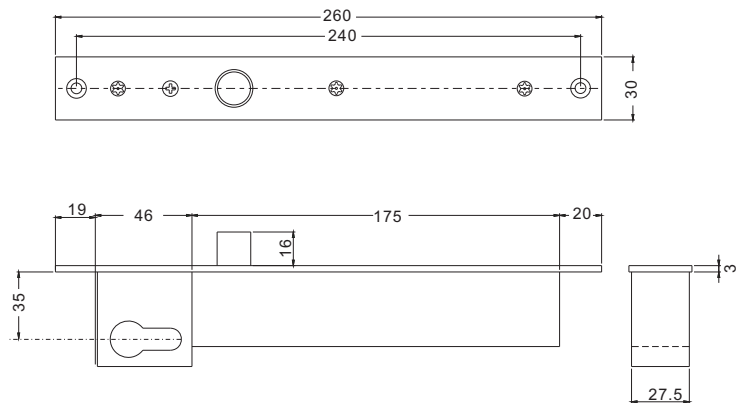
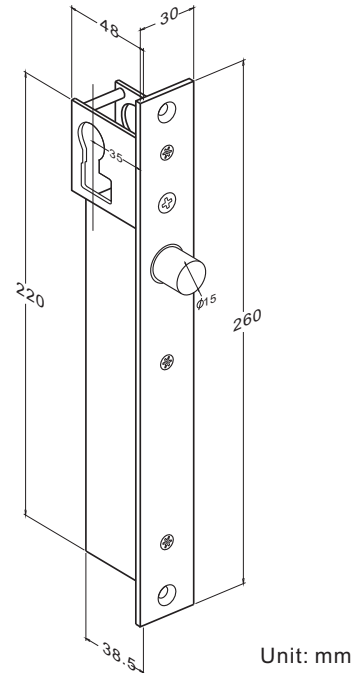


EB-260 electric deadbolt incorporates mechanic cylinder to operate manual lock/unlock if power is failure for safety.

### ● Specifications

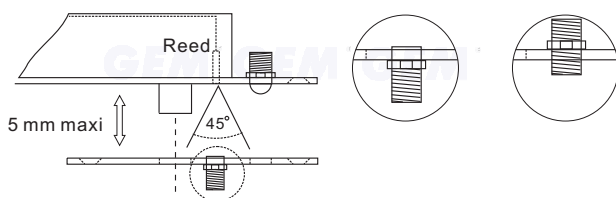
- Fail-Secure Version (Power to Open)
- Power Input: 12~28 V DC
- Voltage Tolerance: 10%
- Current Draw:  
Pull in: 1.0A, Holding: 0.3A@12V DC (at temperature 20°C)
- Operating Temperature: -10~+45C
- Humidity: 0~95% non-condensing.
- Lock's surface Temperature (when the power is on): <current temperature +20C
- Tested to 500000 cycles.
- Face Plate Material: stainless steel
- Auto-relocking Time Delay : 3, 8 , 15 , 25 seconds
- Weight )Approx.(: 1.3 Kg

### ● Dimension



### ● Adjustable Sensor

The door close sensor can work up to a range of 5mm. If there is a wide door gap, a sensor magnet within the strike plate of the door can be adjusted to improve sensor accuracy.



### ● Solid bolt for superior strength

Greater security is provided by the 13.5mm diameter (16mm bolt throw) solid stainless steel bolt with hardened magnet core, which has resistant to metal cutting saws. The bolt also rotates freely, making attempts to tamper or cut extremely difficult.

### GIANNI INDUSTRIES, INC.

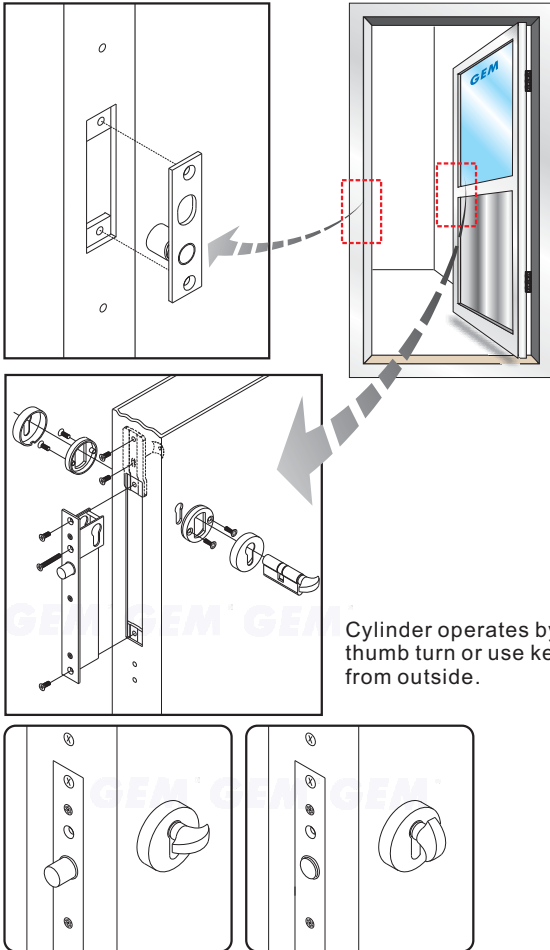
No. 13, Zhong Sing Road, Tu-Cheng Industrial Zone,  
Tu-Cheng City, Taipei, Taiwan 23678  
Tel: 886-2 2267 7986 / Fax: 886-2 2267 9876  
E-Mail: info@gianni.com.tw  
Website: gianni.tw  
Copyright © 2008 Gianni industries, inc. All rights reserved.  
DM-CA-EB-260 Ver. D Published on 2008.10.20



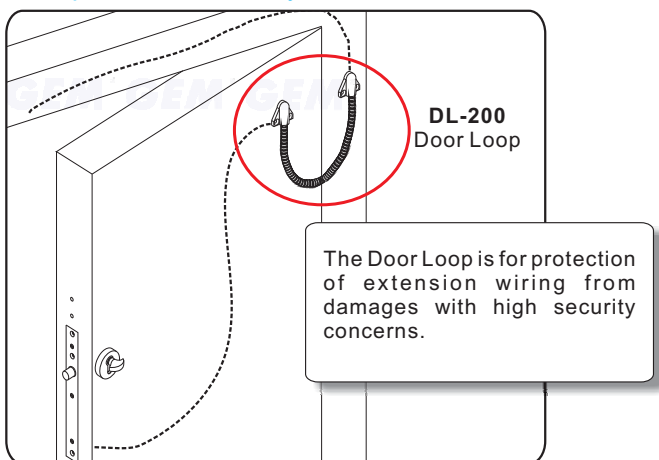
The products are manufactured under an ISO 9001 & QC 080000 Certified Quality Management Program environment back its product quality, performance and commitment to customer satisfaction.

### ● Door Leaf flush installation

EB-260 electric deadbolt incorporates mechanic cylinder to operate manual lock/unlock if power is failure for safety, or vertically on the side of the door or doorframe .



### ● Optional Accessory

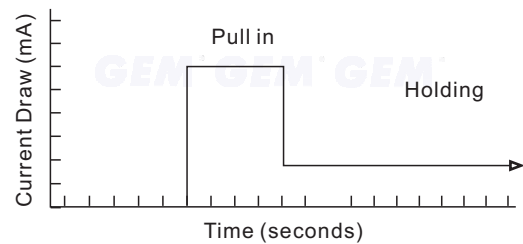


### ● Long life solenoids

Special designed solenoid for strength and long life operating lifetime with guaranteed 500,000 operations.

### ● Clamp Design

When the bolt is extended to keep the door locked, it draws only 0.3A in a holding mode down from 0.9A while the bolt is retracted. This design both protects the power supply and extends the life of the electric dropbolt.

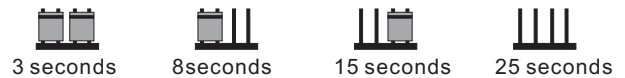


### ● 12 to 28V DC self-regulating

The Electric Deadbolt Lock offers 12/24 VDC dual input voltage with self-regulation feature.

### ● Lock Delay Settings

Use jumpers to adjust the time between 3 to 25 seconds for door locking time delay. This is the time, which takes the Deadbolt to automatically lock after the door is closed.



### ● Warranty

The product is warranted against defects in material and workmanship while used in normal service for a period of 1 year from the date of sale to the original customer. The GEM policy is one of continual development and improvement; therefore GEM reserves the right to change specifications without notice.

## GIANNI INDUSTRIES, INC.

No. 13, Zhong Sing Road, Tu-Cheng Industrial Zone,  
Tu-Cheng City, Taipei, Taiwan 23678  
Tel: 886-2 2267 7986 / Fax: 886-2 2267 9876  
E-Mail: info@gianni.com.tw  
Website: gianni.tw  
Copyright 2008 Gianni industries, inc. All rights reserved.  
DM-CA-EB-260 Ver. D Published on 2008.10.20



The products are manufactured under an ISO 9001 & QC 080000 Certified Quality Management Program environment back its product quality, performance and commitment to customer satisfaction.

## Free Manuals Download Website

<http://myh66.com>

<http://usermanuals.us>

<http://www.somanuals.com>

<http://www.4manuals.cc>

<http://www.manual-lib.com>

<http://www.404manual.com>

<http://www.luxmanual.com>

<http://aubethermostatmanual.com>

Golf course search by state

<http://golfingnear.com>

Email search by domain

<http://emailbydomain.com>

Auto manuals search

<http://auto.somanuals.com>

TV manuals search

<http://tv.somanuals.com>