



EM-150M

EM-150

Statement

EM-150 Electromagnetic Lock is a great lock and a solid option for people who just want a basic and standard electromagnetic lock with Anti-Residual design. The EM-150 is a surface mounted "face to face" electromagnetic locks offering up to 300 pounds holding force which this lock is recommended for minimum security applications only.

It is designed for single out-swing doors. Installation of in-swing door, narrow-style frames and frameless glass door require additional brackets. With the accessories provided, the lock can be used on wooden, glass and even metal door. EM-150M Electromagnetic Lock is the upgraded version of EM-150. The bond sensor and a status LED have been added. The bond sensor is used to indicate the door status as in a locked or unlocked condition.

Specifications

- Voltage Tolerance: 15%
- Current Draw: 420mA@12Vdc, 210mA@24Vdc (at temperature 20C)
- Magnetic bond sensor monitor output (EM-150M): SPDT rated 0.25A@12V DC. LED visual indicator is a visual feedback for user to give the true status of the lock at any time. Green light indicates the door is insecure (unlocked) and the Red light indicates the door is secure (locked).
- Operating Temperature: -10~55C)14~131F(
- Humidity: 0~95% non-condensing.
- Lock's surface Temperature (when the power is on): can not exceed ambient temperature by 20 C.
- Holding Force: Up to 300 lbs)136 Kg(
- Dimensions:
 - Magnet:(L) 200, (W) 35, (D) 24 mm
 - Armature Plate:(L) 152, (W) 32, (D) 10 mm
 - Mounting Plate:(L) 200, (W) 22, (D) 5 mm
- Special Finishes for magnet and armature plate: Zinc
- Epoxy Potting Compound: E87252 (S), UL94V-0
- Weight)Approx.(: 1.5 Kg

Warranty

The product is warranted against defects in material and workmanship while used in normal service for a period of 5 year from the date of sale to the original customer. The GEM policy is one of continual development and improvement; therefore GEM reserves the right to change specifications without notice.

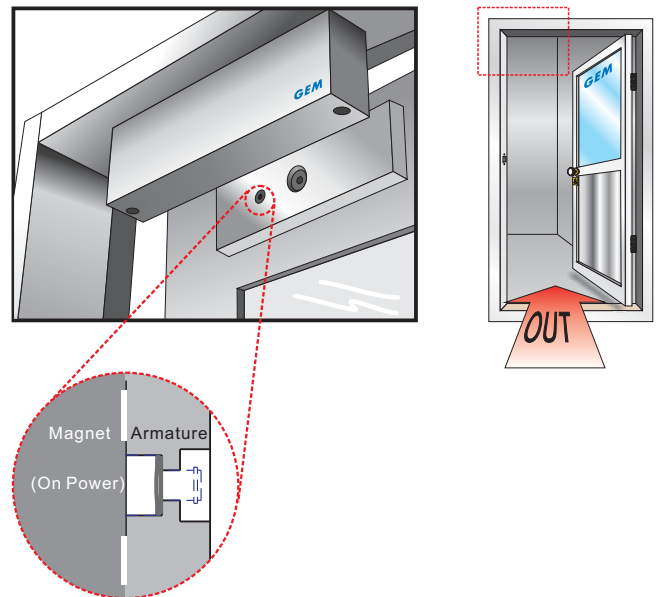
GIANNI INDUSTRIES, INC.

No. 13, Zhong Sing Road, Tu-Cheng Industrial Zone,
Tu-Cheng City, Taipei, Taiwan 23678
Tel: 886-2 2267 7986 / Fax: 886-2 2267 9876
E-Mail: info@gianni.com.tw
Website: gianni.tw
Copyright 2008 Gianni industries, inc. All rights reserved.
DM-CA-EM150 Ver. C Published on 2008.04.28

Features

- Ideal for closet and small filing cabinet
- Fail-safe operation (Power to Lock).
- Five years warranty.
- Anodized aluminum housing.
- Adjustable mounting plate for easy installation.
- Dual voltage 12 or 24 VDC (selectable).
- Anti-Residual magnetism designed.
- Magnet can be select direct or reversible direction installation .

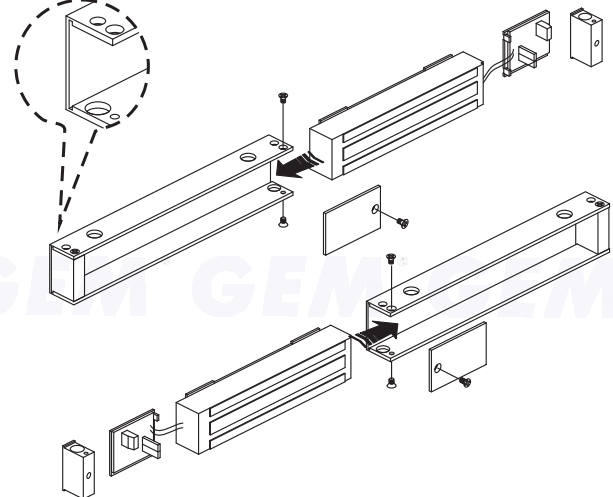
Regular Installation



Unique Anti-Residual design
When the power is switched off, the holding force will be discontinuity and the bolt was installed in armature will pop out immediately. This design enables the door to be opened

Magnet Reversible on site

Magnet can be select direct or reversible direction installation.



The products are manufactured under an ISO 9001 & QC 080000 Certified Quality Management Program environment back its product quality, performance and commitment to customer satisfaction.

Free Manuals Download Website

<http://myh66.com>

<http://usermanuals.us>

<http://www.somanuals.com>

<http://www.4manuals.cc>

<http://www.manual-lib.com>

<http://www.404manual.com>

<http://www.luxmanual.com>

<http://aubethermostatmanual.com>

Golf course search by state

<http://golfingnear.com>

Email search by domain

<http://emailbydomain.com>

Auto manuals search

<http://auto.somanuals.com>

TV manuals search

<http://tv.somanuals.com>