



● Features

- Offers up to 800 LBS Holding Force.
- Full range of optional brackets available.
- Anodized aluminum housing.
- Adjustable mounting plate for easy installation.
- Dual voltage 12 or 24 VDC (selectable).
- Anti-Residual magnetism designed.
- Complete mounting hardware included.

● Statement

The fail-safe Electromagnetic Lock design with no mechanical parts but magnetic force to secure and release the doors, suitable for use in areas which required access controlled or egress such as exit door.

We offers up to 800 pounds holding force with jumper pin selectable for 12V or 24V DC dual input voltage and can be applied with access control, and with the full range of optional brackets, it can be installed on all type of door frames such as Hollow, Wooden and frameless glass door.

It is the best choice for electronic security industry and system integrators. More optional functions are available in EM-350 midi electromagnetic lock series.

● Specifications

- Voltage Tolerance: 15%
- Current Draw: 500mA@12Vdc ,250mA@24Vdc (at temperature 20C)
- Magnetic bond sensor monitor output (EM-350M) (SPDT rated 0.25A@12V DC), remotely monitors the door lock or unlock status. (N.C. Output--Door opened; N.O. Output--Door closed)
- Operating Temperature: -10~55C)14~131F(
- Humidity: 0~95% non-condensing.
- Lock's surface Temperature (when the power is on): <current temperature +20C
- Holding Force: Up to 800 lbs)363 Kg(
- Dimensions:
 - Magnet:(L) 270, (W) 48, (D) 29 mm
 - Armature Plate:(L) 185, (W) 45, (D) 14 mm
 - Mounting Plate:(L) 268, (W) 45, (D) 11 mm
- Special Finishes for magnet and armature plate: Zinc
- Epoxy Potting Compound: E87252 (S), UL94V-0
- Weight)Approx.(: 3.0 Kg

● Operating Features



EM-350M: Bond sensor output & Status LED

Bond sensor is used to indicate the door status as in a locked or unlocked condition. Status LED is a visual feedback for user to give the true status of the lock at any time. Green light indicates the door is insecure

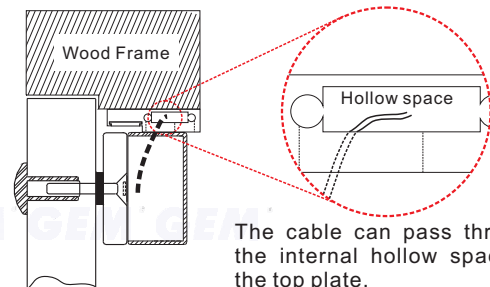
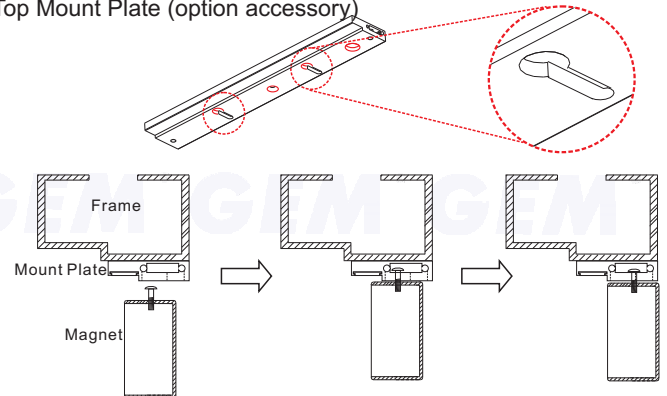
Bond sensor monitor output : SPDT rated: 3A@12VDC

● Optional Accessories

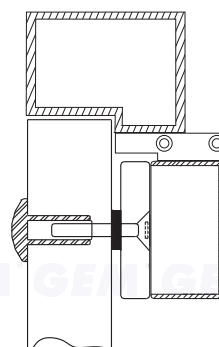
Innovative Top Mount Plate for Easy Installation

The 2 extra innovative holes on the top plate are specially designed to hold the Electromagnet Lock in order to reduce the installment effort and also for safety purpose.

Top Mount Plate (option accessory)



The cable can pass through the internal hollow space of the top plate.



The mounting plate may be extended to the bracket if the door frame is narrow.

GIANNI INDUSTRIES, INC.

No. 13, Zhong Sing Road, Tu-Cheng Industrial Zone,
Tu-Cheng City, Taipei, Taiwan 23678
Tel: 886-2 2267 7986 / Fax: 886-2 2267 9876
E-Mail: info@gianni.com.tw
Website: gianni.tw
Copyright 2008 Gianni industries, inc. All rights reserved.
DM-CA-EM350 Ver. C Published on 2008.04.28



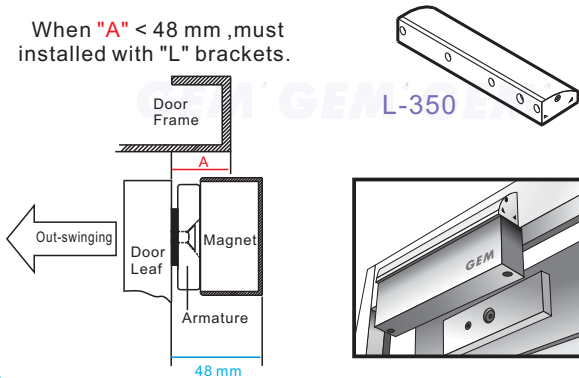
The products are manufactured under an ISO 9001 & QC 080000 Certified Quality Management Program environment back its product quality, performance and commitment to customer satisfaction.

Optional Brackets

The door swinging direction and the door frame header are used to determine whether the bracket is required and this identify is a measure of which brackets is suitable. Our optional brackets include L-bracket, LZ-bracket and U-bracket. (Except 10002BZ)

With L-bracket for narrow door frames

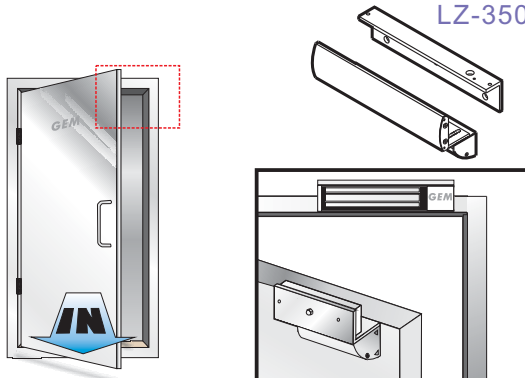
When "A" < 48 mm , must installed with "L" brackets.



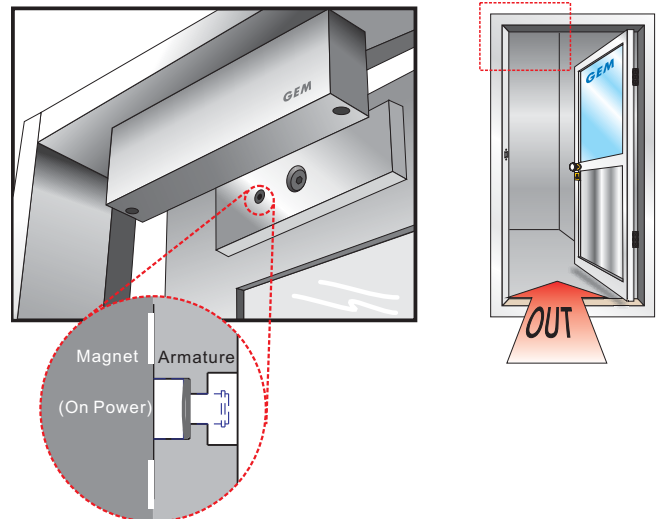
L-350 and LZ-350 brackets can adjust the gap between the Electromagnetic Lock and the Armature plate. The special curve design enhanced the aesthetic appearance of EM-350 on any door frame.

With LZ-bracket for in-swinging doors

LZ-350



Regular Installation

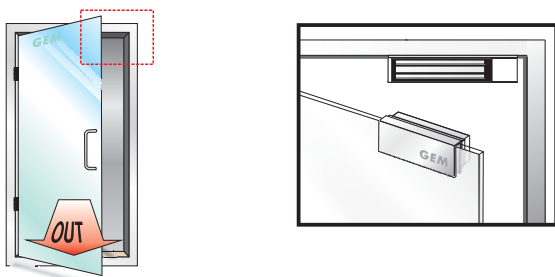


Unique Anti-Residual design

When the power is switched off, the holding force will be discontinuity and the bolt was installed in armature will pop

With U-bracket for frameless glass doors

UBK-010 For 10mm thickness of glass door
UBK-012 For 12mm thickness of glass door



Warranty

The product is warranted against defects in material and workmanship while used in normal service for a period of 5 year from the date of sale to the original customer. The GEM policy is one of continual development and improvement; therefore GEM reserves the right to change specifications without notice.

GIANNI INDUSTRIES, INC.

No. 13, Zhong Sing Road, Tu-Cheng Industrial Zone,
Tu-Cheng City, Taipei, Taiwan 23678
Tel: 886-2 2267 7986 / Fax: 886-2 2267 9876
E-Mail: info@gianni.com.tw
Website: gianni.tw
Copyright 2008 Gianni industries, inc. All rights reserved.
DM-CA-EM350 Ver. C Published on 2008.04.28



The products are manufactured under an ISO 9001 & QC 080000 Certified Quality Management Program environment back its product quality, performance and commitment to customer satisfaction.

Free Manuals Download Website

<http://myh66.com>

<http://usermanuals.us>

<http://www.somanuals.com>

<http://www.4manuals.cc>

<http://www.manual-lib.com>

<http://www.404manual.com>

<http://www.luxmanual.com>

<http://aubethermostatmanual.com>

Golf course search by state

<http://golfingnear.com>

Email search by domain

<http://emailbydomain.com>

Auto manuals search

<http://auto.somanuals.com>

TV manuals search

<http://tv.somanuals.com>