



● Statement

The EX-827 Exit controller is ideally suited to enhance exit doors for airports, shopping malls, department stores where you need to distinguish outgoing individuals under control in well order.

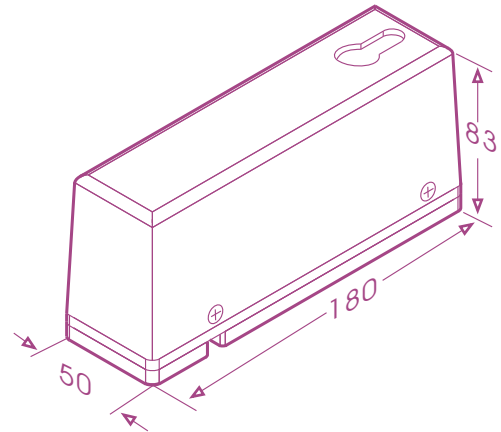
Generally, a single indoors surface mount installation for EX-827 constructed with aluminum-coated housing that can block the lever handle on door site and key override provides convenience to converse underneath the face part either left or right side turn from solely pin to set from product inside. An activation of built-in electronic buzzer operated by 9Vdc alkalized battery that reaches 97 dB wide-loud sound from output frequency 3 KHz+/-0.5KHz, and resettable with manual key switch.

Our unique designed anti-tamper screws on EX-827 to ensure a long endurance and upgrade on EX-827 to keep away vandalism attempting that is what you can not miss!

● Warranty

The product is warranted against defects in material and workmanship while used in normal service for a period of 1 year from the date of sale to the original customer. The GEM policy is one of continual development and improvement; therefore GEM reserves the right to change specifications without notice.

● Dimension



Unit: mm

Key cylinder not included
for demonstration only

● Application



GIANNI INDUSTRIES, INC.



No. 13, Zhong Sing Road, Tu-Cheng Industrial Zone,
Tu-Cheng City, Taipei, Taiwan 23678
Tel: 886-2 2267 7986 / Fax: 886-2 2267 9876
E-Mail: info@gianni.com.tw
Website: gianni.tw
Copyright 2007 Gianni industries, inc. All rights reserved.
DM-CA-EX-827 Ver. C Published on 2008.05.19



The products are manufactured under an ISO 9001 & QC 080000 Certified Quality Management Program environment back its product quality, performance and commitment to customer satisfaction.

Free Manuals Download Website

<http://myh66.com>

<http://usermanuals.us>

<http://www.somanuals.com>

<http://www.4manuals.cc>

<http://www.manual-lib.com>

<http://www.404manual.com>

<http://www.luxmanual.com>

<http://aubethermostatmanual.com>

Golf course search by state

<http://golfingnear.com>

Email search by domain

<http://emailbydomain.com>

Auto manuals search

<http://auto.somanuals.com>

TV manuals search

<http://tv.somanuals.com>