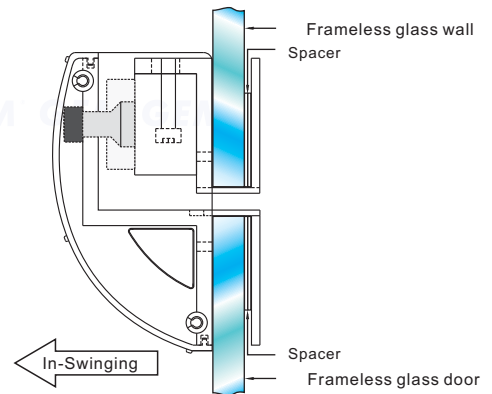
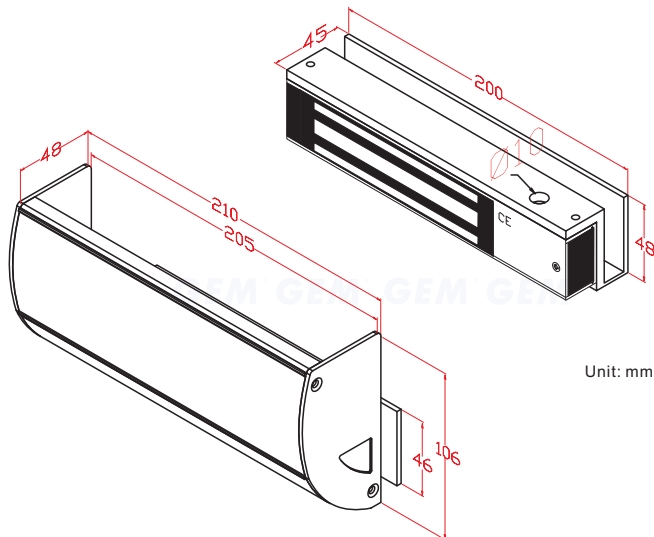
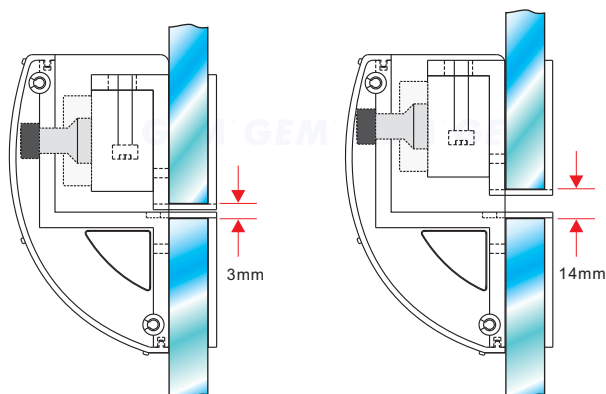


### ● Dimension



The glass thickness is 10~14 mm.



The armature plate can be adjusted depends on the door gap between door and lock, with only 3mm~14mm width of the door gap.

### ● Warranty

The product is warranted against defects in material and workmanship while used in normal service for a period of 5 year from the date of sale to the original customer. The GEM policy is one of continual development and improvement; therefore GEM reserves the right to change specifications without notice.

### GIANNI INDUSTRIES, INC.

No. 13, Zhong Sing Road, Tu-Cheng Industrial Zone,  
Tu-Cheng City, Taipei, Taiwan 23678  
Tel: 886-2 2267 7986 / Fax: 886-2 2267 9876  
E-Mail: info@gianni.com.tw  
Website: gianni.tw  
Copyright 2008 Gianni industries, inc. All rights reserved.  
DM-CA-MG-300LZ Ver. A Published on 2008.10.13



The products are manufactured under an ISO 9001 & QC 080000 Certified Quality Management Program environment back its product quality, performance and commitment to customer satisfaction.



MG-300LZ (Bracket)  
EM-150 (Magnet Lock)



With this, uses this locks will help strengthen its appearance and your door will look beautiful while the value is increased.

### ● Features

- For Frameless glass in-swing door.
- Fail- safe operation ( Power to Lock).
- Five years warranty.
- Anodized aluminum housing.
- MOV provides spike and surge protection.
- Adjustable Armature plate for gap.
- Dual voltage 12 or 24 VDC (selectable).
- Anti-Residual magnetism designed

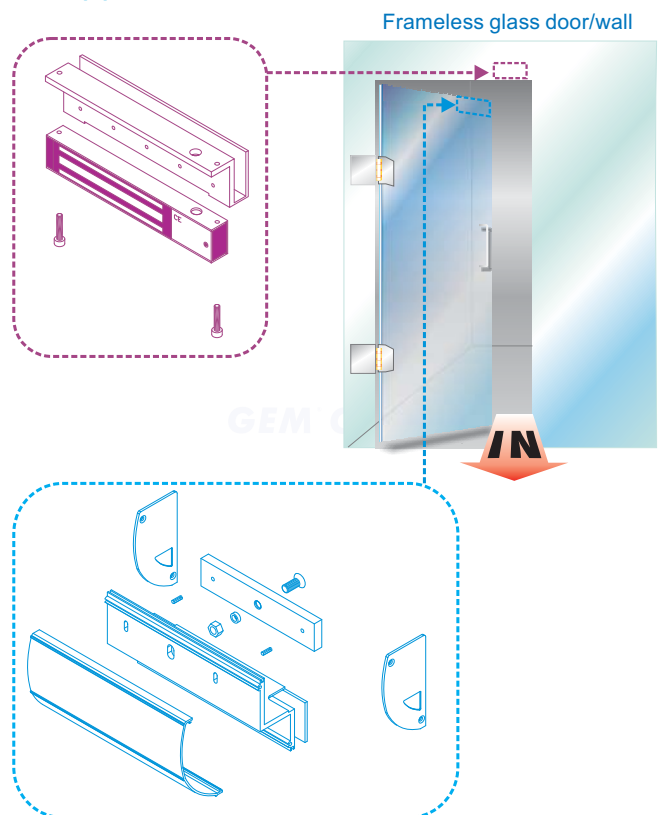
### ● Statement

The unit is designed for use in full frameless glass door applications with a well concealed locking mechanism. With this, uses this locks will help strengthen its appearance and your door will look beautiful while the value is increased. The glass thickness is 10~14 mm. The armature plate can be adjusted depends on the door gap between door and lock, with only 3mm~14mm width of the door gap.

### ● Specifications

- Voltage Tolerance:  $\pm 15\%$
- Current Draw: 500mA@12Vdc ; 250mA@24VDC (at temperature 20C)
- Operating Temperature: -10~55C)14~131F(
- Humidity: 0~95% non-condensing.
- Lock's surface Temperature (when the power is on): can not exceed ambient temperature by 20 C.
- Holding Force: Up to 300 lbs)135 Kg(
- Special Finishes for magnet and armature plate: Zinc
- Epoxy Potting Compound: E87252 (S), UL94V-0
- Weight )Approx.(: 2.5 Kg (Magnet Lock & U-Bracket)

### ● Application



## GIANNI INDUSTRIES, INC.

No. 13, Zhong Sing Road, Tu-Cheng Industrial Zone,  
Tu-Cheng City, Taipei, Taiwan 23678  
Tel: 886-2 2267 7986 / Fax: 886-2 2267 9876  
E-Mail: info@gianni.com.tw  
Website: gianni.tw  
Copyright 2008 Gianni industries, inc. All rights reserved.  
DM-CA-MG-300LZ Ver. A Published on 2008.10.13



The products are manufactured under an ISO 9001 & QC 080000 Certified Quality Management Program environment back its product quality, performance and commitment to customer satisfaction.

## Free Manuals Download Website

<http://myh66.com>

<http://usermanuals.us>

<http://www.somanuals.com>

<http://www.4manuals.cc>

<http://www.manual-lib.com>

<http://www.404manual.com>

<http://www.luxmanual.com>

<http://aubethermostatmanual.com>

Golf course search by state

<http://golfingnear.com>

Email search by domain

<http://emailbydomain.com>

Auto manuals search

<http://auto.somanuals.com>

TV manuals search

<http://tv.somanuals.com>