



FDH electromagnetic lock has been designed to embed the electromagnet in the doorpost and it offers to 600 LBS holding force. The doorpost is installed horizontally on the header of the door-frame. Hence, the doorpost and doorframe will be shaped into one and provides superior appearance.

This series of doorposts are available in 1 meter and 2 meter length. One meter length of door-post is designed for single door applications and two meter length of door-post is designed for double door applications.

Specifications

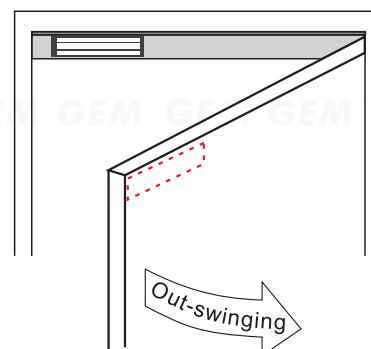
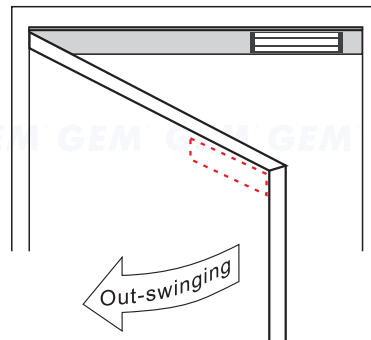
- Voltage Tolerance: 15%
- Current Draw:
FDH-100M: 500mA@12Vdc ,250mA@24Vdc
FDH-200M: 500mA@12Vdc X 2 ,250mA@24Vdc X 2)at temperature 20C(
- Magnetic bond sensor monitor output (SPDT rated 3A@12V DC), remotely monitors the door lock or unlock status. (N.C. Output--Door opened; N.O. Output--Door closed)
- Operating Temperature: -10~55C)14~131F(
- Humidity: 0~95% non-condensing.
- Lock's surface Temperature (when the power is on): <current temperature +20C
- Holding Force:
FDH-100M: Up to 600 lbs)272 Kg(
FDH-200M: Up to 1200 lbs)545 Kg(
- Special Finishes for magnet and armature plate: Zinc
- Epoxy Potting Compound: E87252 (S), UL94V-0Dimensions:
- Dimensions:
Magnet:(L) 200(100), (W) 35, (D) 24 mm
Armature Plate:(L) 152, (W) 32, (D) 10 mm
Mounting Plate:(L) 200, (W) 22, (D) 5 mm

Warranty

The product is warranted against defects in material and workmanship while used in normal service for a period of 5 year from the date of sale to the original customer. The GEM policy is one of continual development and improvement; therefore GEM reserves the right to change specifications without notice.

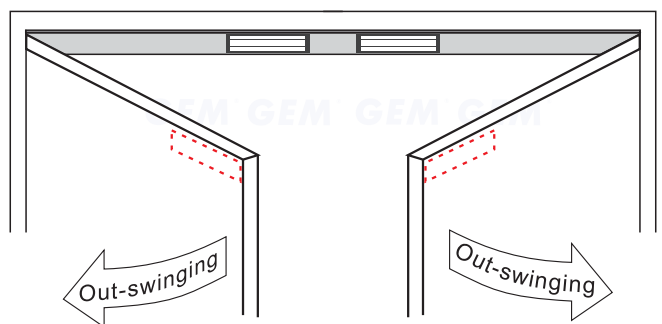
Single Action Door (Out-swinging)

Application for the Electromagnet: FDH-100M (Length :100 CM)



Double Door Leaf (Out-swinging)

Double Door Leaf (Out-swinging) Application for the Electromagnet: FDH-200M (Length: 200 CM)



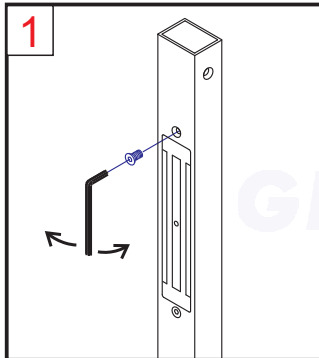
GIANNI INDUSTRIES, INC.

No. 13, Zhong Sing Road, Tu-Cheng Industrial Zone,
Tu-Cheng City, Taipei, Taiwan 23678
Tel: 886-2 2267 7986 / Fax: 886-2 2267 9876
E-Mail: info@gianni.com.tw
Website: gianni.tw
Copyright 2008 Gianni industries, inc. All rights reserved.
DM-CA-FDH Ver. C Published on 2008.05.19

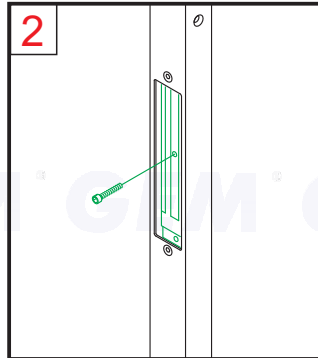


The products are manufactured under an ISO 9001 & QC 080000 Certified Quality Management Program environment back its product quality, performance and commitment to customer satisfaction.

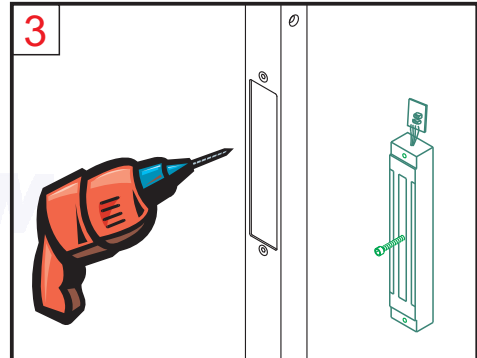
● Installation Manual



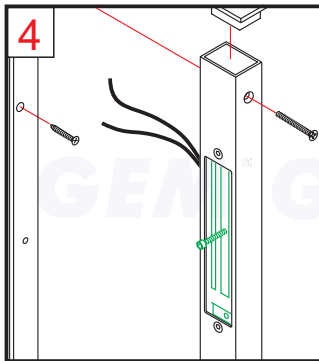
Use 3 mm hexagon tool wrench to operate the screw.



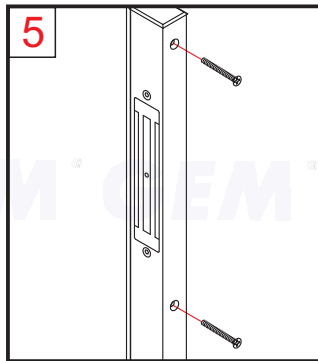
Use 4 mm hexagonal screw to tighten the electromagnetic lock.



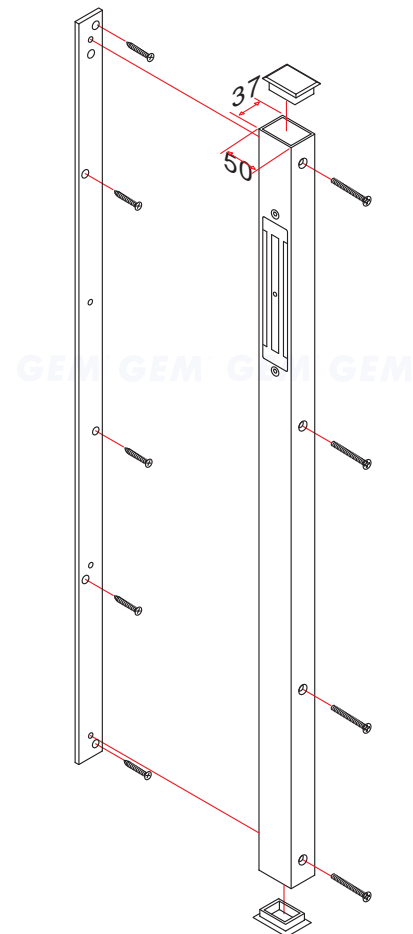
1. Take out the lock, connect the wires (please see the picture on the right)
2. Once the power source is connected, make a hole for the power wires.



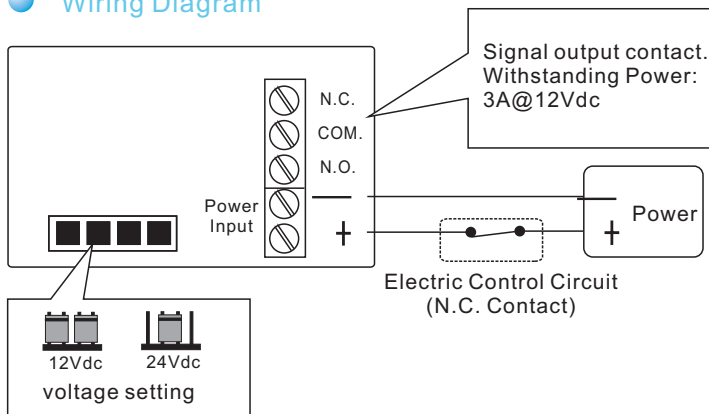
Put in the lock, pull out the power lines.



Screw in the hexagonal screw.



● Wiring Diagram



GIANNI INDUSTRIES, INC.

No. 13, Zhong Sing Road, Tu-Cheng Industrial Zone,
Tu-Cheng City, Taipei, Taiwan 23678
Tel: 886-2 2267 7986 / Fax: 886-2 2267 9876
E-Mail: info@gianni.com.tw
Website: gianni.tw
Copyright 2008 Gianni industries, inc. All rights reserved.
DM-CA-FDH Ver. C Published on 2008.05.19



The products are manufactured under an ISO 9001 & QC 080000 Certified Quality Management Program environment back its product quality, performance and commitment to customer satisfaction.

Free Manuals Download Website

<http://myh66.com>

<http://usermanuals.us>

<http://www.somanuals.com>

<http://www.4manuals.cc>

<http://www.manual-lib.com>

<http://www.404manual.com>

<http://www.luxmanual.com>

<http://aubethermostatmanual.com>

Golf course search by state

<http://golfingnear.com>

Email search by domain

<http://emailbydomain.com>

Auto manuals search

<http://auto.somanuals.com>

TV manuals search

<http://tv.somanuals.com>