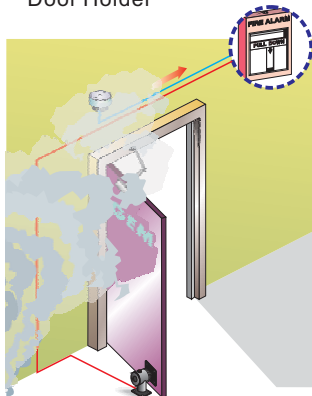
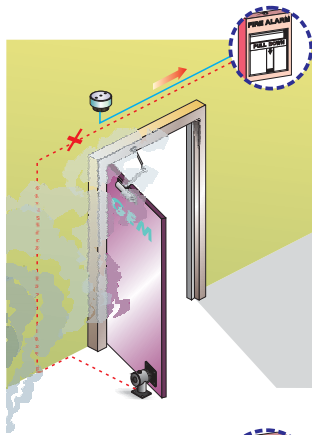


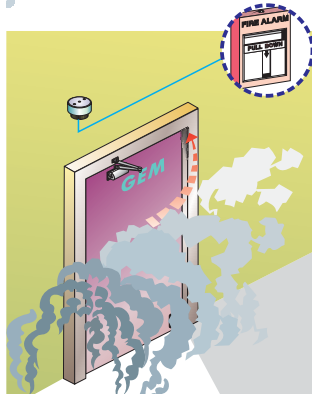
12 VDC (or 24 VDC) are the usual power source use in the control panel.



The control panel activates the fire alarm when a fire is detected.



The control panel activates the fire alarm when a fire is detected, and cut off the power source.



The Electromagnet door holder automatically releases the armature plate allowing the door to close to prevent the fire

### Statement

The door holder is a fail-safe unit energized by a power supply installed on large-scale building, between fire escape doors. It releases the armature plate allowing the door closer to close the door when the fire prevention system detects a fire alarm or emergency. The " PUSH OFF" button on magnet for instant release, the door can be opened or closed manually at any time. Also available in wall flush mount installation and optional stainless steel box for surface mount model.

### GD-900 Series

Input Voltage: 24Vdc/ac (12V available by special order)  
 Current Draw: 60mA@24Vdc  
 (Further notice for 12Vdc input voltage on special order requirement)  
 Cutout Switch  
 Holding Force: Up to 80 lbs



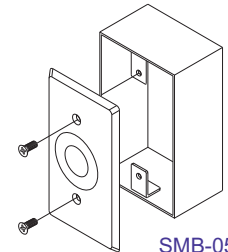
GD-900F (Floor Mount)



GD-900W Wall Flush Mount (ANSI Size)

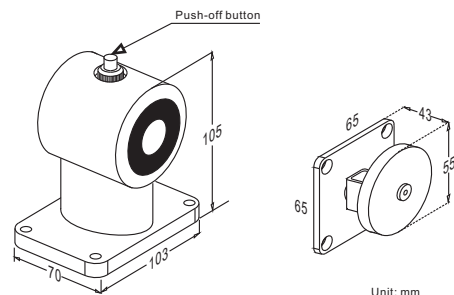


GD-900WS (Surface Mount)



SMB-050

With SMB-050 housing (Optional) for surface mount installation.



### Warranty

The product is warranted against defects in material and workmanship while used in normal service for a period of 1 year from the date of sale to the original customer. The GEM policy is one of continual development and improvement; therefore GEM reserves the right to change specifications without notice.

GIANNI INDUSTRIES, INC.



No. 13, Zhong Sing Road, Tu-Cheng Industrial Zone,  
 Tu-Cheng City, Taipei, Taiwan 23678  
 Tel: 886-2 2267 7986 / Fax: 886-2 2267 9876  
 E-Mail: info@gianni.com.tw  
 Website: gianni.tw  
 Copyright 2008 Gianni industries, inc. All rights reserved.  
 DM-CA-GD Ver. D Published on 2008.05.06



The products are manufactured under an ISO 9001 & QC 080000 Certified Quality Management Program environment back its product quality, performance and commitment to customer satisfaction.

### GD-830 Series

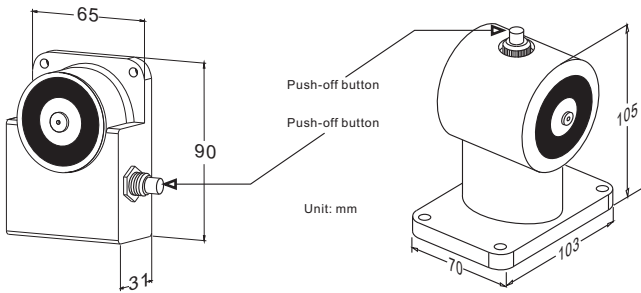
Input Voltage: 24Vdc/ac (12V available by special order)  
 Current Draw: 60mA@24Vdc  
 (Further notice for 12Vdc input voltage on special order requirement)  
 Cutout Switch  
 Unique Anti-Residual design  
 Holding Force: Up to 80 lbs  
 Finish: Black Powder Coated



**GD-830F** (Floor Mount)

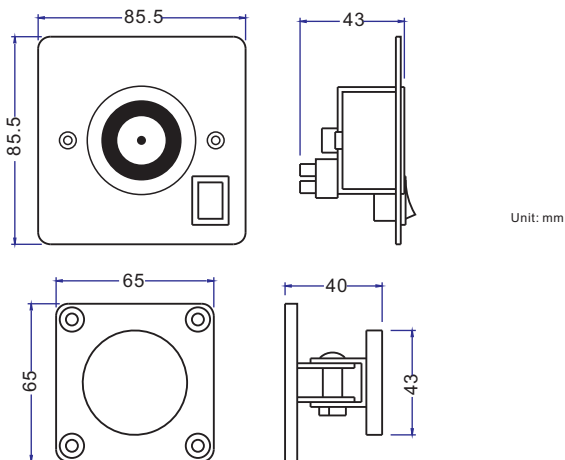


**GD-830S**  
Wall Flush Mount



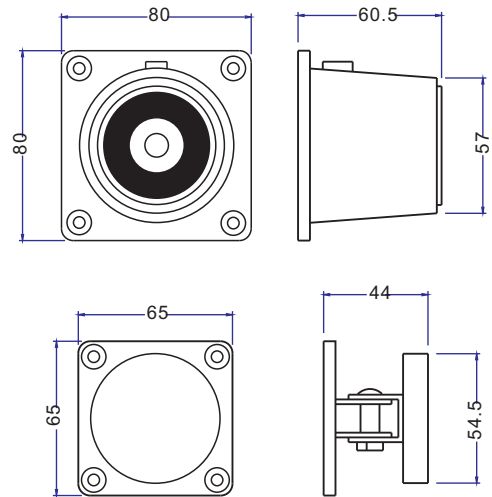
### GD-650S (Wall Surface Mount)

For British standard electrical box  
 Input Voltage: 12(or24)Vdc  
 Current Draw: 150mA@12Vdc  
 70mA@24Vdc  
 Release Button: Manually controlled for instant closing for safety reasons.  
 Holding Force: up to 70 lbs.  
 Unique Anti-Residual design



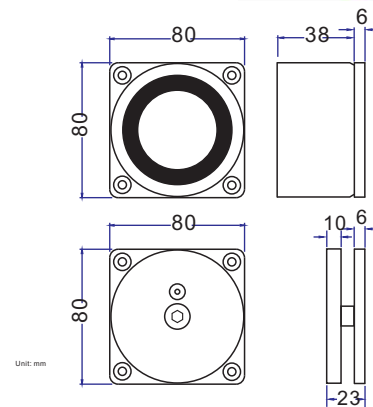
### GD-870S (Wall Surface Mount)

Input Voltage: 24Vdc/ac (12V available by special order)  
 Current Draw: 60mA@24Vdc (Further notice for 12Vdc input voltage on special order requirement)  
 Release Button: Manually controlled for instant closing for safety reasons.  
 Holding Force: up to 80 lbs.  
 Unique Anti-Residual design  
 White Color Finishing to match your room decor.



### RM-80

Input Voltage: 24Vdc  
 (12V available by special order)  
 Current : 160mA@24Vdc  
 Holding Force: Up to 480 lbs (220 Kg)



GIANNI INDUSTRIES, INC.



No. 13, Zhong Sing Road, Tu-Cheng Industrial Zone,  
 Tu-Cheng City, Taipei, Taiwan 23678  
 Tel: 886-2 2267 7986 / Fax: 886-2 2267 9876  
 E-Mail: info@gianni.com.tw  
 Website: gianni.tw  
 Copyright 2008 Gianni industries, inc. All rights reserved.  
 DM-CA-GD Ver. D Published on 2008.05.06



The products are manufactured under an ISO 9001 & QC 080000 Certified Quality Management Program environment back its product quality, performance and commitment to customer satisfaction.

## Free Manuals Download Website

<http://myh66.com>

<http://usermanuals.us>

<http://www.somanuals.com>

<http://www.4manuals.cc>

<http://www.manual-lib.com>

<http://www.404manual.com>

<http://www.luxmanual.com>

<http://aubethermostatmanual.com>

Golf course search by state

<http://golfingnear.com>

Email search by domain

<http://emailbydomain.com>

Auto manuals search

<http://auto.somanuals.com>

TV manuals search

<http://tv.somanuals.com>