



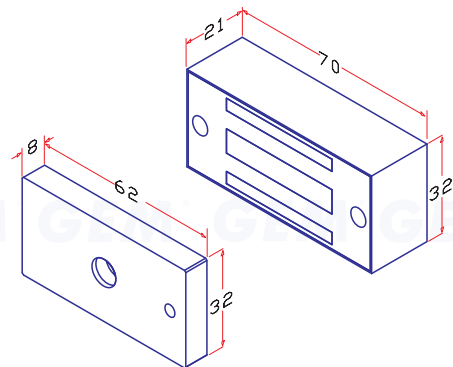
Statement

The GL-80F is a super mini electromagnetic lock and it is actually smaller in size than most standard wallets, the size is only about a third of palm. It operates at a very low level of power consumption (125 mA @ 12 VDC) and offers up to 80 LBS (36 KG) holding force which this lock is recommended for closet and small filling cabinet and also functions well on small, high security lockers such as spa locks, gym lockers and health club lockers.

Specifications

- Voltage Tolerance: ±15%
- Current Draw: 125mA@12Vdc (at temperature 20C)
- Operating Temperature: -10~55C)14~131F(
- Humidity: 0~95% non-condensing.
- Lock's surface Temperature (when the power is on): can not exceed ambient temperature by 20 C.
- Holding Force: Up to 80 lbs)36 Kg(
- Dimensions:
 - Magnet:(L) 70, (W) 32, (D) 20 mm
 - Armature Plate:(L) 62, (W) 32, (D) 8 mm
- Special Finishes for magnet and armature plate: Zinc
- Epoxy Potting Compound: E87252 (S), UL94V-0
- Weight)Approx.(: 350 g

Dimension

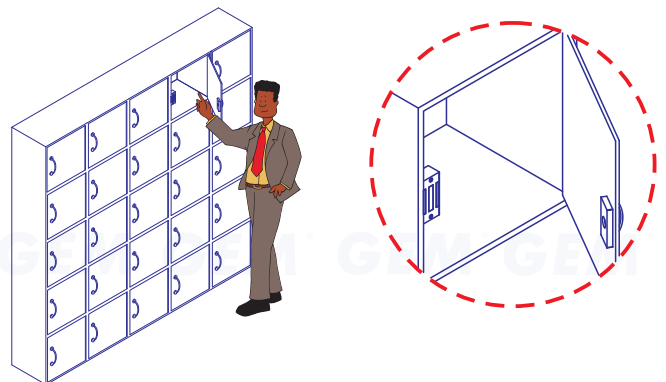


Unit: mm

Application

The GL-80F is recommended for closet and small filling cabinet and also functions well on small, high security lockers such as spa locks, gym lockers and health club lockers.

Perfect for drawers !!



Warranty

The product is warranted against defects in material and workmanship while used in normal service for a period of 5 year from the date of sale to the original customer. The GEM policy is one of continual development and improvement; therefore GEM reserves the right to change specifications without notice.

GIANNI INDUSTRIES, INC.

No. 13, Zhong Sing Road, Tu-Cheng Industrial Zone,
 Tu-Cheng City, Taipei, Taiwan 23678
 Tel: 886-2 2267 7986 / Fax: 886-2 2267 9876
 E-Mail: info@gianni.com.tw
 Website: gianni.tw
 Copyright 2008 Gianni industries, inc. All rights reserved.
 DM-CA-GL-80F Ver. C Published on 2008.07.18



The products are manufactured under an ISO 9001 & QC 080000 Certified Quality Management Program environment back its product quality, performance and commitment to customer satisfaction.

Free Manuals Download Website

<http://myh66.com>

<http://usermanuals.us>

<http://www.somanuals.com>

<http://www.4manuals.cc>

<http://www.manual-lib.com>

<http://www.404manual.com>

<http://www.luxmanual.com>

<http://aubethermostatmanual.com>

Golf course search by state

<http://golfingnear.com>

Email search by domain

<http://emailbydomain.com>

Auto manuals search

<http://auto.somanuals.com>

TV manuals search

<http://tv.somanuals.com>