

### ● Features

- Controller supports two readers.
- Controller can control 2 independent doors or a single door.
- Use RS-232 or RS-485 to connect a single controller to a PC.
- Up to 16 controllers can be connected using a RS-485 network to a PC.
- Up to 32 independent doors can be controlled.
- The system supports 2000 tags.
- Each controller stores last 2000 transactions with date & time stamp in non-volatile memory. All transactions - including denied access, pushbutton and alarm conditions are logged.
- Optional Door Switch allows use of 4 timers to solve complex locking problems.
- Optional Exit Push Button for each door.
- Access control is achieved by assigning a user an Access Parameter.
- There are 2 predefined and 8 user defined Access Parameters. User defined parameters consist of 5 time zones for each day of week +holiday during which

### ● Statement

The system is based on a controller that supports two Secure Card readers which can be mounted up to 50 meters from the controller with a simple 3-wire connection. The controller can be configured to operate a single door or two independent doors.

The controller has a RS-232 connection allowing single controller systems a simple means of connecting to a PC provided the cable run is less than 30 meters. The controller also has a RS-485 connection that will support up to 16 controllers connected in a RS-485 network to a PC thus allowing the control of up to 32 doors.

In this configuration the PC will require a 311 RS-232/485 Interface/Repeater to

### Free Software !!

The software is required for all programming of the system, downloading transaction sand printing Reports.



**655-20**  
Controller



**656-20-1**  
Secure Mini Reader



**311-30**  
RS-485 to RS-232  
convertor



**657-20-1**  
ANSI-sized Reader

GIANNI INDUSTRIES, INC.



No. 13, Zhong Sing Road, Tu-Cheng Industrial Zone,  
Tu-Cheng City, Taipei, Taiwan 23678  
Tel: 886-2 2267 7986 / Fax: 886-2 2267 9876  
E-Mail: info@gianni.com.tw  
Website: gianni.tw  
Copyright 2008 Gianni industries, inc. All rights reserved.  
DM-CA-Keyprox Plus Ver. B Published on 2008.05.21

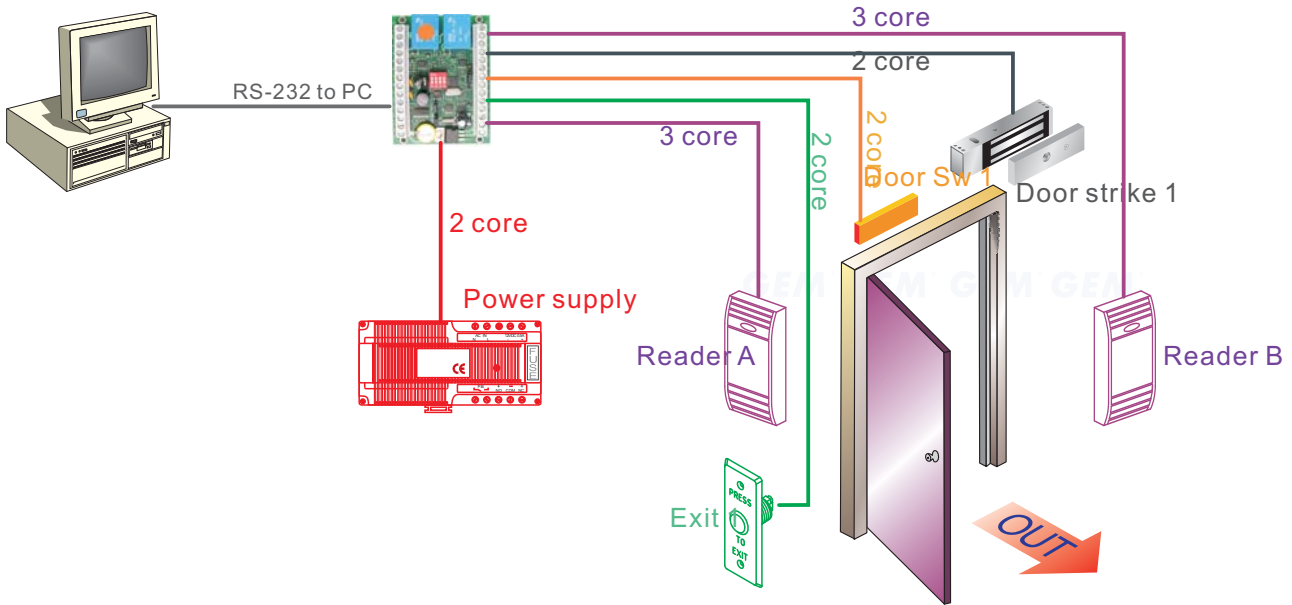


The products are manufactured under an ISO 9001 & QC 080000 Certified Quality Management Program environment back its product quality, performance and commitment to customer satisfaction.

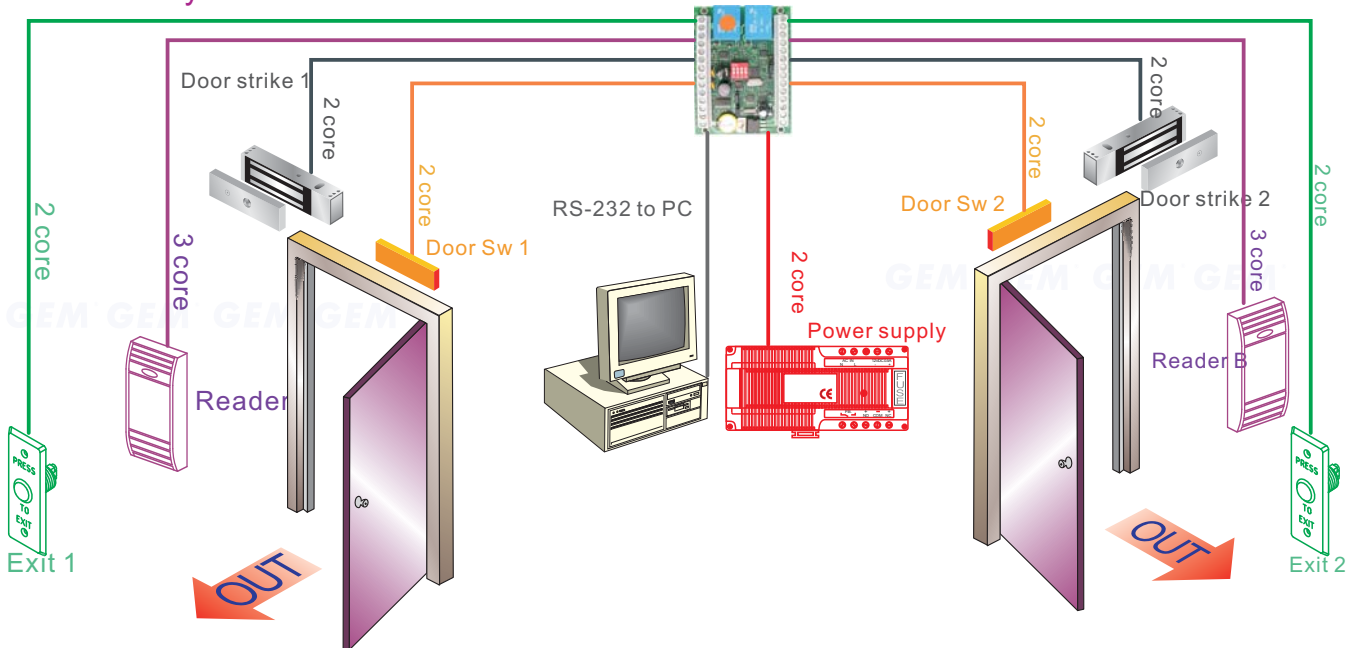
## Application

The KeyProx Plus controller has both a RS-232 and a RS-485 interface. Use the RS-232 interface for simple installation having a single controller and where the distance between the controller and the PC is less than 30 meters. The drawings below show typical RS-232 installations. RS-232 connection to PC - max 30m

### Single Door System



### Two Door System



Gianni supplies all accessories for access control application including maglock, electric bolt lock, electric strike, exit button, power supply, prox cards or fobs.

GIANNI INDUSTRIES, INC.



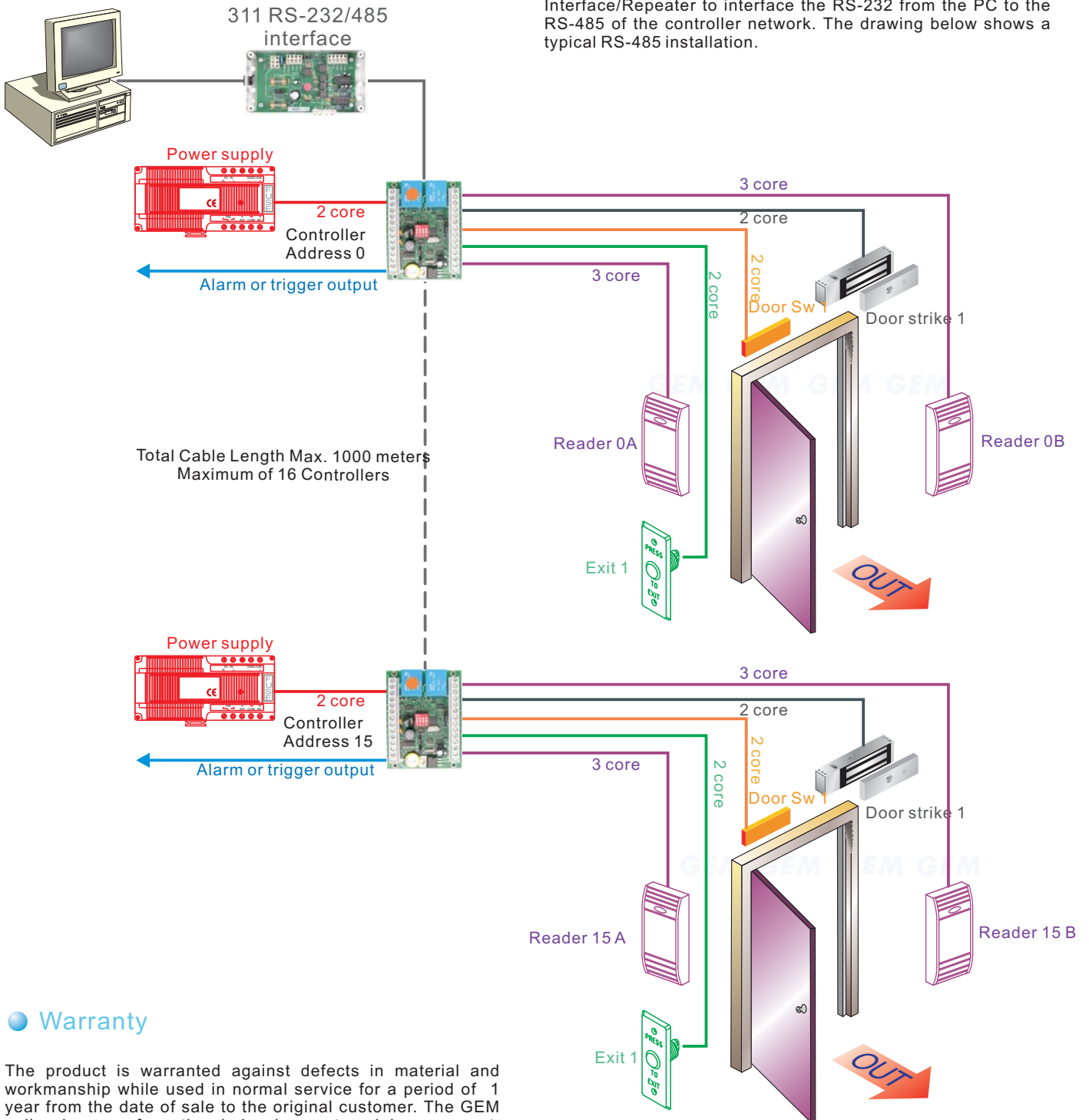
No. 13, Zhong Sing Road, Tu-Cheng Industrial Zone,  
 Tu-Cheng City, Taipei, Taiwan 23678  
 Tel: 886-2 2267 7986 / Fax: 886-2 2267 9876  
 E-Mail: info@gianni.com.tw  
 Website: gianni.tw  
 Copyright 2008 Gianni industries, inc. All rights reserved.  
 DM-CA-Keyprox Plus Ver. B Published on 2008.05.21



The products are manufactured under an ISO 9001 & QC 080000 Certified Quality Management Program environment back its product quality, performance and commitment to customer satisfaction.

### Multi-Controller System

RS-485 must be used where the distance between the controller and the PC is greater than 30 meters or for installations of multiple controllers. The PC will require a 311 Interface/Repeater to interface the RS-232 from the PC to the RS-485 of the controller network. The drawing below shows a typical RS-485 installation.



### Warranty

The product is warranted against defects in material and workmanship while used in normal service for a period of 1 year from the date of sale to the original customer. The GEM policy is one of continual development and improvement; therefore GEM reserves the right to change specifications without notice.

GIANNI INDUSTRIES, INC.



Gianni supplies all accessories for access control application including maglock, electric bolt lock, electric strike, exit button, power supply, prox cards or fobs.

No. 13, Zhong Sing Road, Tu-Cheng Industrial Zone,  
Tu-Cheng City, Taipei, Taiwan 23678  
Tel: 886-2 2267 7986 / Fax: 886-2 2267 9876  
E-Mail: info@gianni.com.tw  
Website: gianni.tw  
Copyright 2008 Gianni industries, inc. All rights reserved.  
DM-CA-Keyprox Plus Ver. B Published on 2008.05.21



The products are manufactured under an ISO 9001 & QC 080000 Certified Quality Management Program environment back its product quality, performance and commitment to customer satisfaction.

## Free Manuals Download Website

<http://myh66.com>

<http://usermanuals.us>

<http://www.somanuals.com>

<http://www.4manuals.cc>

<http://www.manual-lib.com>

<http://www.404manual.com>

<http://www.luxmanual.com>

<http://aubethermostatmanual.com>

Golf course search by state

<http://golfingnear.com>

Email search by domain

<http://emailbydomain.com>

Auto manuals search

<http://auto.somanuals.com>

TV manuals search

<http://tv.somanuals.com>