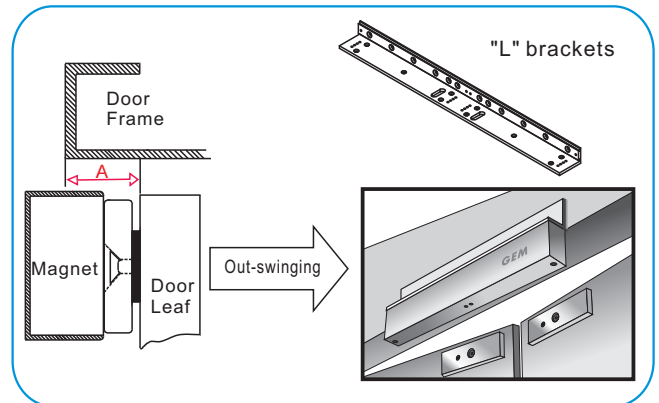
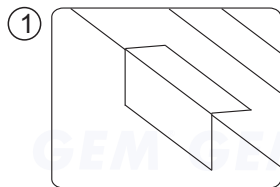
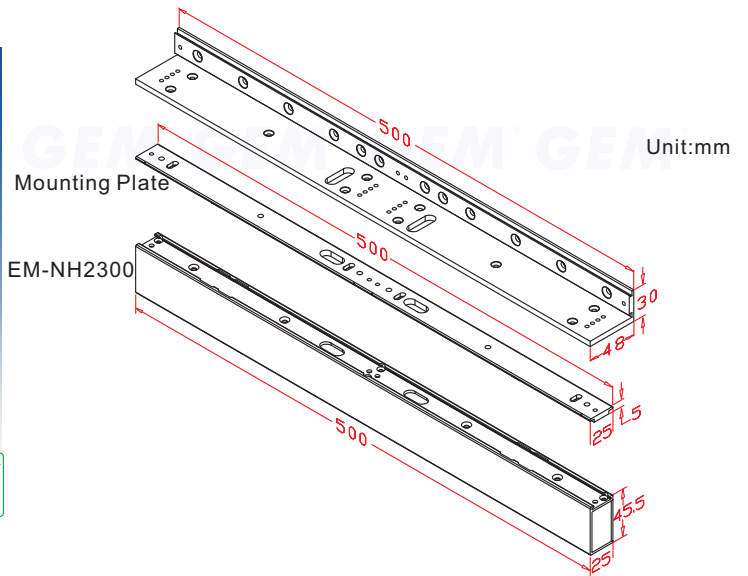


The A value in the table below for each bracket to mount on the door frame, shows the minimum requirement width of

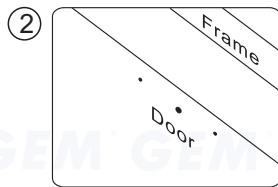
Magnet Grade	Value A"	Option Brackets
300 LBS	38mm	L-150, L-EM150...
● 600 LBS	42mm	L-300, L-10001ST...
800LBS	48mm	L-750, L-350, L-400...
1200 LBS	60mm	L-500, L-600...



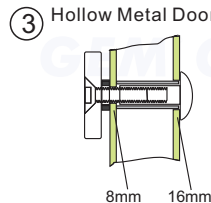
Application for the Electromagnet:
EM-NH2300 Series



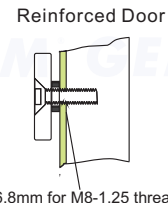
1 Fold the mounting template along the dotted line to a 90-degree angle. Close the door, place the template against the door and frame.



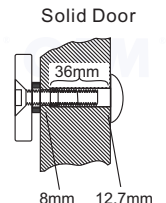
2 Drill three holes in the door as indicated on the template.



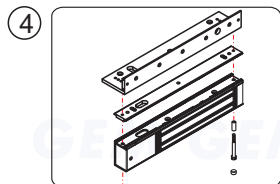
3 Hollow Metal Door
Drill an 8 mm hole through door, from sexnut bolt side only, enlarge the 8mm hole to 16mm.



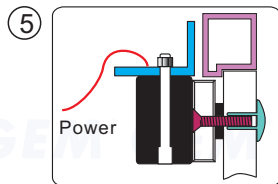
3 Reinforced Door
Drill an 6.8 mm dia. Hole and tap for M8x12.5 thread.



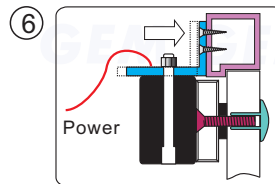
3 Solid Door
Drill an 8 mm hole thru door from sexnut bolt side of door, drill 12.7mmhole, 36mm in depth.



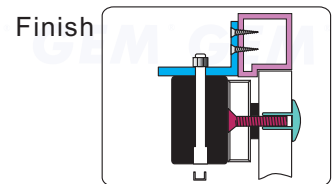
4 Lock the armature plate and L bracket first. Put the electromagnet into the armature plate second.



5 Turn on the power of EM-Lock, and let the armature plate bonds to the EM-lock. Adjust the position between the L bracket and the door frame.



6 Once the position is correct, use the screws to permanently mount the L bracket on the door frame.



7 Finish
Test the unit. Insert the anti-tamper caps into the mounting screw access holes.

GIANNI INDUSTRIES, INC.

No. 13, Zhong Sing Road, Tu-Cheng Industrial Zone,
Tu-Cheng City, Taipei, Taiwan 23678
Tel: 886-2 2267 7986 / Fax: 886-2 2267 9876
E-Mail: info@gianni.com.tw
Website: gianni.tw
Copyright © 2008 Gianni industries, inc. All rights reserved.
DM-CA-L-NH2300 Ver. A Published on 2008.06.16



The products are manufactured under an ISO 9001 & QC 080000 Certified Quality Management Program environment back its product quality, performance and commitment to customer satisfaction.

Free Manuals Download Website

<http://myh66.com>

<http://usermanuals.us>

<http://www.somanuals.com>

<http://www.4manuals.cc>

<http://www.manual-lib.com>

<http://www.404manual.com>

<http://www.luxmanual.com>

<http://aubethermostatmanual.com>

Golf course search by state

<http://golfingnear.com>

Email search by domain

<http://emailbydomain.com>

Auto manuals search

<http://auto.somanuals.com>

TV manuals search

<http://tv.somanuals.com>