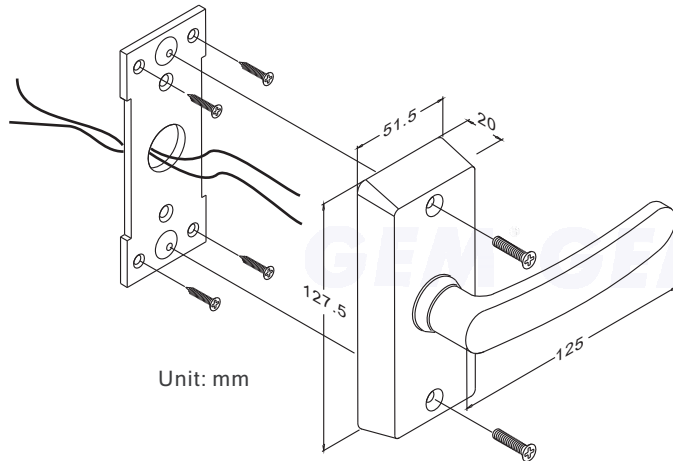
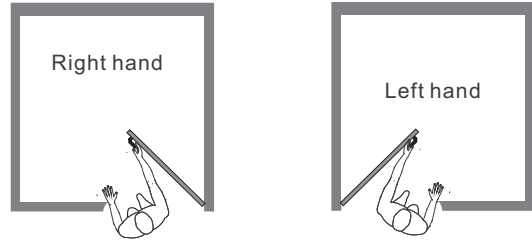
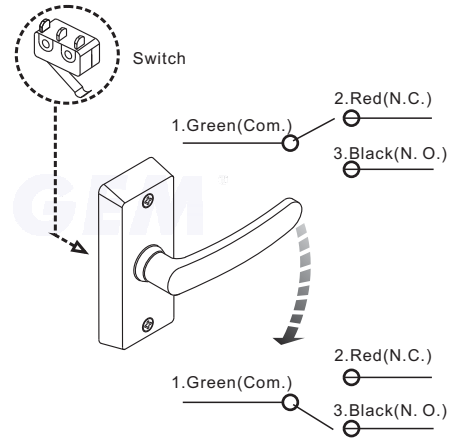


# LHS-50 Switched Lever Handle

Before installation make sure door is "Left Hand" or "Right Hand".



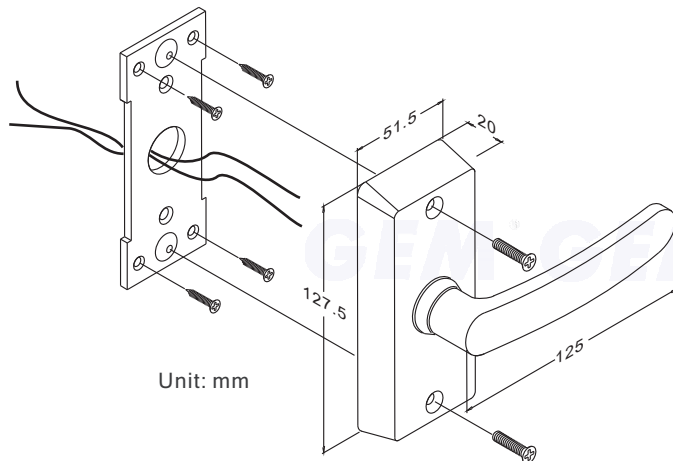
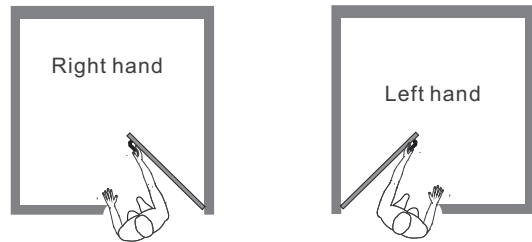
Unit: mm



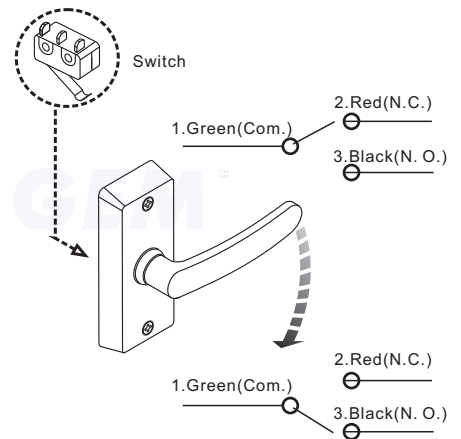
Copyright Gianni Industries, Inc. All Rights Reserved.  
P-MU-LHS50 Ver. B Publish:2004.12.23

# LHS-50 Switched Lever Handle

Before installation make sure door is "Left Hand" or "Right Hand".



Unit: mm



Copyright Gianni Industries, Inc. All Rights Reserved.  
P-MU-LHS50 Ver. B Publish:2004.12.23

## Free Manuals Download Website

<http://myh66.com>

<http://usermanuals.us>

<http://www.somanuals.com>

<http://www.4manuals.cc>

<http://www.manual-lib.com>

<http://www.404manual.com>

<http://www.luxmanual.com>

<http://aubethermostatmanual.com>

Golf course search by state

<http://golfingnear.com>

Email search by domain

<http://emailbydomain.com>

Auto manuals search

<http://auto.somanuals.com>

TV manuals search

<http://tv.somanuals.com>