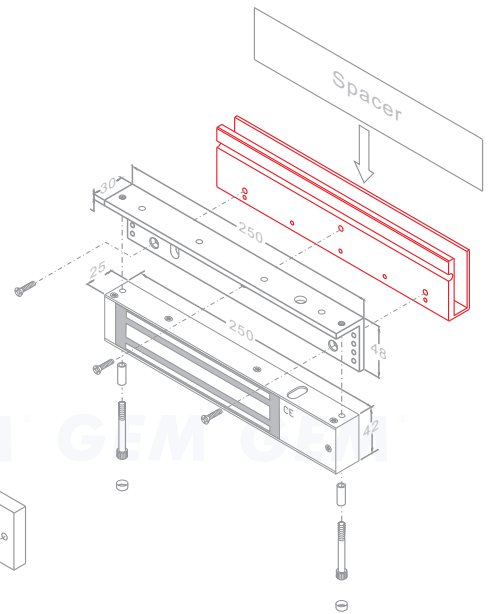
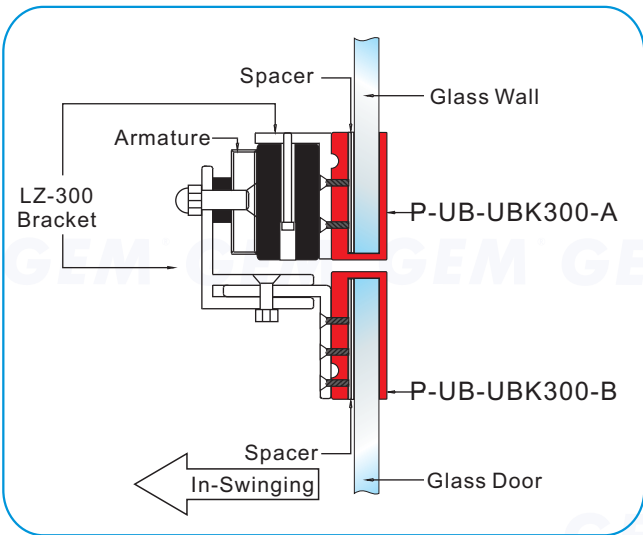
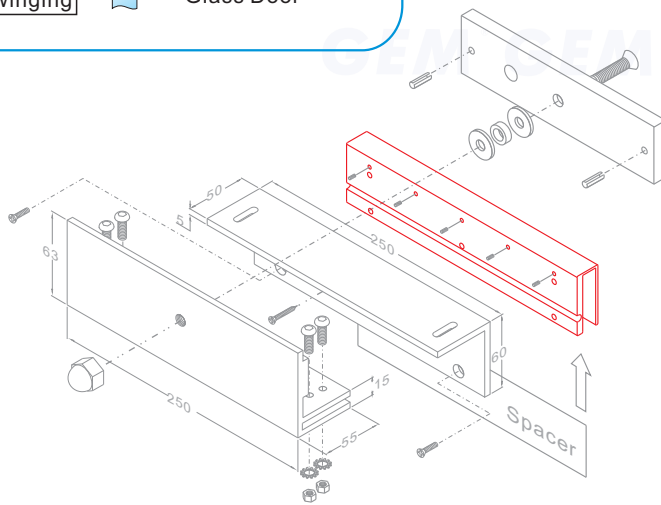


- Application for the Electromagnet:
10001 Series 10005 Series (Double)

Suitable for use with frameless glass doors and the glass wall. After the door installs with the U-bracket, the door will become a single swing (inward opening) door. The glass thickness is 14 mm maximum. The diagram shows the LZ-300 bracket installation instructions.



Unit:mm



GIANNI INDUSTRIES, INC.

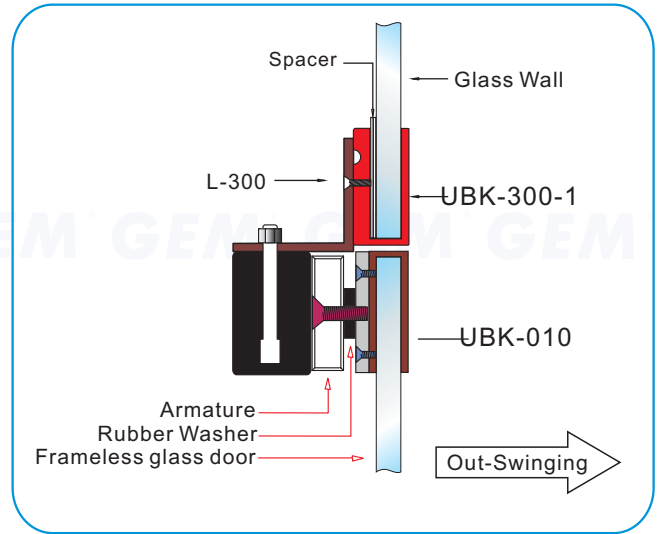
No. 13, Zhong Sing Road, Tu-Cheng Industrial Zone,
Tu-Cheng City, Taipei, Taiwan 23678
Tel: 886-2 2267 7986 / Fax: 886-2 2267 9876
E-Mail: info@gianni.com.tw
Website: gianni.tw
Copyright 2008 Gianni industries, inc. All rights reserved.
DM-CA-UBK-300 Ver. C Published on 2008.06.09



The products are manufactured under an ISO 9001 & QC 080000 Certified Quality Management Program environment back its product quality, performance and commitment to customer satisfaction.

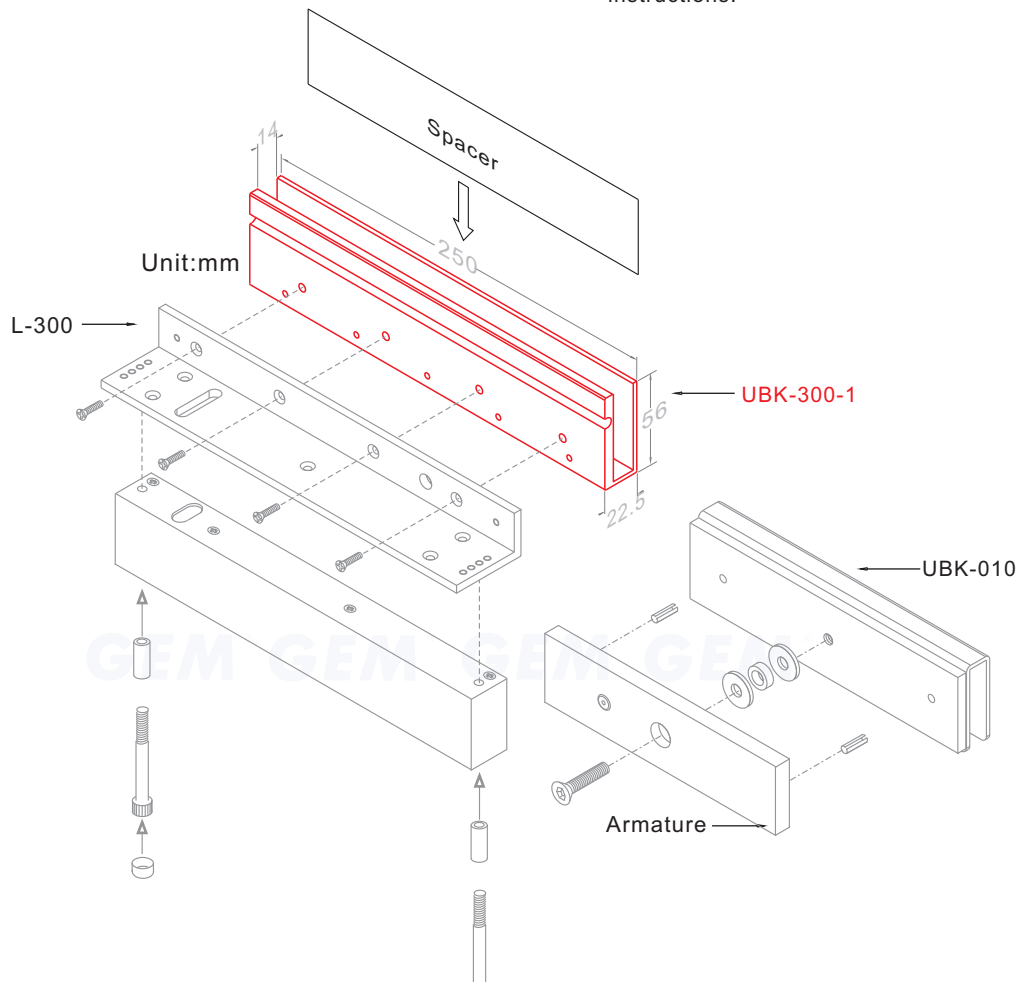


(P-UB-UBK300-C)



- Application for the Electromagnet:
10001 Series 10005 Series (Double)

Suitable for use with frameless glass doors and the glass wall, After the door installs with the U-bracket, the door will become a single swing (outward opening) door. The diagram shows the L-300 and UBK-010 bracket installation instructions.



GIANNI INDUSTRIES, INC.

No. 13, Zhong Sing Road, Tu-Cheng Industrial Zone,
Tu-Cheng City, Taipei, Taiwan 23678
Tel: 886-2 2267 7986 / Fax: 886-2 2267 9876
E-Mail: info@gianni.com.tw
Website: gianni.tw
Copyright 2008 Gianni industries, inc. All rights reserved.
DM-CA-UBK-300 Ver. C Published on 2008.06.09



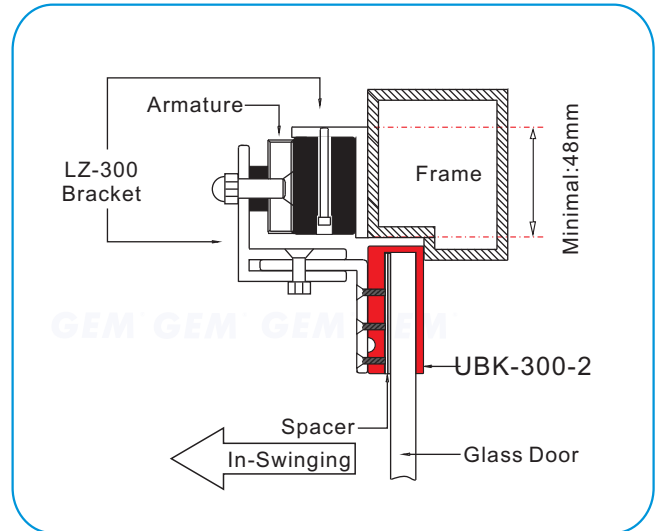
The products are manufactured under an ISO 9001 & QC 080000 Certified Quality Management Program environment back its product quality, performance and commitment to customer satisfaction.



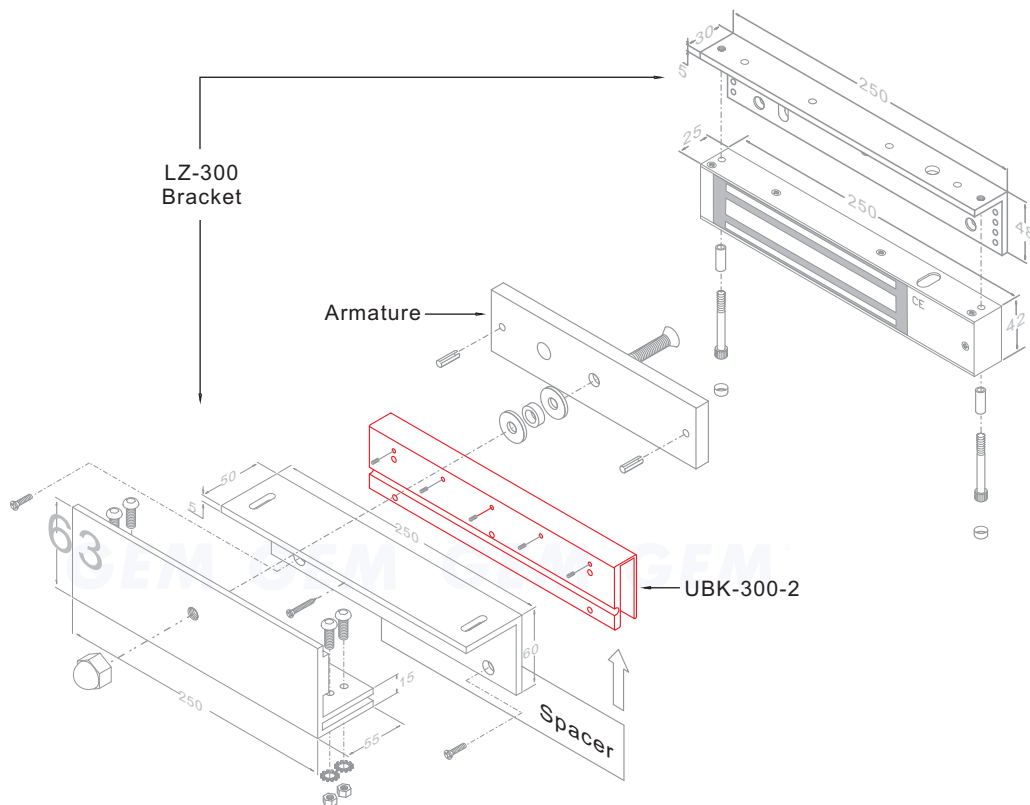
(P-UB-UBK300-B)



- Application for the Electromagnet:
10001 Series 10005 Series (Double)



Suitable for use with frameless glass doors. After the door installs with the U-bracket, the door will become a single swing (inward opening). The diagram shows the LZ-300 bracket installation instructions.



GIANNI INDUSTRIES, INC.

No. 13, Zhong Sing Road, Tu-Cheng Industrial Zone,
Tu-Cheng City, Taipei, Taiwan 23678
Tel: 886-2 2267 7986 / Fax: 886-2 2267 9876
E-Mail: info@gianni.com.tw
Website: gianni.tw
Copyright 2008 Gianni industries, inc. All rights reserved.
DM-CA-UBK-300 Ver. C Published on 2008.06.09



The products are manufactured under an ISO 9001 & QC 080000 Certified Quality Management Program environment back its product quality, performance and commitment to customer satisfaction.

Free Manuals Download Website

<http://myh66.com>

<http://usermanuals.us>

<http://www.somanuals.com>

<http://www.4manuals.cc>

<http://www.manual-lib.com>

<http://www.404manual.com>

<http://www.luxmanual.com>

<http://aubethermostatmanual.com>

Golf course search by state

<http://golfingnear.com>

Email search by domain

<http://emailbydomain.com>

Auto manuals search

<http://auto.somanuals.com>

TV manuals search

<http://tv.somanuals.com>