

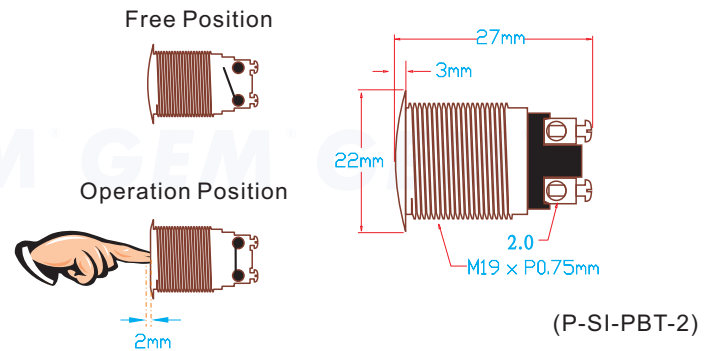
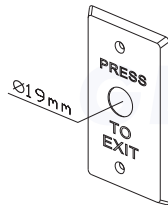
This series of request to exit can be mounted directly in ANSI electrical box (Flush mount)

This series of request to exit can be mounted directly in ANSI electrical box (Flush mount) or surface mounting Installation: SMB-500, SMB-050, SMB-750 housing is optional for surface mount.



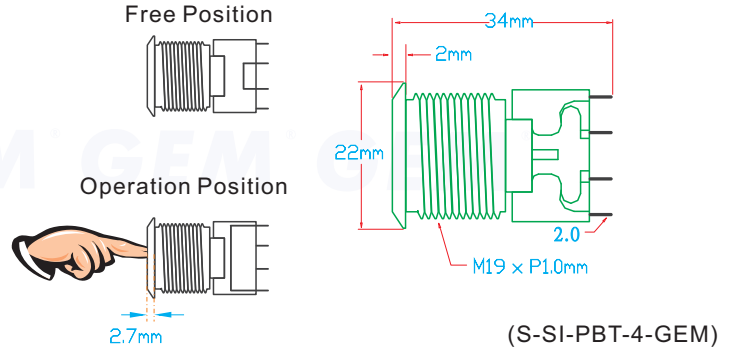
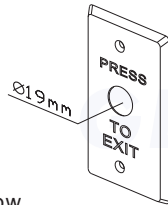
PBT-020B-2

Max. Ratings : 3A@125V AC, 6A@24V DC
Type of actuation: Momentary
Contact arrangement: normal open (N.O.)
Operating travel: 2.0 mm
Operating temp. Range: -20~+70C
Contact resistance: 50 mΩ Max.(initial)
Operating life(Mechanical) : Over 100,000 times
Materials (Button): Copper alloys, Faceplate: Stainless steel



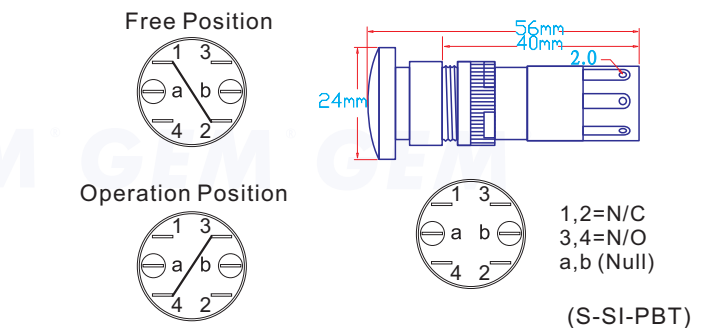
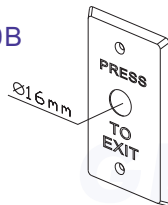
PBT-020B-4

Max. Ratings : 5A@125/250 Vac
Type of actuation: Momentary
Contact arrangement: Double pole double throw
Operating travel: 2.7 mm
Operating temp. Range: -20~+70C
Contact resistance: 50 mΩ Max.(initial)
Operating life(Mechanical) : Over 100,000 times
Materials: Stainless steel



PBT-060B

Max. Ratings : 5A@250 Vac, 6A@24V DC
Type of actuation: Momentary
Contact arrangement: Double pole double throw
Operating travel: 3.2 mm
Operating temp. Range: -20~+70C
Contact resistance: 50 mΩ Max.(initial)
Operating life(Mechanical) : Over 100,000 times
Materials(Button): PVC, Faceplate: Stainless steel



GIANNI INDUSTRIES, INC.

No. 13, Zhong Sing Road, Tu-Cheng Industrial Zone,
Tu-Cheng City, Taipei, Taiwan 23678
Tel: 886-2 2267 7986 / Fax: 886-2 2267 9876
E-Mail: info@gianni.com.tw
Website: gianni.tw
Copyright 2008 Gianni industries, inc. All rights reserved.
DM-CA-PBT-ANSI Ver. H Published on 2008.07.21

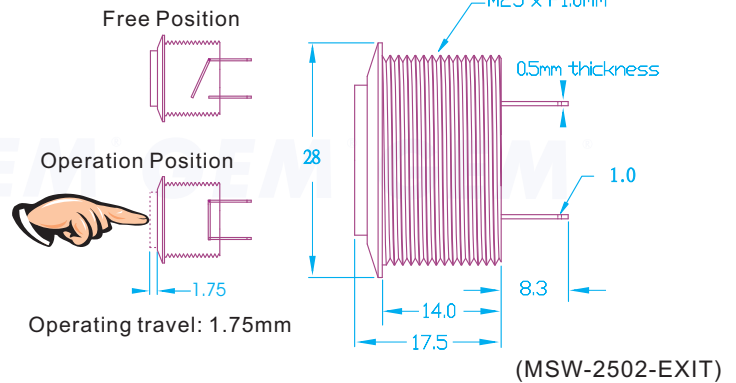
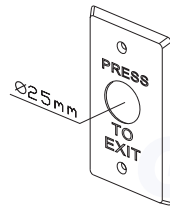


The products are manufactured under an ISO 9001 & QC 080000 Certified Quality Management Program environment back its product quality, performance and commitment to customer satisfaction.



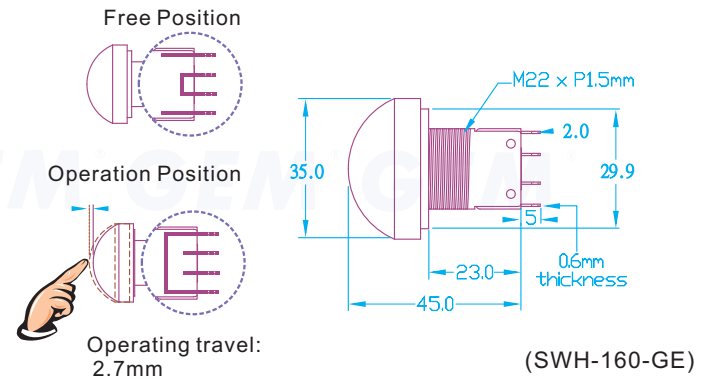
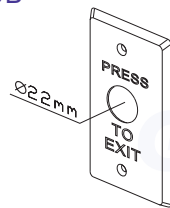
PBT-020BJ

Max. Ratings : 5mA@12Vdc
 Type of actuation: Momentary
 Contact arrangement: Single pole single throw (N.O.)
 Operating travel: 1.75mm
 Operating temp. Range: -20~+70C
 Contact resistance: 1kΩ Max.(initial)
 Operating life(5mA 5Vdc) : Over 100,000 times
 Materials: Stainless steel



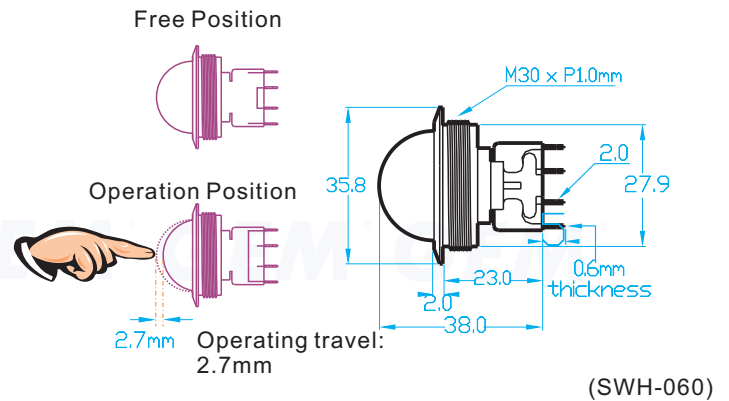
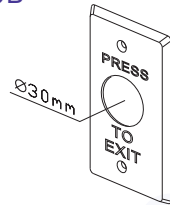
PBT-160B

Max. Ratings : 5A@125/250 Vac
 Type of actuation: Momentary
 Contact arrangement: Double pole double throw
 Operating travel: 2.7mm
 Operating temp. Range: -20~+70C
 Contact resistance: 50mΩ Max.(initial)
 Operating life(Mechanical) : Over 100,000 times
 Materials(Button): Zinc alloy, Faceplate: Stainless steel



PBT-180B

Max. Ratings : 5A@125/250 Vac
 Type of actuation: Momentary
 Contact arrangement: Double pole double throw
 Operating travel: 2.7 mm
 Operating temp. Range: -20~+70C
 Contact resistance: 50 mΩ Max.(initial)
 Operating life(Mechanical) : Over 100,000 times
 Materials(Button): Zinc alloy, Faceplate: Stainless steel



GIANNI INDUSTRIES, INC.

No. 13, Zhong Sing Road, Tu-Cheng Industrial Zone,
 Tu-Cheng City, Taipei, Taiwan 23678
 Tel: 886-2 2267 7986 / Fax: 886-2 2267 9876
 E-Mail: info@gianni.com.tw
 Website: gianni.tw
 Copyright 2008 Gianni industries, inc. All rights reserved.
 DM-CA-PBT-ANSI Ver. H Published on 2008.07.21



The products are manufactured under an ISO 9001 & QC 080000 Certified Quality Management Program environment back its product quality, performance and commitment to customer satisfaction.

Free Manuals Download Website

<http://myh66.com>

<http://usermanuals.us>

<http://www.somanuals.com>

<http://www.4manuals.cc>

<http://www.manual-lib.com>

<http://www.404manual.com>

<http://www.luxmanual.com>

<http://aubethermostatmanual.com>

Golf course search by state

<http://golfingnear.com>

Email search by domain

<http://emailbydomain.com>

Auto manuals search

<http://auto.somanuals.com>

TV manuals search

<http://tv.somanuals.com>