

SMB-86ALU

This series of request to exit can be mounted directly in British standard electrical box (Flush mount)

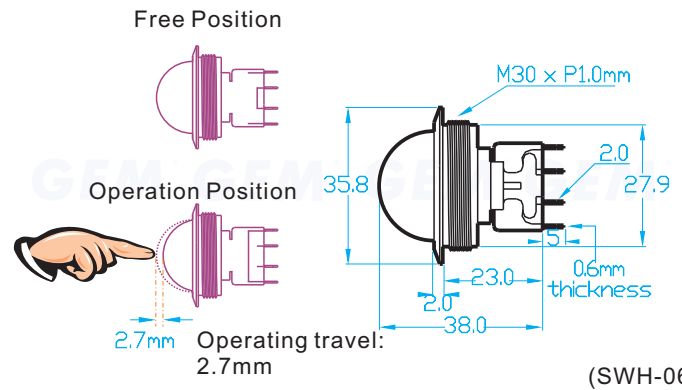
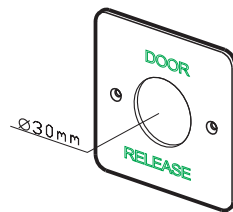
Surface mounting Installation: SMB-86ALU housing is optional for surface mount.



PBT-210UK



PBT-211UK



(SWH-060)

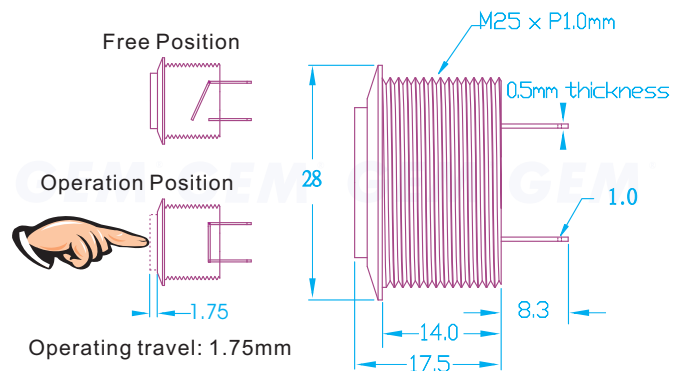
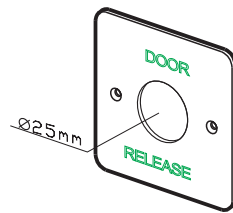
Max. Ratings : 5A@125/250 Vac
Type of actuation: Momentary
Contact arrangement: Double pole double throw
Operating travel: 2.7 mm
Operating temp. Range: -20~+70C
Contact resistance: 50 mΩ Max.(initial)
Operating life(Mechanical) : Over 100,000 times
Materials(Button): Zinc alloy, Faceplate: Stainless steel



PBT-425BS



PBT-425BS-DR



(MSW-2502-K-EXIT)

Max. Ratings : 5mA@12Vdc
Type of actuation: Momentary
Contact arrangement: Single pole single throw (N.O.)
Operating travel: 1.75mm
Operating temp. Range: -20~+70C
Contact resistance: 1kΩ Max.(initial)
Operating life(5mA 5Vdc) : Over 100,000 times
Materials: Stainless steel



GIANNI INDUSTRIES, INC.

No. 13, Zhong Sing Road, Tu-Cheng Industrial Zone,
Tu-Cheng City, Taipei, Taiwan 23678
Tel: 886-2 2267 7986 / Fax: 886-2 2267 9876
E-Mail: info@gianni.com.tw
Website: gianni.tw
Copyright 2008 Gianni industries, inc. All rights reserved.
DM-CA-PBT-British Ver. I Published on 2008.08.12



The products are manufactured under an ISO 9001 & QC 080000 Certified Quality Management Program environment back its product quality, performance and commitment to customer satisfaction.



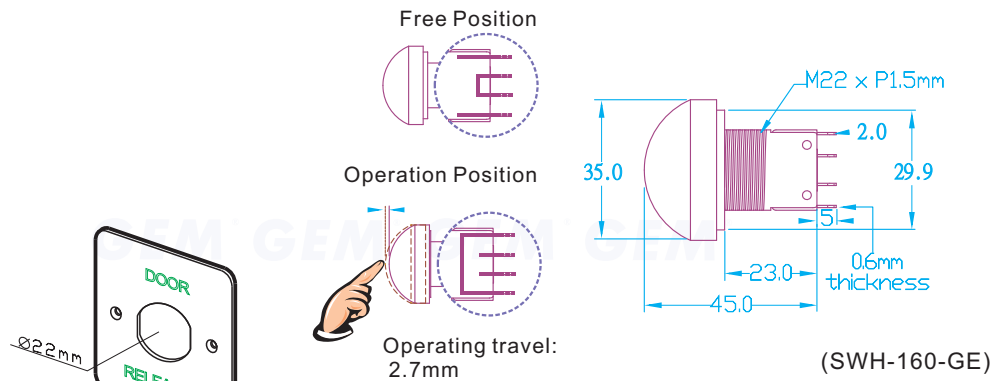
PBT-400BS



PBT-400BS-DR



PBT-400BS-P



Switch Specifications

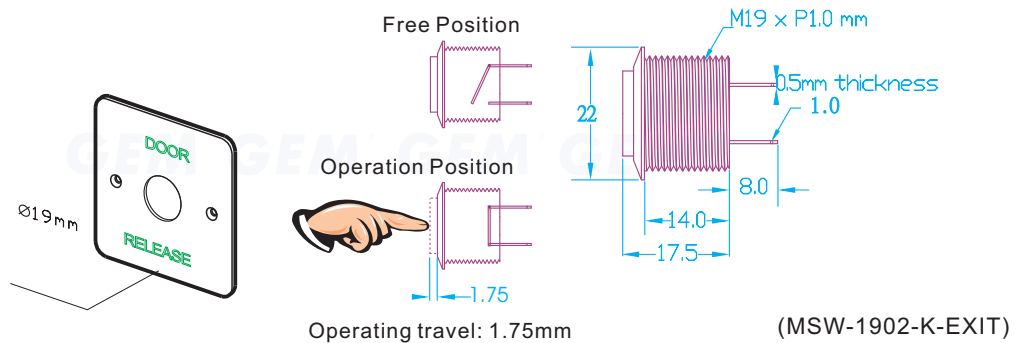
Max. Ratings : 5A@125/250 Vac
 Type of actuation: Momentary
 Contact arrangement: Double pole double throw
 Operating travel: 2.7mm
 Operating temp. Range: -20~+70C
 Contact resistance: 50mΩ Max.(initial)
 Operating life(Mechanical) : Over 100,000 times
 Materials(Button): Zinc alloy, Faceplate: Stainless steel



PBT-419BS



PBT-419BS-DR



Switch Specifications

Max. Ratings : 5mA@12Vdc
 Type of actuation: Momentary
 Contact arrangement: Single pole single throw (N.O.)
 Operating travel: 1.75mm
 Operating temp. Range: -20~+70C
 Contact resistance: 1kΩ Max.(initial)
 Operating life(5mA 5Vdc) : Over 100,000 times
 Materials: Stainless steel

GIANNI INDUSTRIES, INC.



No. 13, Zhong Sing Road, Tu-Cheng Industrial Zone,
 Tu-Cheng City, Taipei, Taiwan 23678
 Tel: 886-2 2267 7986 / Fax: 886-2 2267 9876
 E-Mail: info@gianni.com.tw
 Website: gianni.tw
 Copyright 2008 Gianni industries, inc. All rights reserved.
 DM-CA-PBT-British Ver. I Published on 2008.08.12



The products are manufactured under an ISO 9001 & QC 080000 Certified Quality Management Program environment back its product quality, performance and commitment to customer satisfaction.



PBT-430BS



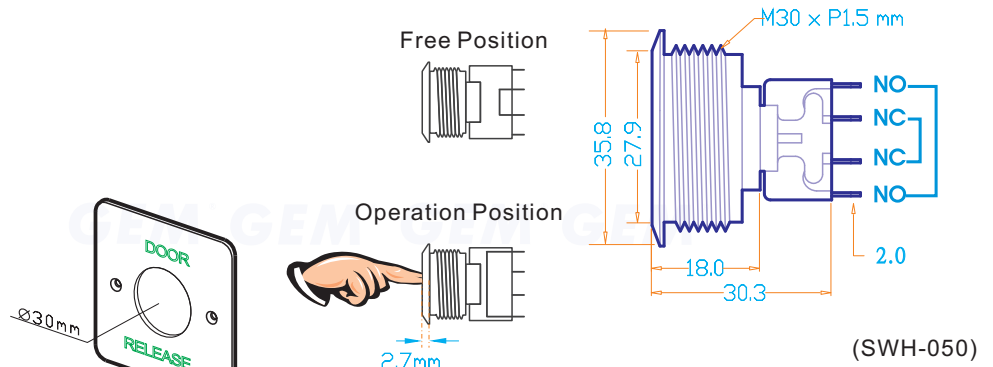
PBT-430BS-DR



PBT-430BS-F



PBT-430BS-BL



Switch Specifications

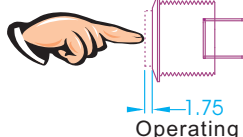
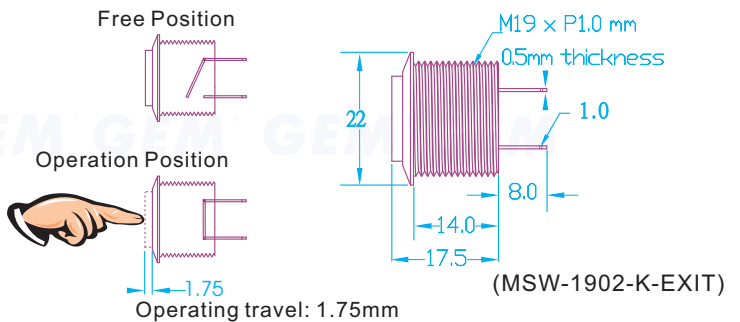
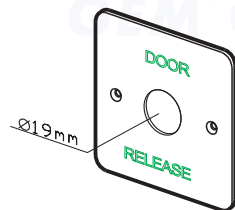
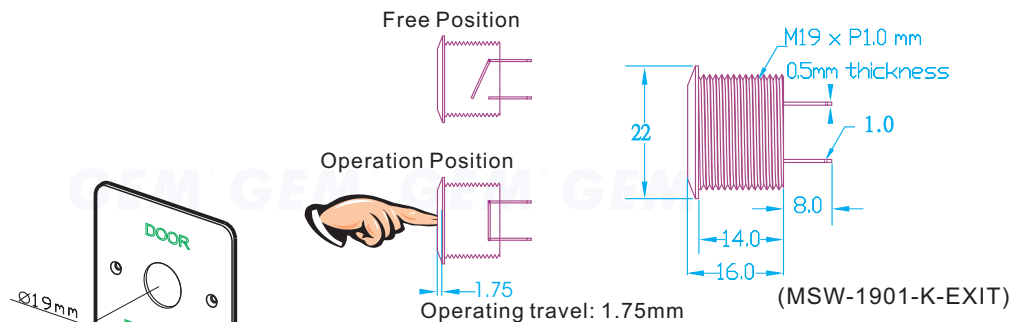
Max. Ratings : 5A@125/250 Vac
 Type of actuation: Momentary
 Contact arrangement: Double pole double throw
 Operating travel: 2.7mm
 Operating temp. Range: -20~+70C
 Contact resistance: 50mΩ Max.(initial)
 Operating life(Mechanical) : Over 100,000 times
 Materials: Stainless steel



PBT-8585BS-1



PBT-8585BS-2



Max. Ratings : 5mA@12Vdc
 Type of actuation: Momentary
 Contact arrangement: Single pole single throw (N.O.)
 Operating travel: 1.75mm
 Operating temp. Range: -20~+70C
 Contact resistance: 1kΩ Max.(initial)
 Operating life(5mA 5Vdc) : Over 100,000 times
 Materials: Stainless steel



GIANNI INDUSTRIES, INC.

No. 13, Zhong Sing Road, Tu-Cheng Industrial Zone,
 Tu-Cheng City, Taipei, Taiwan 23678
 Tel: 886-2 2267 7986 / Fax: 886-2 2267 9876
 E-Mail: info@gianni.com.tw
 Website: gianni.tw
 Copyright 2008 Gianni industries, inc. All rights reserved.
 DM-CA-PBT-British Ver. I Published on 2008.08.12

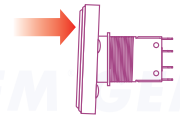
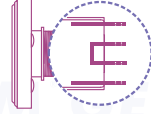


The products are manufactured under an ISO 9001 & QC 080000 Certified Quality Management Program environment back its product quality, performance and commitment to customer satisfaction.



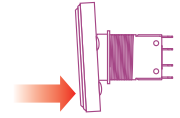
PBT-450BS

Free Position



PBT-451BS

Operation Position



You can use the pushbutton at any angle.

Operating travel:
2.7mm



PBT-452BS

Switch Ratings : 5A@125 Vac
Type of Actuation: Momentary
Contact Arrangement: Double pole double throw
Operating travel: 2.7mm
Operating temp. Range: -20~+70C
Contact resistance: 50mΩ Max.(initial)
Operating life(Mechanical) : Over 100,000 times
Materials: Zinc alloy



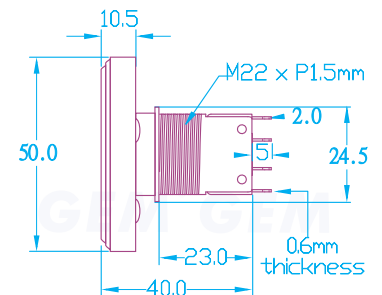
PBT-453BS



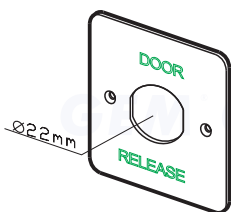
PBT-454BS



PBT-455BS



(SWH-250)



GIANNI INDUSTRIES, INC.



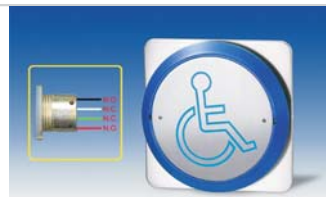
No. 13, Zhong Sing Road, Tu-Cheng Industrial Zone,
Tu-Cheng City, Taipei, Taiwan 23678
Tel: 886-2 2267 7986 / Fax: 886-2 2267 9876
E-Mail: info@gianni.com.tw
Website: gianni.tw
Copyright 2008 Gianni industries, inc. All rights reserved.
DM-CA-PBT-British Ver. I Published on 2008.08.12



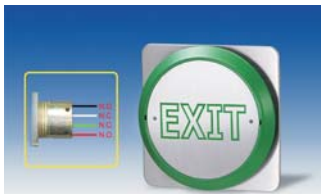
The products are manufactured under an ISO 9001 & QC 080000 Certified Quality Management Program environment back its product quality, performance and commitment to customer satisfaction.



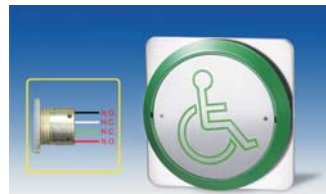
PBT-860BS-B



PBT-861BS-B



PBT-860BS-G



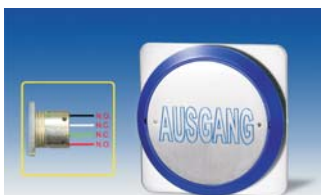
PBT-861BS-G



PBT-860BS-R



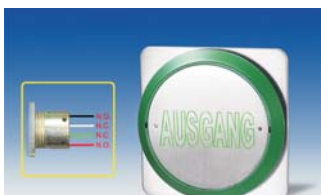
PBT-861BS-R



PBT-863BS-B



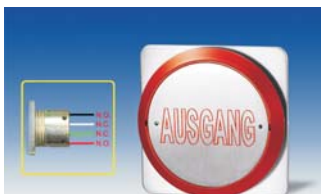
PBT-864BS-B



PBT-863BS-G



PBT-864BS-G



PBT-863BS-R



PBT-864BS-R

Free Position

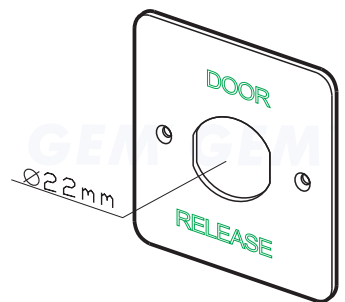
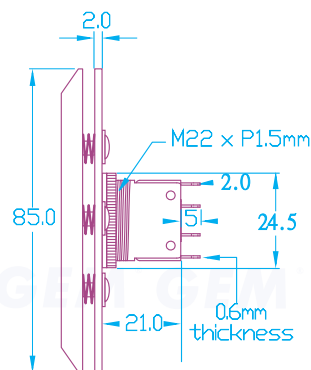


Operation Position



Operating travel:
2.7mm

You can use the pushbutton
at any angle.



Switch Ratings : 5A@125 Vac
Type of Actuation: Momentary
Contact Arrangement: Double pole double throw
Operating travel: 2.7mm
Operating temp. Range: -20~+70C
Contact resistance: 50mΩ Max.(initial)
Operating life(Mechanical) : Over 100,000 times
Materials: Zinc alloy

GIANNI INDUSTRIES, INC.



No. 13, Zhong Sing Road, Tu-Cheng Industrial Zone,
Tu-Cheng City, Taipei, Taiwan 23678
Tel: 886-2 2267 7986 / Fax: 886-2 2267 9876
E-Mail: info@gianni.com.tw
Website: gianni.tw
Copyright 2008 Gianni industries, inc. All rights reserved.
DM-CA-PBT-British Ver. I Published on 2008.08.12



The products are manufactured under an ISO 9001 & QC 080000 Certified Quality Management Program environment back its product quality, performance and commitment to customer satisfaction.

Free Manuals Download Website

<http://myh66.com>

<http://usermanuals.us>

<http://www.somanuals.com>

<http://www.4manuals.cc>

<http://www.manual-lib.com>

<http://www.404manual.com>

<http://www.luxmanual.com>

<http://aubethermostatmanual.com>

Golf course search by state

<http://golfingnear.com>

Email search by domain

<http://emailbydomain.com>

Auto manuals search

<http://auto.somanuals.com>

TV manuals search

<http://tv.somanuals.com>