



● Features

- Hidden-Magnet design
- High reliability
- Fail- safe operation (Power to Lock).
- Five years warranty.
- Anodized aluminum housing.
- MOV provides spike and surge protection.
- Adjustable mounting plate for easy installation.
- Dual voltage 12 or 24 VDC (selectable).
- Anti-Residual magnetism designed.

● Statement

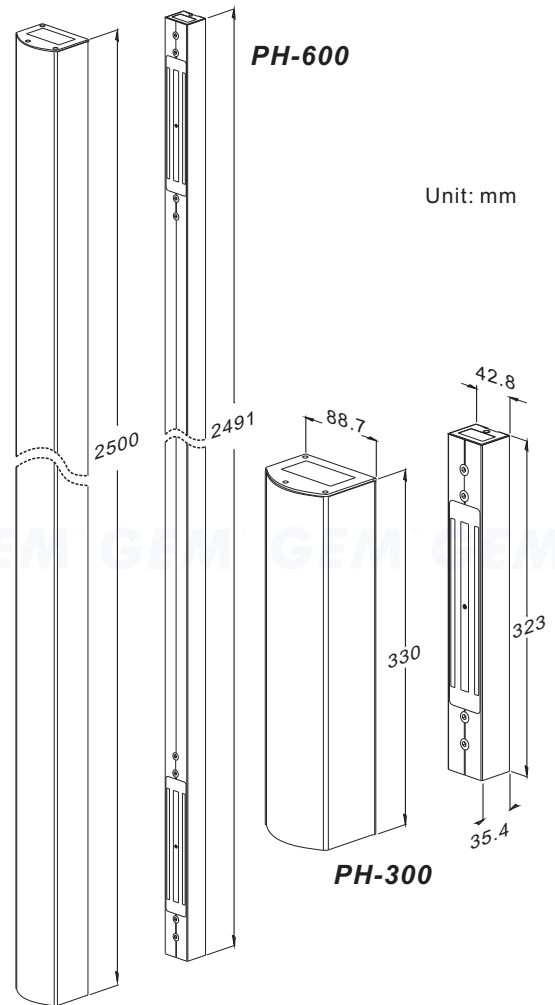
The series of PH-300 and PH-600 Electromagnetic Locks are not only maintaining the great features and proven performance of the ordinary Electromagnetic Locks but also provide the latest revolutionary feature. The latest revolution for the new series of Electromagnetic Locks is to combine the Armature Plate with the door handle like bracket to become an Armature Assembly, which hides the Armature Plate inside the door handle like bracket. The latest design let the whole set of Electromagnetic Lock can be installed vertically in the middle of the doorframe. It improves the 'unbalance' problem of the ordinary Electromagnetic Locks, which have to be installed at the top corner of the doorframe. The latest revolutionary feature of the 'door handle like bracket' can also replace the ordinary door handle and work perfectly with the doorframe.

The installation is very simple without any other accessories. The Armature Assembly and the Electromagnetic Lock can be directly mount on the door frame and the door separately, since the Armature Assembly and the Electromagnetic Locks are fully assembled by the manufacturer before they out of the factory. The extra tool kit provided within the set is used to fix the blind nuts and fixing screws in order to strongly hold the whole set of Electromagnetic Locks on the door or door frame for extra safety usage.

PH-300 Electromagnetic Locks provide 600LBS holding force and can be applied on normal in-swinging door. PH-600 Electromagnetic Locks have 2 internal Electromagnetic Lock sets, which can provide 1200LBS holding force. The 2.5 meter length is suitable for large doors. The internal Build-in door position sensor (magnet bond sensor output) indicates door open or closed.

PH-300M and PH-600M Electromagnetic Lock are upgraded

● Dimension



● Specifications

- Voltage Tolerance: 15%
- Current Draw:
 - PH-300 PH-300M: 280mA@12Vdc
 - PH-600 PH-600M: 280mA@12Vdc X 2
 - (at temperature 20°C)
- Magnetic bond sensor monitor output (SPDT rated 3A@12V DC), remotely monitors the door lock or unlock status. (N.C. Output--Door opened; N.O. Output--Door closed)
- Operating Temperature: -10~55C) 14~131F(
- Humidity: 0~95% non-condensing.
- Holding Force:
 - PH-300 PH-300M: Up to 600 lbs)272 Kg(
 - PH-600 PH-600M: Up to 1200 lbs)545 Kg(
- Special Finishes for magnet and armature plate: Zinc
- Epoxy Potting Compound: E87252 (S), UL94V-0

GIANNI INDUSTRIES, INC.

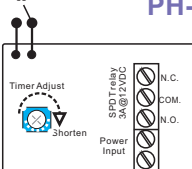
No. 13, Zhong Sing Road, Tu-Cheng Industrial Zone,
Tu-Cheng City, Taipei, Taiwan 23678
Tel: 886-2 2267 7986 / Fax: 886-2 2267 9876
E-Mail: info@gianni.com.tw
Website: gianni.tw
Copyright 2008 Gianni industries, inc. All rights reserved.
DM-CA-PH-300-600. Ver. C Published on 2008.04.30



The products are manufactured under an ISO 9001 & QC 080000 Certified Quality Management Program environment back its product quality, performance and commitment to customer satisfaction.

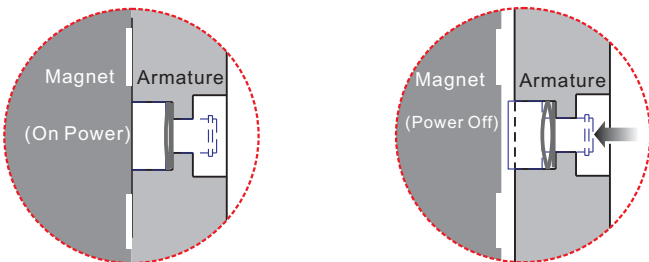
● Operating Features

PH-300TD: Re-locking time delay



Relocking Time Delay Switch ensures the automatically turns to lock mode after the door is closed properly and it can be adjusted from 0 to 90 seconds.

● Unique Anti-Residual design



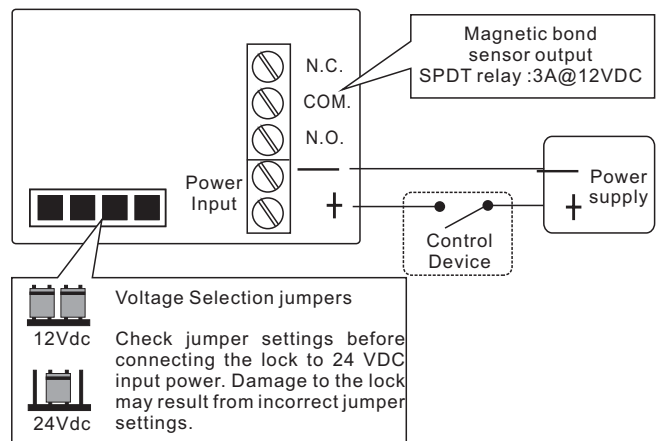
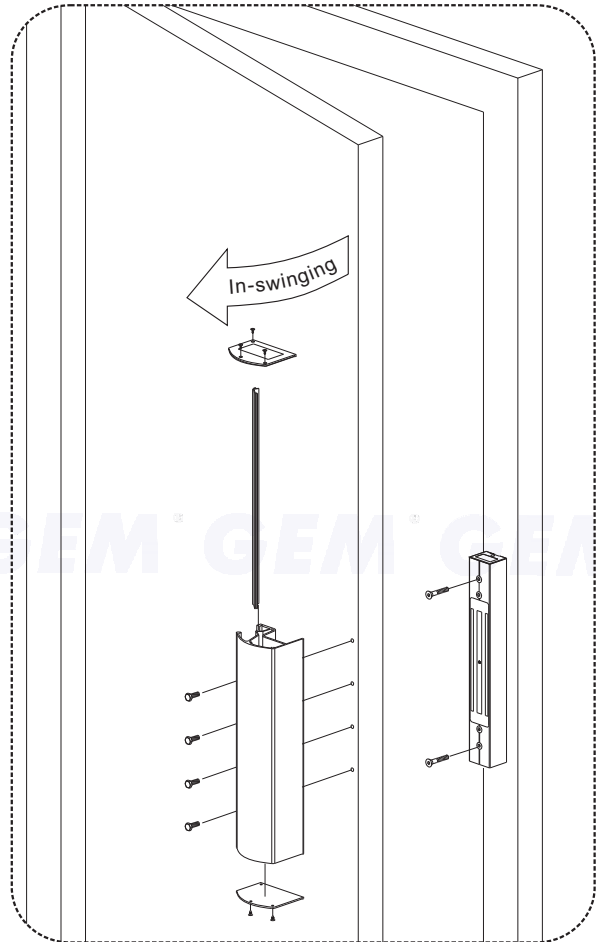
Unique Anti-Residual design

When there is no power, there will be no holding force, and the push-off button inside the Armature Plate will pop out immediately to release the Electromagnetic Lock and the Armature Plate. The instant release circuit function will prevent residual magnetism between Electromagnetic Lock and the Armature Plate.

● Warranty

The product is warranted against defects in material and workmanship while used in normal service for a period of 1 year from the date of sale to the original customer. The GEM policy is one of continual development and improvement; therefore GEM reserves the right to change specifications without notice.

● Application



GIANNI INDUSTRIES, INC.

No. 13, Zhong Sing Road, Tu-Cheng Industrial Zone,
Tu-Cheng City, Taipei, Taiwan 23678
Tel: 886-2 2267 7986 / Fax: 886-2 2267 9876
E-Mail: info@gianni.com.tw
Website: gianni.tw
Copyright 2008 Gianni industries, inc. All rights reserved.
DM-CA-PH-300-600 Ver. C Published on 2008.04.30



The products are manufactured under an ISO 9001 & QC 080000 Certified Quality Management Program environment back its product quality, performance and commitment to customer satisfaction.

Free Manuals Download Website

<http://myh66.com>

<http://usermanuals.us>

<http://www.somanuals.com>

<http://www.4manuals.cc>

<http://www.manual-lib.com>

<http://www.404manual.com>

<http://www.luxmanual.com>

<http://aubethermostatmanual.com>

Golf course search by state

<http://golfingnear.com>

Email search by domain

<http://emailbydomain.com>

Auto manuals search

<http://auto.somanuals.com>

TV manuals search

<http://tv.somanuals.com>