



● Features

1. European Sized Face Plate
2. Infrared, adapts to any environment
3. 10 cm Proximity Range
4. Suitable for any Access Control Units
5. Emergency Push Button

● Statement

The RTS-500 Infrared Sensor Exit Device and access control package has many different ways of connection, and the diagrams below, illustrate two recommended ways of connection.

In Fig A, the Locking Device was released by connecting the Control Device (as Keypad Proximity reader...etc.), RTS relay output to 'Request-to-exit input contact' on control device, therefore it is better to adjust the RTS relay timer to the shortest time.

In Fig. B, the release time of Locking Device was controlled by RTS relay output directly; therefore, the relay time of RTS is the release time of Locking Device.

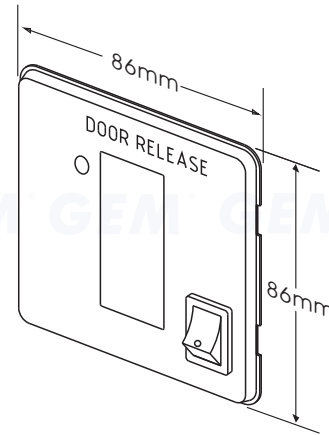
● Specifications

- Operating Voltage: DC +12V
- Current Draw: Average 50mA, Peak 60mA @ 12Vdc
- Sensor Range: Up to 10 cm (18% gray reflection)
- Relay Rating: 3A 125VAC/30VDC
- Relay Timer: 0.5, 5, 10, 20 Seconds.
- Case Material: ABS(UL94V0)
- Operating Temperature: -20~+70C
- Ambient Humidity: 5~95% relative humidity non-condensing
- Visual Signals: Bi-colour LED display with audible Indication

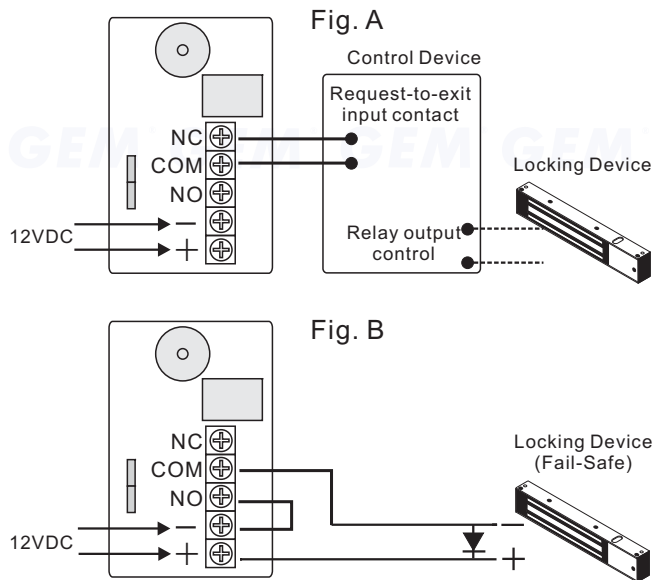
Relay Timer:

- 0.5 seconds
- 5 seconds
- 10 seconds
- 20 seconds

● Dimension



● Application



● Warranty

The product is warranted against defects in material and workmanship while used in normal service for a period of 1 year from the date of sale to the original customer. The GEM policy is one of continual development and improvement; therefore GEM reserves the right to change specifications without notice.

GIANNI INDUSTRIES, INC.

No. 13, Zhong Sing Road, Tu-Cheng Industrial Zone,
Tu-Cheng City, Taipei, Taiwan 23678
Tel: 886-2 2267 7986 / Fax: 886-2 2267 9876
E-Mail: info@gianni.com.tw
Website: gianni.tw
Copyright 2008 Gianni industries, inc. All rights reserved.
DM-CA-RTS Ver. D Published on 2008.05.16



The products are manufactured under an ISO 9001 & QC 080000 Certified Quality Management Program environment back its product quality, performance and commitment to customer satisfaction.

Free Manuals Download Website

<http://myh66.com>

<http://usermanuals.us>

<http://www.somanuals.com>

<http://www.4manuals.cc>

<http://www.manual-lib.com>

<http://www.404manual.com>

<http://www.luxmanual.com>

<http://aubethermostatmanual.com>

Golf course search by state

<http://golfingnear.com>

Email search by domain

<http://emailbydomain.com>

Auto manuals search

<http://auto.somanuals.com>

TV manuals search

<http://tv.somanuals.com>