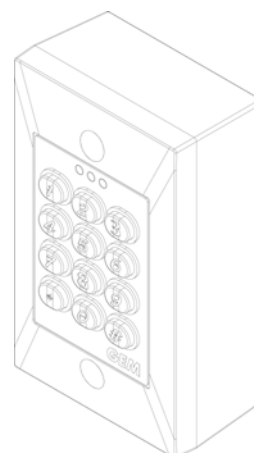


ST-630E Stand-Alone Access Control Operation Manual

I Features

- Master Card and Codes
- Auto Reset Function
- Security System Setting/ Release
- Synchronize with Security System
- Entering/Exiting Programming Mode: Only Proximity Codes + Proximity, Codes or Proximity
- Door Status Monitor Function
- Anti Pass Back Function
- Emergent Access Alarm, Time Delay Alarm and Forced Door Alarm output
- Dual relays programmable On/Off or pulsed or latched mode
- LED Indicator to distinguish the status
- Use for all kinds of the electric lock.



II . The Specifications:

Part No.	ST-630E
Connection	Connection/ Stand-alone
/Users	1000
/Record Volumes	1000
Reader Application	WG26,WG34
Keys	12 Keys (0-9, *,#)
Interface	RS485
Proximity Distance	About 125 and 15 cm/13.56 for around 7 cm
Proximity Frequency	125Khz (EM)
Indicators	3 LEDs
Dimension (mm)	114(L) x 69.5(W) x 10(D)mm
Operating Voltage:	12 VDC
Temperature	-5 C-60 C
Humidity	5%-95%(Non-condensing)

III Indicators Status and Default Value

Beep & LED indication:

	Mode	Signal	Status
LED	Normal	Yellow(flashing slowly)	Power-on, stand-by
		Green On	Valid entry, door relay active
		Red	Warning, invalid card or code, tamper, alarm relay active
	Programming	Yellow(flashing Quickly)	Enter Programming Mode.
Red flashing Quickly)		Card read, or clear the memory	
Beep	Normal	1 Beep	Invalid card · keypress · entry program mode
		2 Beep	Invalid cards, Mistake Codes
	Programming	1 Beep	Valid Entry, exit the Program Mode.
		2 Beep	Input mistake or other failure operation

Factory Default Setting:

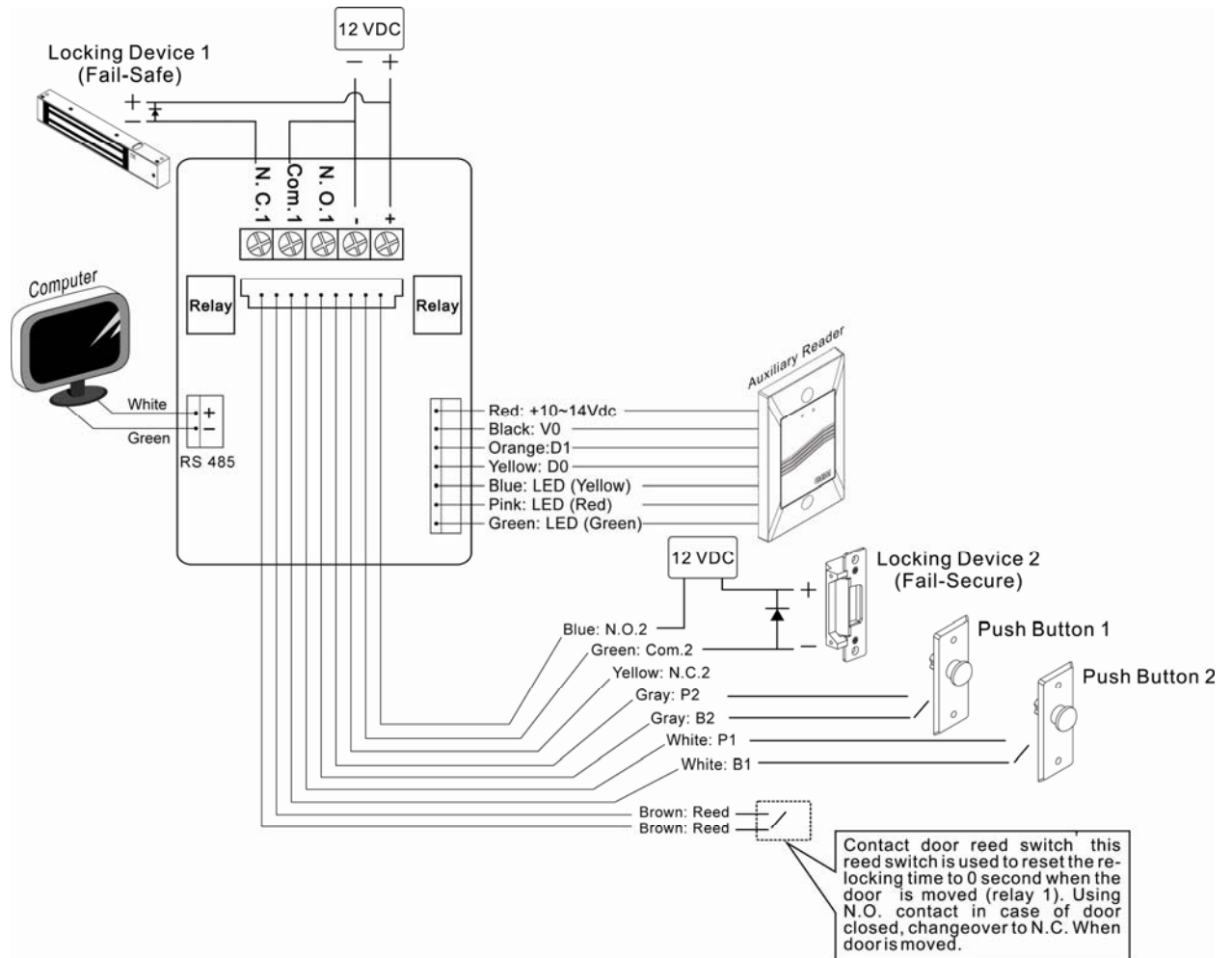
Access Mode	Card only (0000)
Card Memory	All Bits
Transaction Memory (MAX 1000 cards)	0 pcs
Master codes (Master Password)	*123456#
(All) Functions of Alarm	Clear the function (00)
Door Relay Time	5 Seconds
Key Timeout	5 Seconds
Awaiting code timeout	5 Seconds
Programming mode timeout	25 Seconds

IV Operation Instruction:

*xxxxxx#	Enter Program Mode , Enter 6-digital Codes , (Default 123456)
* #	Exit Program Mode
01*xxxxxx xxxxxx #	Change Default Password, Press twice new 6-digital Codes
02*xxxx #	Controller Station Setting [001-254]
05*xxx#	Access only with the password, 0000-Unavailable (Default, 0000)
10*xxxx*XXXXXXXXXX #	Adding or Revised the Cards No. Slot Position =00001~01000 and enter the 10 digital Cards No.
12*XXXX*XXXXX#	Adding the batch series Cards No.. XXXX=the beginning position *XXXXX=the quantities of the batch series card No. (The access mode is for Card Only) (ps. $x \leq 01000$)
13*xxxxx*XXXXX*N #	Modify the cards access parameter xxxxx= The beginning slot position XXXXX= the ending slot position From=00001~01000 N is 0= Access not allow , 1=Card only , 2=Cards or Code , 3=Card & Code , 4= Clear card information (When modify the Mode to "Card or Code" or " Card & Code" , the default Code is 0000.
14*xxxxx*XXXX#	Set the position of the Code; xxxxx=slot position XXXX=4-digital Code (Position =00001~01000)
15*99#	Clear all Cards (Not including Master Cards)
17*xxxxxxxxxxx#	When forget the Cards slot position , can clear the cards information by enter Cards No..
21*xxx#	Alarm Time Delay Setting xxx=000~255 Seconds
22*xxx#	Dual relays programmable time delay xxx=000~250 Seconds (External Relay for Security System) (000 Latched Operation) (Default is 15 Seconds)
25*X#	Master Cards Setting x=(1 or 2). 2 Master Card available In the normal status, proximity the Master cards to Program Mode.
26*xxxxx*XXXXX#	Security Cards arrange Setting XXXXX=00001~01000 .The arrange of the No. should be continuing which can't skip the No.
30*x#	x=0 General Setting Mode (Default x=0) x=1 Card Only. Access the door by reading cards that no matter the cards are set into the system or not.
32*x#	Anti Pass Back Function x=0/ OFF X=1/ ON
33*x#	Two Doors Synchronize x=0 OFF X=1 ON , Access

	Controller and Reader can open different doors.
34*99#	Reset the function of Anti Pass Back.
35*x# (for connecting controller)	x=1= access record to duty x=0= access record Not to Duty (x= default is 0)
38*x#	x=0 Green LED is controlled by Controller x=1 Green LED is controlled by external system (The second Relay contact to the Door Status and negatron (-) , Green LED flash can synchronize with Security System.
51*99#	Reset to Default, and clean the controller memory to the factory default
55*99#	Add New Cards , read card once and 1 Beep heard for adding the new card. Read card twice and 2 Beep heard to delete the cards. (After add Cards , the default access mode is "Card Only")
70*X# [For LCD series]	X=0 Screen Backlight ON , x=1 Screen Backlight Off automatically
71*XXXXXX XXXXXX #	Emergent Code Setting , Enter twice 6-Digital Code . Enter the Code can link to the other relay to activate the external system. 22*xxx # for setting the active time. (second)
72*xxx#	xxx=000~255 Seconds Door Left Open Alarm Time Delay - The door does not close after the limited time, and the controller will output the alarm.
73*x #	x=1 Enter the emergent code or press 99* with Security Cards, the relay of the controller/ ON; X=0 OFF
74*x#	X=1 Door Left Open Alarm and Force Open Mode are ON; X=0 OFF
76*x#	X=1 Emergent Alarm /ON , x=0 OFF
99*	When setting or Release the External Relay, Please enter the codes99*and then read the security card. (Operating in the Normal Mode.)

V 、 Wiring diagram:



Free Manuals Download Website

<http://myh66.com>

<http://usermanuals.us>

<http://www.somanuals.com>

<http://www.4manuals.cc>

<http://www.manual-lib.com>

<http://www.404manual.com>

<http://www.luxmanual.com>

<http://aubethermostatmanual.com>

Golf course search by state

<http://golfingnear.com>

Email search by domain

<http://emailbydomain.com>

Auto manuals search

<http://auto.somanuals.com>

TV manuals search

<http://tv.somanuals.com>