

### ● Statement

WPB wireless Push Button units which can be applied to distant access control. WPB series is not only convenient for people who do not work in the same location constantly that are able to unlock the door from distance, but also a best choice for the locations which are difficult to set necessity cables.



WPB-900



WPB-025JS

### ● Specifications

#### Remote Transmitter

1. Power: 12V battery
2. 433 KHz transmitting frequency
3. LED indicator: Judge the volume of dry battery at 12V by LED's brightness.
4. Transmitting distance for the antenna: Max. 50 ~ 60 M
5. Embedded modules: Hopping Code IC
6. The Lowest voltage: Not under 6.28V for the battery of remote transmitter

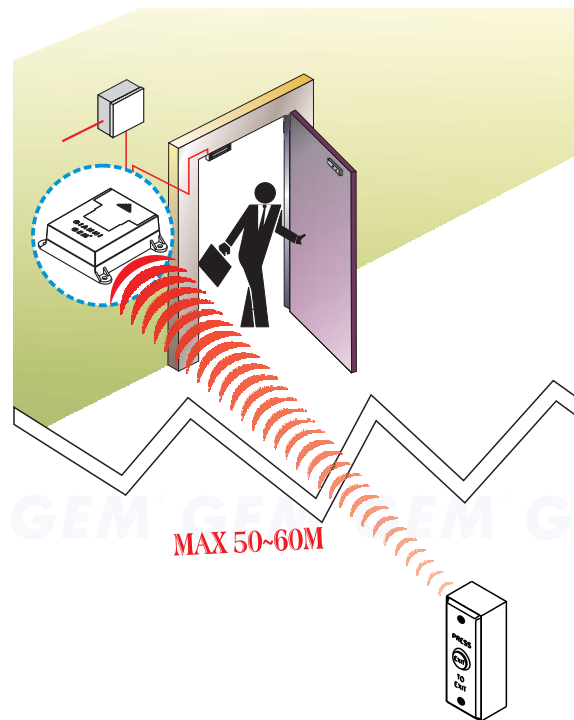
#### RF Hopping Code Controller

1. Power: DC12~24V
2. Output contact: SPDT rated 3A@12V DC dry contact
3. Buzzer indicator: The receiver will alarm from the internal buzzer as a signal of low-battery which is under DC9.2V.
4. LED indicator:
  - Green LED: Power
  - Red LED: Receive & input
5. Timer setting: 1, 3, 5, 10 seconds
6. The quantity of saving remote transmitter: 6 pcs

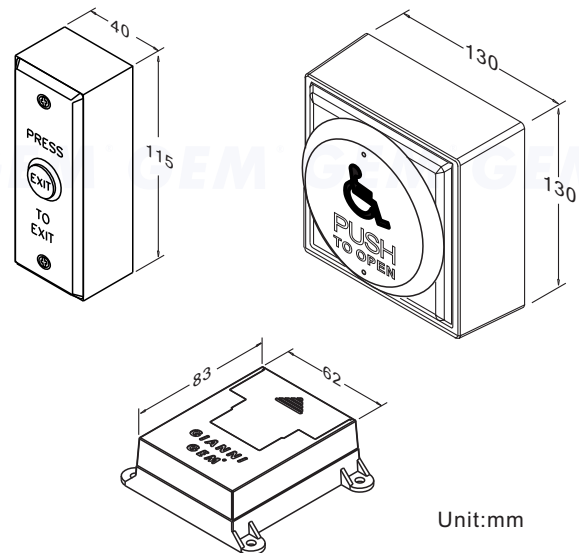


Remote Transmitter

### ● Application



### ● Dimension



### ● Warranty

The product is warranted against defects in material and workmanship while used in normal service for a period of 1 year from the date of sale to the original customer. The GEM policy is one of continual development and improvement; therefore GEM reserves the right to change specifications without notice.



GIANNI INDUSTRIES, INC.

No. 13, Zhong Sing Road, Tu-Cheng Industrial Zone,  
Tu-Cheng City, Taipei, Taiwan 23678  
Tel: 886-2 2267 7986 / Fax: 886-2 2267 9876  
E-Mail: info@gianni.com.tw  
Website: gianni.tw  
Copyright 2008 Gianni industries, inc. All rights reserved.  
DM-CA-WPB Ver. C Published on 2008.07.07



The products are manufactured under an ISO 9001 & QC 080000 Certified Quality Management Program environment back its product quality, performance and commitment to customer satisfaction.

## Free Manuals Download Website

<http://myh66.com>

<http://usermanuals.us>

<http://www.somanuals.com>

<http://www.4manuals.cc>

<http://www.manual-lib.com>

<http://www.404manual.com>

<http://www.luxmanual.com>

<http://aubethermostatmanual.com>

Golf course search by state

<http://golfingnear.com>

Email search by domain

<http://emailbydomain.com>

Auto manuals search

<http://auto.somanuals.com>

TV manuals search

<http://tv.somanuals.com>