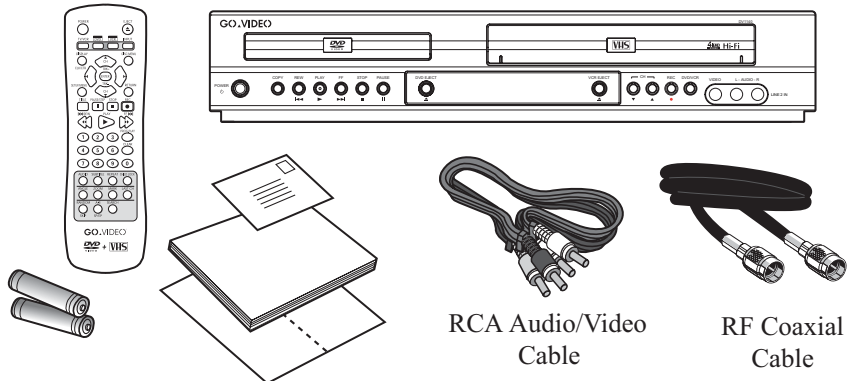


Unpack Your DV1140

- DVD+VCR
- Remote control
- 1.5V AAA batteries (2)
- RF coaxial cable
- RCA Audio/Video cable
- User's guide
- Read Me First/Quick Reference Guide
- Registration card

Insert Batteries

- 1 Remove battery cover.
- 2 Insert two 1.5V AAA batteries, paying attention to the correct polarities (+/-).
- 3 Replace cover.



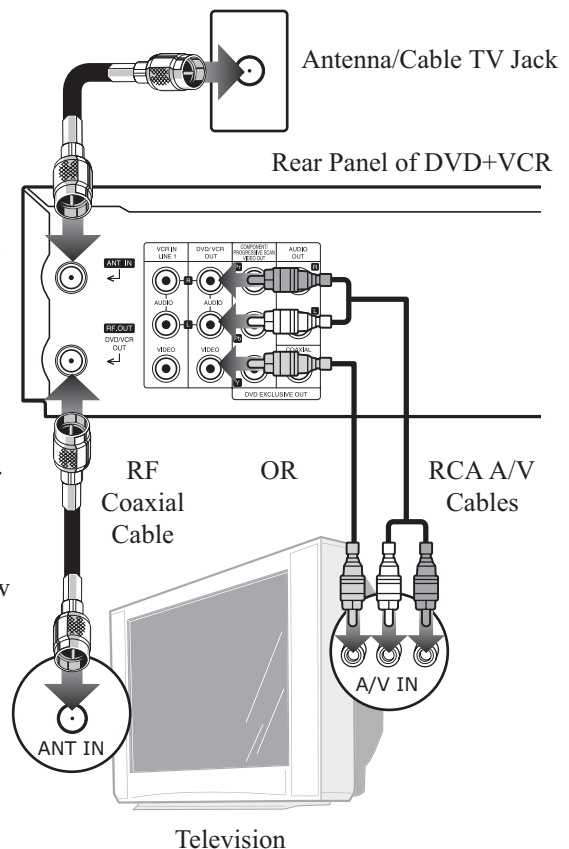
:: Basic Connections

To get started, you will need to connect the DVD+VCR to your TV. The DVD+VCR clock will be set automatically.

- 1 Connect Antenna/Cable** Connect your antenna or basic cable TV jack to the ANT. IN jack on the rear panel. See the User's Guide for cable box/satellite receiver connections.
- 2 Connect TV** Choose one of the following methods:
 - a. RF Out Connection** Using the supplied RF coaxial cable, connect the RF OUT jack on the back panel of the DVD+VCR to your TV's Antenna Input, or...
 - b. Line Out Connection** Using the supplied RCA Audio/Video cable (with the red, white, and yellow connectors), connect the DVD/VCR OUT jacks on the back panel of the DVD+VCR to your TV's Audio/Video In jacks.
- 3 Plug In** Plug in the DVD+VCR.
- 4 Turn On the DVD+VCR** Press the POWER button on the remote control or front panel of the unit.
- 5 Turn On Your TV** Press the POWER button on your TV.
- 6 Set Your TV to View the DVD+VCR** Turn your TV to channel 3 to view the DVD+VCR. If you are using the Line Connection method, set your TV to the appropriate Line or Video input.



- You must use either the RF Out or Line Out connection between your TV and DVD+VCR, even if you plan to use the S-Video or Component Video Output for improved DVD picture quality.
- The S-Video and Component Video Outputs are for DVD playback only!
- See the User's Guide for advanced connections.



STEREO

Hi-Fi

Questions?



DO NOT RETURN THIS PRODUCT TO THE STORE!

Our Award-Winning Customer Service Professionals are Ready to Help!

1 Call Us!
For Fast, Friendly Service

1-800-736-7679

2 E-Mail Us!
For a Prompt Reply

customersupport@govideo.com

3 Or Check Our Website!
For the Latest FAQs

www.govideo.com

Thank You!

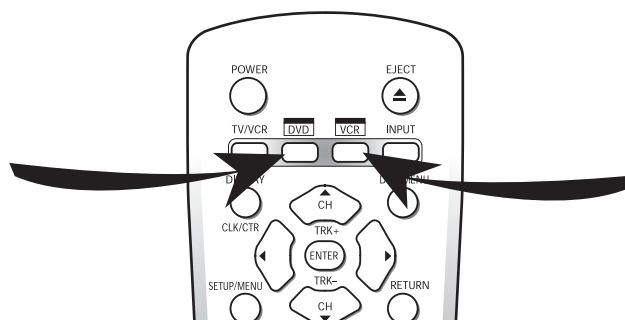


- CD-ROM, CD+G, and CD-i discs cannot be played on this DVD player.

:: Basic Controls

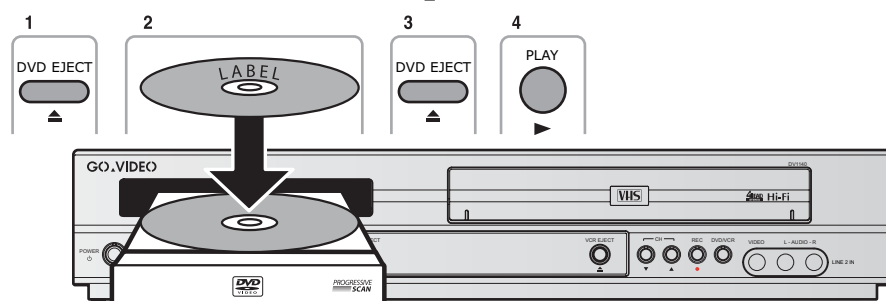
Two Decks, One Set of Controls!

DVD Button - Press to control the DVD deck. All deck control keys and blue labeled buttons will operate the DVD player.



VCR Button - Press to control the VCR deck. All deck control keys and red labeled buttons will operate the VCR.

:: Basic Disc Playback



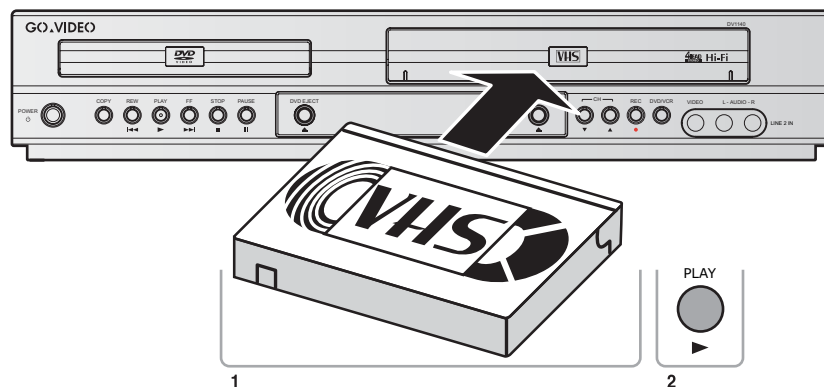
To Play a DVD or CD

- 1 Press EJECT on the remote control or DVD EJECT on the front panel to open the disc drawer. The DVD+VCR will power on automatically when you open the disc drawer.
- 2 Place the disc in the drawer with the label side facing up. If the disc has two sides, place the disc with the desired side facing up.
- 3 Press EJECT or DVD EJECT again to close the disc drawer.
- 4 Press PLAY ► to begin playback. Many discs will begin playback automatically when the disc drawer closes.



- If the DVD has a disc menu, or more than one title, the disc menu may appear. If so, press ▲/▼ and ◀/▶ to highlight menu items, then press ENTER to make selections.

:: Basic VCR Playback



To Play a VHS Tape

- 1 Insert a VHS tape into the VCR deck. The DVD+VCR will power on automatically when you insert the tape.
- 2 Press PLAY ► to begin playback.



- If the tape is missing the record safety tab and Auto Play is turned on, the tape will begin playing automatically.

Free Manuals Download Website

<http://myh66.com>

<http://usermanuals.us>

<http://www.somanuals.com>

<http://www.4manuals.cc>

<http://www.manual-lib.com>

<http://www.404manual.com>

<http://www.luxmanual.com>

<http://aubethermostatmanual.com>

Golf course search by state

<http://golfingnear.com>

Email search by domain

<http://emailbydomain.com>

Auto manuals search

<http://auto.somanuals.com>

TV manuals search

<http://tv.somanuals.com>