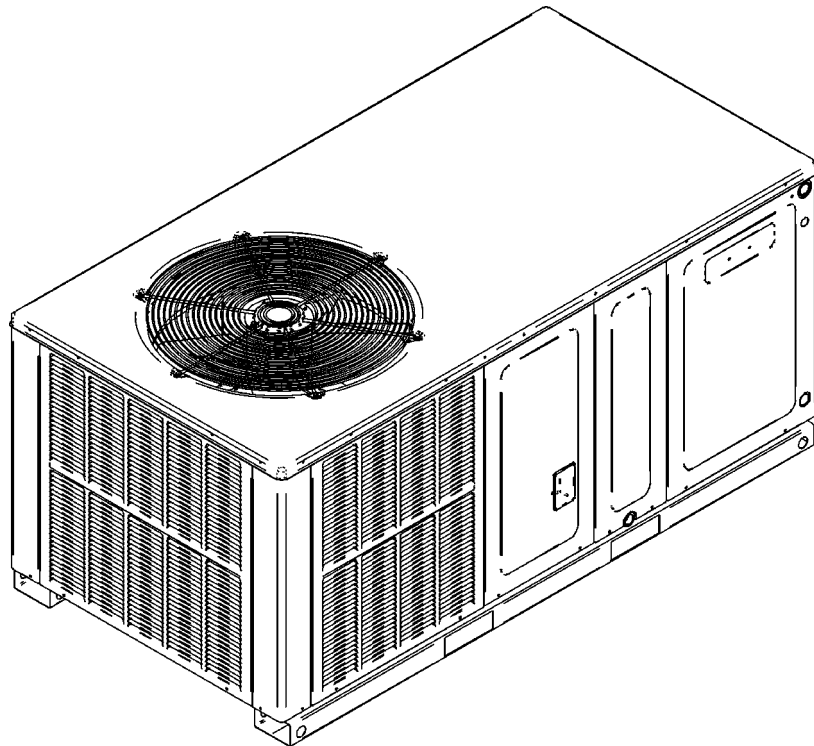


REPAIR PARTS

GPC14 H-Series R410-A Package Coolers

GPC1424H41AB
GPC1430H41AB
GPC1436H41AB
GPC1442H41AB
GPC1448H41AB



This manual is to be used by qualified technicians only.

This manual replaces RP-622

© 2010 Goodman Manufacturing Company, L.P. ♦ 5151 San Felipe, Suite 500 ♦ Houston, TX 77056

Important Information

Index

Functional Parts List	3
Illustration and Parts	4 - 13

Views shown are for parts illustrations only, not servicing procedures.

Revision A: Added models GPC1424H41AB and GPC1430H41AB.

Text Codes:

AR - As Required

NA - Not Available

NS - Not Shown

00000000 - See Note

QTY - Quantity Example (QTY 3) (If Quantity not shown, Quantity = 1)

M - Model Example (M1) (If M Code not shown, then part is used on all Models)

Expanded Model Nomenclature:

Example M1 - Model#1 M2 - Model#2 M3 - Model#3

Goodman Manufacturing Company, L.P. is not responsible for personal injury or property damage resulting from improper service. Review all service information before beginning repairs.

Warranty service must be performed by an authorized technician, using authorized factory parts. If service is required after the warranty expires, Goodman Manufacturing Company, L.P. also recommends contacting an authorized technician and using authorized factory parts.

Goodman Manufacturing Company, L.P. reserves the right to discontinue, or change at any time, specifications or designs without notice or without incurring obligations.

For assistance within the U.S.A. contact:
Consumer Affairs Department
Goodman Manufacturing Company, L.P.
7401 Security Way
Houston, Texas 77040
877-254-4729-Telephone
713-863-2382-Facsimile

For assistance outside the U.S.A. contact:
International Division
Goodman Manufacturing Company, L.P.
7401 Security Way
Houston, Texas 77040
713-861-2500-Telephone
713-863-2382-Facsimile

Functional Parts

Part

No: Description:

0131M00207	BLOWER MOTOR 1/2 HP PROGRAMMED (M1)
0131M00208	BLOWER MOTOR 1/2 HP PROGRAMMED (M2)
0131M00209	BLOWER MOTOR 1/2 HP PROGRAMMED (M3)
0131M00210	BLOWER MOTOR 1/2 HP PROGRAMMED (M4)
0131M00206	BLOWER MOTOR 3/4 HP PROGRAMMED (M5)
B1368016S	BLOWER WHEEL 10 X 8
CAP050350440RSS	CAPACITOR 5/35/440V (M1)
CAP050400440RT	CAPACITOR 5/40/440V (M2)
CAP050450440RT	CAPACITOR 5/45/440V (M3, M4, M5)
ZP20K5EPFV130	COMPRESSOR 20000, 208/230/60/1 (M1)
ZP24K5EPFV130	COMPRESSOR 24000, 208/230/60/1 (M2)
ZP31K5EPFV830	COMPRESSOR 31100, 208/230/60/1 (M3)
ZP34K5EPFV130	COMPRESSOR 34500, 208/230/60/1 (M4)
ZP39K5EPFV830	COMPRESSOR 39000, 208/230/60/1 (M5)
0131M00007PS	COND MOTOR 1/4 HP, 1 SP, 6 PL (M4, M5)
0131M00061S	COND MOTOR 1/4 HP, 1 SP, 8 PL (M3)
0131M00009P	COND MOTOR, 1/6 HP, 1 SP, 8 PL (M1, M2)
CONT1P025024VS	CONTACTOR 25 AMP, 1P, 24V (M1, M2, M3)
CONT1P030024VS	CONTACTOR 30 AMP, 1P, 24V (M4, M5)
0150G00004	FAN BLADE (M4, M5)
0150G00005	FAN BLADE (M1, M2)
B1086765	FAN BLADE, TYPE 3 (M3)
B1141643	TRANSFORMER 208/230, 24V

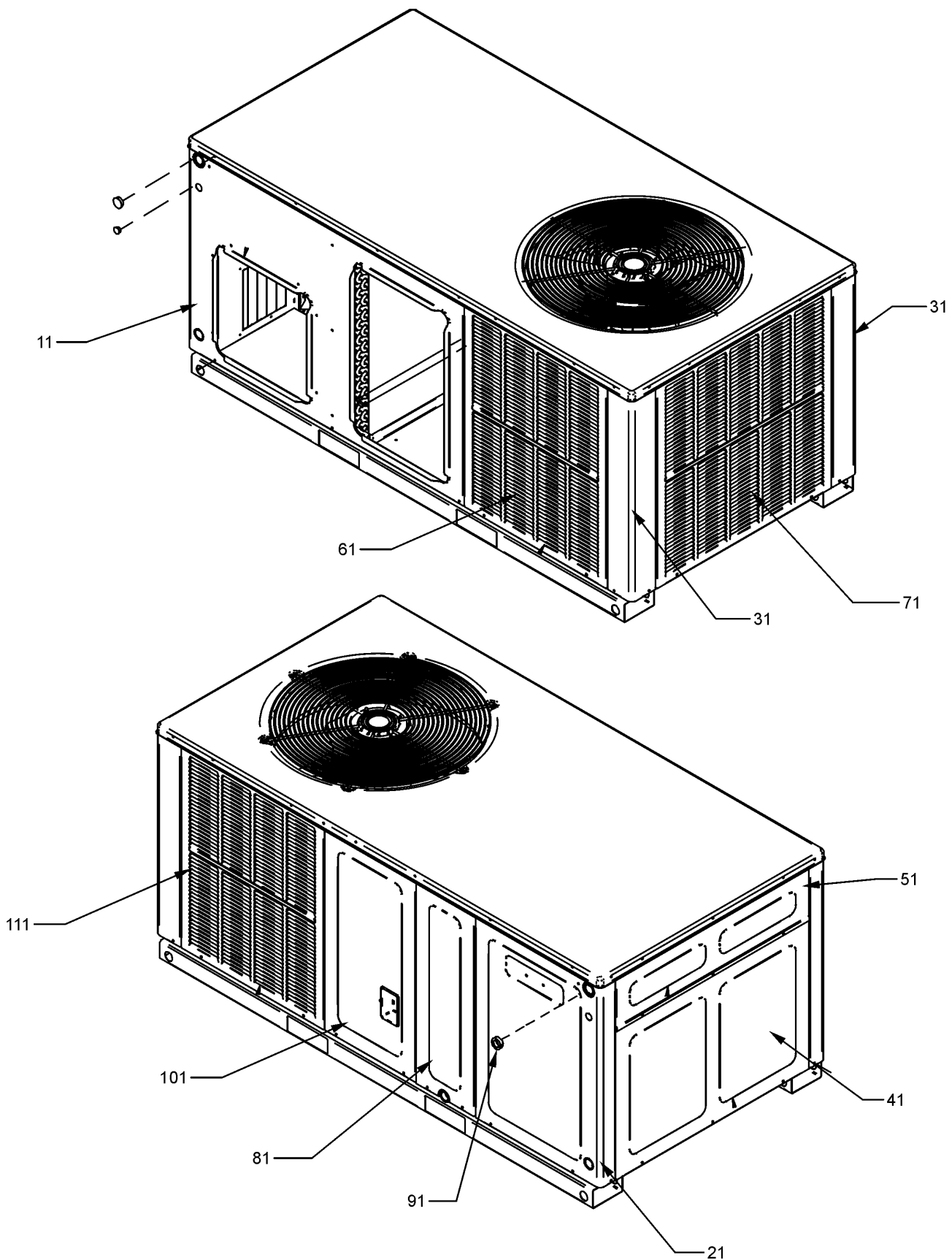
SPECIAL PARTS

IO-352B	INSTALL, INSTRUCT
B1757910	SUPPLEMENTAL INSERT (EBTDR)

Expanded Model Nomenclature

M1 - GPC1424H41AB
M2 - GPC1430H41AB
M3 - GPC1436H41AB
M4 - GPC1442H41AB
M5 - GPC1448H41AB

Cabinet Assembly



Cabinet Assembly

Ref. Part No: No:	Description:	Ref. Part No: No:	Description:
-------------------	--------------	-------------------	--------------

Image 1:

11	0270G00008PS	INSULATED ASSY, DUCT PANEL 27.5" (M1, M2, M3)
11	0270G00009PS	INSULATED ASSY, DUCT PANEL 32.5" (M4)
11	0270G00010PS	INSULATED ASSY, DUCT PANEL 36" (M5)
21	0270G00011PS	INSULATED ASSY, CORNER PANEL 27.5" (M1, M2, M3)
21	0270G00012PS	INSULATED ASSY, CORNER PANEL 32.5" (M4)
21	0270G00013PS	INSULATED ASSY, CORNER PANEL 36" (M5)
31	0121G00047PDGS	CORNER POST 27.5" (M1, M2, M3)
31	0121G00048PDGS	CORNER POST 32.5" (M4)
31	0121G00082PDG	CORNER POST 36" (M5)
41	0270G00113S	INSULATED ASSY, BLOWER DOOR 27.5" (M1, M2, M3)
41	0270G00114S	INSULATED ASSY, BLOWER DOOR 32.5" (M4)
41	0270G00115S	INSULATED ASSY, BLOWER DOOR 36" (M5)
51	0121G00276DGS	EXTERNAL CONTROL BOX PANEL
61	0121G00069PDGS	LOUVERED PANEL 4 BANK 27.5" (M1, M2, M3)
61	0121G00070PDG	LOUVERED PANEL 4 BANK 32.5" (M4)
61	0121G00090PDGS	LOUVERED PANEL 4 BANK 36" (M5)
71	0121G00072PDG	LOUVERED PANEL 5 BANK 27.5" (M1, M2, M3)
71	0121G00073PDGS	LOUVERED PANEL 5 BANK 32.5" (M4)
71	0121G00091PDGS	LOUVERED PANEL 5 BANK 36" (M5)
81	0270G00017P	EVAP PANEL INSUL ASSY-27.5" (M1, M2, M3)
81	0270G00018P	EVAP PANEL INSUL ASSY-32.5" (M4)
81	0270G00019P	EVAP PANEL INSUL ASSY-36" (M5)
91	B1392011	GROMMET / HS .62 - .45
101	0121G00062PDGS	COMPRESSOR PANEL 13.68" X 27.50" (M1, M2, M3)
101	0121G00060PDGS	COMPRESSOR PANEL 8.75" X 32.50" (M4)
101	0121G00087PDGS	COMPRESSOR PANEL 8.75" X 36" (M5)
111	0121G00069PDGS	LOUVERED PANEL 4 BANK 27.5" (M1, M2, M3)
111	0121G00073PDGS	LOUVERED PANEL 5 BANK 32.5" (M4)
111	0121G00091PDGS	LOUVERED PANEL 5 BANK 36" (M5)

Expanded Model Nomenclature

M1 - GPC1424H41AB
M2 - GPC1430H41AB
M3 - GPC1436H41AB
M4 - GPC1442H41AB
M5 - GPC1448H41AB

Chassis Assembly

Image 1

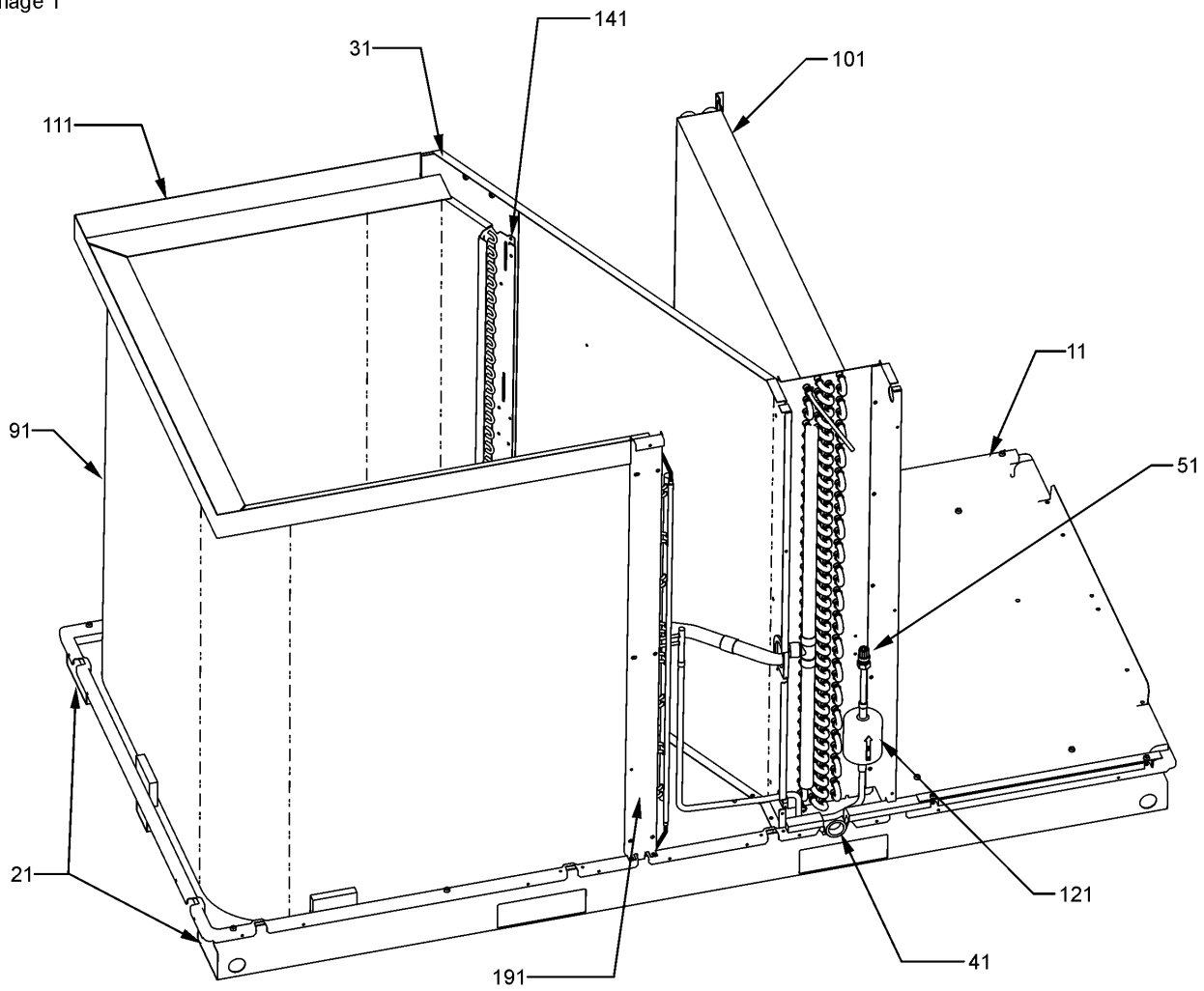
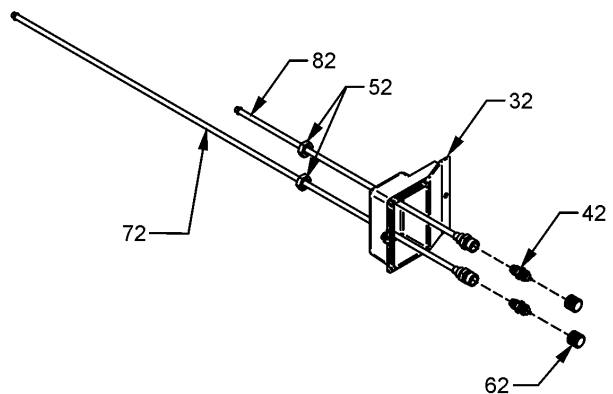


Image 2



Chassis Assembly

Ref. Part No:	Part No:	Description:	Ref. Part No:	Part No:	Description:
---------------	----------	--------------	---------------	----------	--------------

Image 1:

11	0273G00001P	INSULATED ASSY, BASEPAN
21	0121G00044PRF	BASEPAN RAIL (QTY 2)
31	0270G00075	INSULATED ASSY, PARTITION PANEL 27.5" (M1, M2, M3)
31	0270G00076	INSULATED ASSY, PARTITION PANEL 32.5" (M4)
31	0270G00077	INSULATED ASSY, PARTITION PANEL 36" (M5)
41	0270G00004PS	DRAIN PAN ASSY
51	0162M00111S	FLOWRATOR .057 (M1)
51	0162M00017PS	FLOWRATOR .062 (M2)
51	0162M00053	FLOWRATOR .068 (M3)
51	0162M00109S	FLOWRATOR .072 (M4)
51	0162M00147	FLOWRATOR .078 (M5)
91	0201G00182	TUBING ASSY, COND COIL (M1)
91	0201G00183	TUBING ASSY, COND COIL (M2, M3)
91	0201G00187	TUBING ASSY, COND COIL (M4)
91	0201G00190	TUBING ASSY, COND COIL (M5)
101	0202G00300	TUBING ASSY, EVAP COIL (M1)
101	0202G00306	TUBING ASSY, EVAP COIL (M4)
101	0202G00332	TUBING ASSY, EVAP COIL (M5)
101	0202G00333	TUBING ASSY, EVAP COIL (M2)
101	0202G00336	TUBING ASSY, EVAP COIL (M3)
111	0121G00368	CONDENSER COIL BLOCKOFF (M1, M2, M3)
111	0121G00372	CONDENSER COIL BLOCKOFF (M4, M5)
121	B1219212	SINGLE-FLOW FILTER DRIER, STEEL (M1, M2, M3)
121	B1219225	SINGLE-FLOW FILTER DRIER, STEEL (M4, M5)
141	0121G00365	PARTITION EXTENSION PANEL (M5)
191	0121G00045P	POST 27.5" (M1, M2, M3)
191	0121G00079P	POST 32.5" (M4)
191	0121G00083P	POST 36" (M5)
NS	0121G00043P	EVAP DRIP SHIELD

Image 2:

32	0161G00001P	ACCESS FITTING BOX
42	B1373315	ACCESS FITTING (QTY 2)
52	0163G00000P	FASTEST FITTING NUT (QTY 2)
62	B9102097	CAP W/O-RING (QTY 2)
72	0210G00031P	PROCESS TUBE ASSY-SUCTION
82	0210G00030P	PROCESS TUBE ASSY-LIQUID

Expanded Model Nomenclature

M1 - GPC1424H41AB
M2 - GPC1430H41AB
M3 - GPC1436H41AB
M4 - GPC1442H41AB
M5 - GPC1448H41AB

Compressor and Top Panel Assembly

Image 1

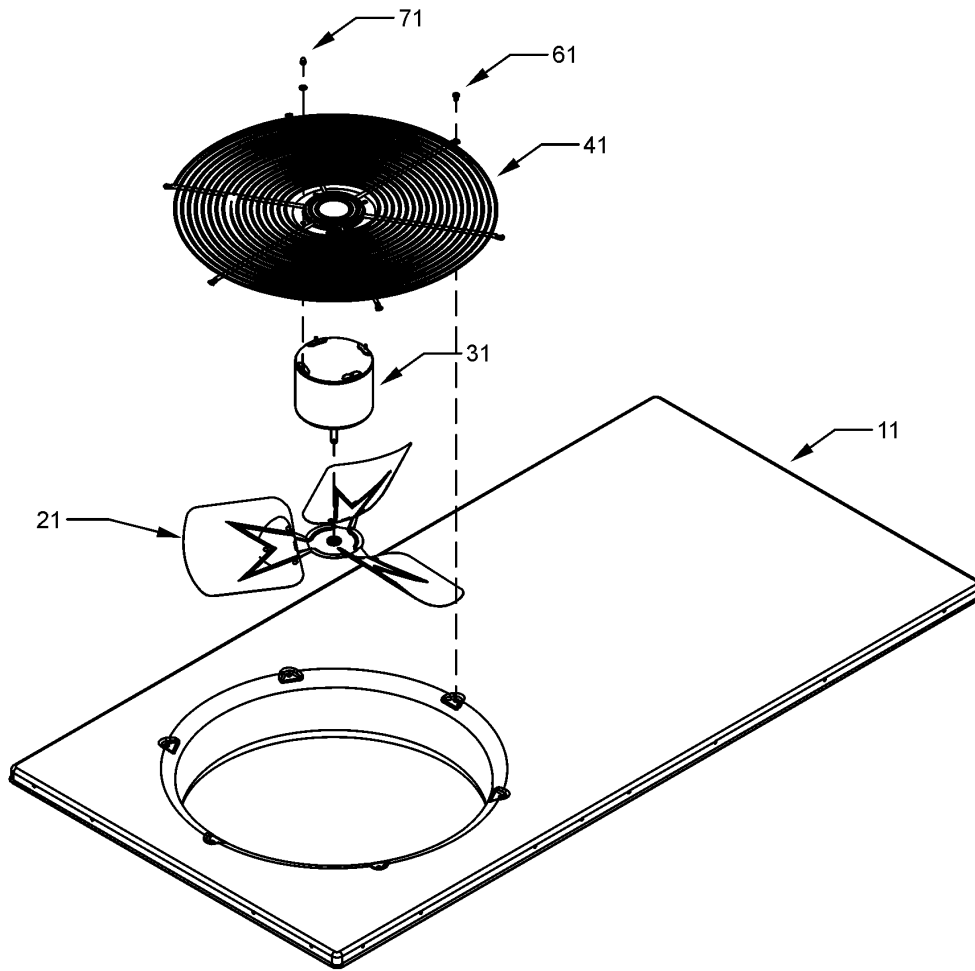
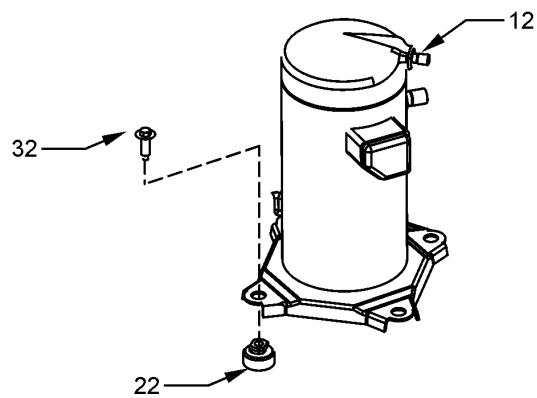


Image 2



Compressor and Top Panel Assembly

Ref. Part No:	Part No:	Description:	Ref. Part No:	Part No:	Description:
---------------	----------	--------------	---------------	----------	--------------

Image 1:

11	0274G00037	INSULATED ASSY, TOP PANEL
21	0150G00004	FAN BLADE (M4, M5)
21	0150G00005	FAN BLADE (M1, M2)
21	B1086765	FAN BLADE, TYPE 3 (M3)
31	0131M00007PS	COND MOTOR 1/4 HP, 1 SP, 6 PL (M4, M5)
31	0131M00061S	COND MOTOR 1/4 HP, 1 SP, 8 PL (M3)
31	0131M00009P	COND MOTOR, 1/6 HP, 1 SP, 8 PL (M1, M2)
41	0152G00002S	FAN GRILLE
61	M0221817	SMALL SCREW (QTY 6)
71	0163M00006P	ACORN NUT 5/16 HEX BLACK (QTY 4)
NS	17788000083F	PVC CONDUIT 8.25"

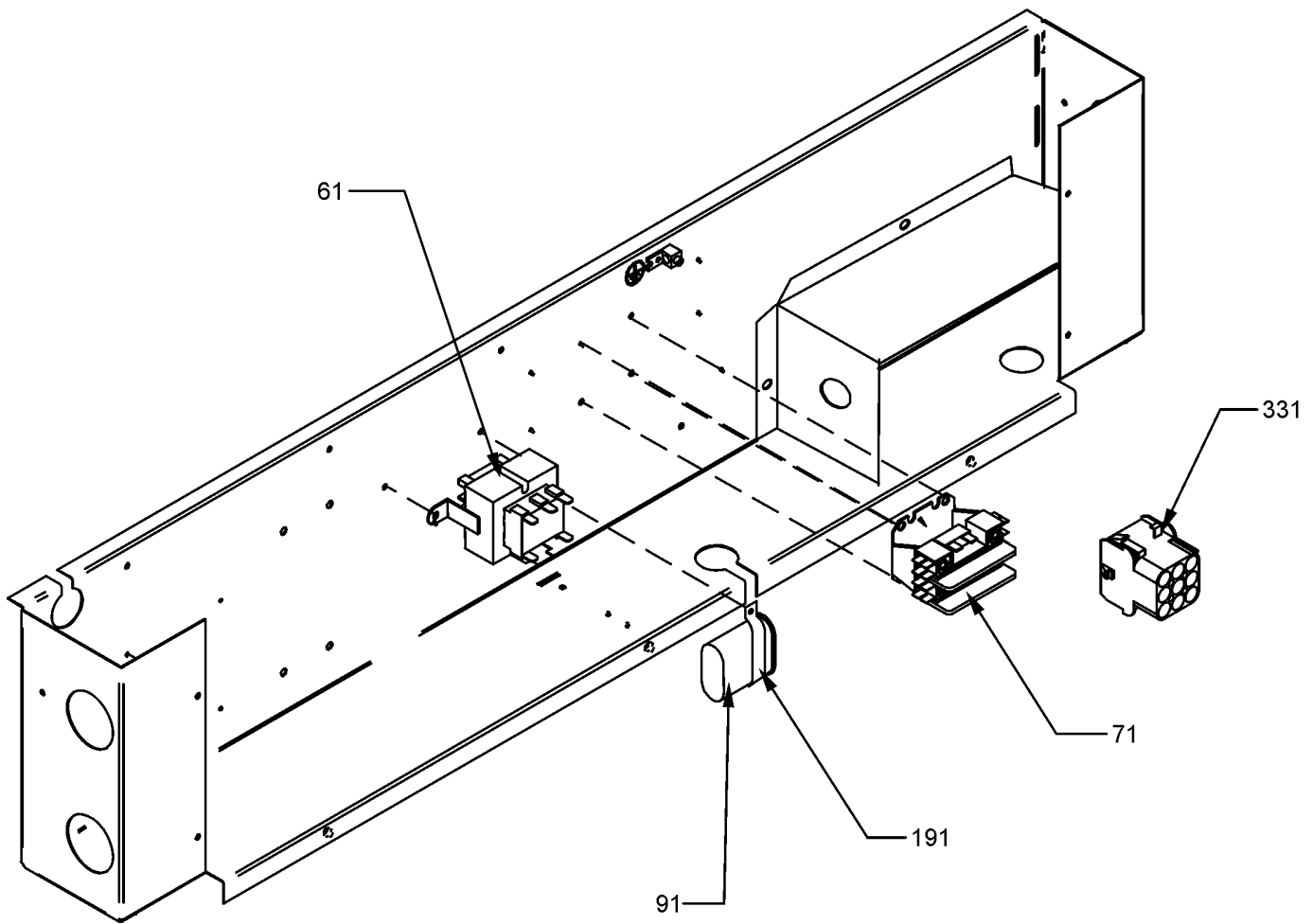
Image 2:

12	ZP20K5EPFV130	COMPRESSOR 20000, 208/230/60/1 (M1)
12	ZP24K5EPFV130	COMPRESSOR 24000, 208/230/60/1 (M2)
12	ZP31K5EPFV830	COMPRESSOR 31100, 208/230/60/1 (M3)
12	ZP34K5EPFV130	COMPRESSOR 34500, 208/230/60/1 (M4)
12	ZP39K5EPFV830	COMPRESSOR 39000, 208/230/60/1 (M5)
22	B1339530	COMPRESSOR GROMMET (M1, M2)
22	B1339533	COMPRESSOR GROMMET (M3, M4, M5)
32	M0221641	TF SHOULDER SCREW (QTY 4)
NS	0159G00004	COMPRESSOR SCROLL HARNESS

Expanded Model Nomenclature

M1 - GPC1424H41AB
M2 - GPC1430H41AB
M3 - GPC1436H41AB
M4 - GPC1442H41AB
M5 - GPC1448H41AB

Control Box Assembly



Control Box Assembly

Ref. Part No:	No:	Description:	Ref. Part No:	No:	Description:
---------------	-----	--------------	---------------	-----	--------------

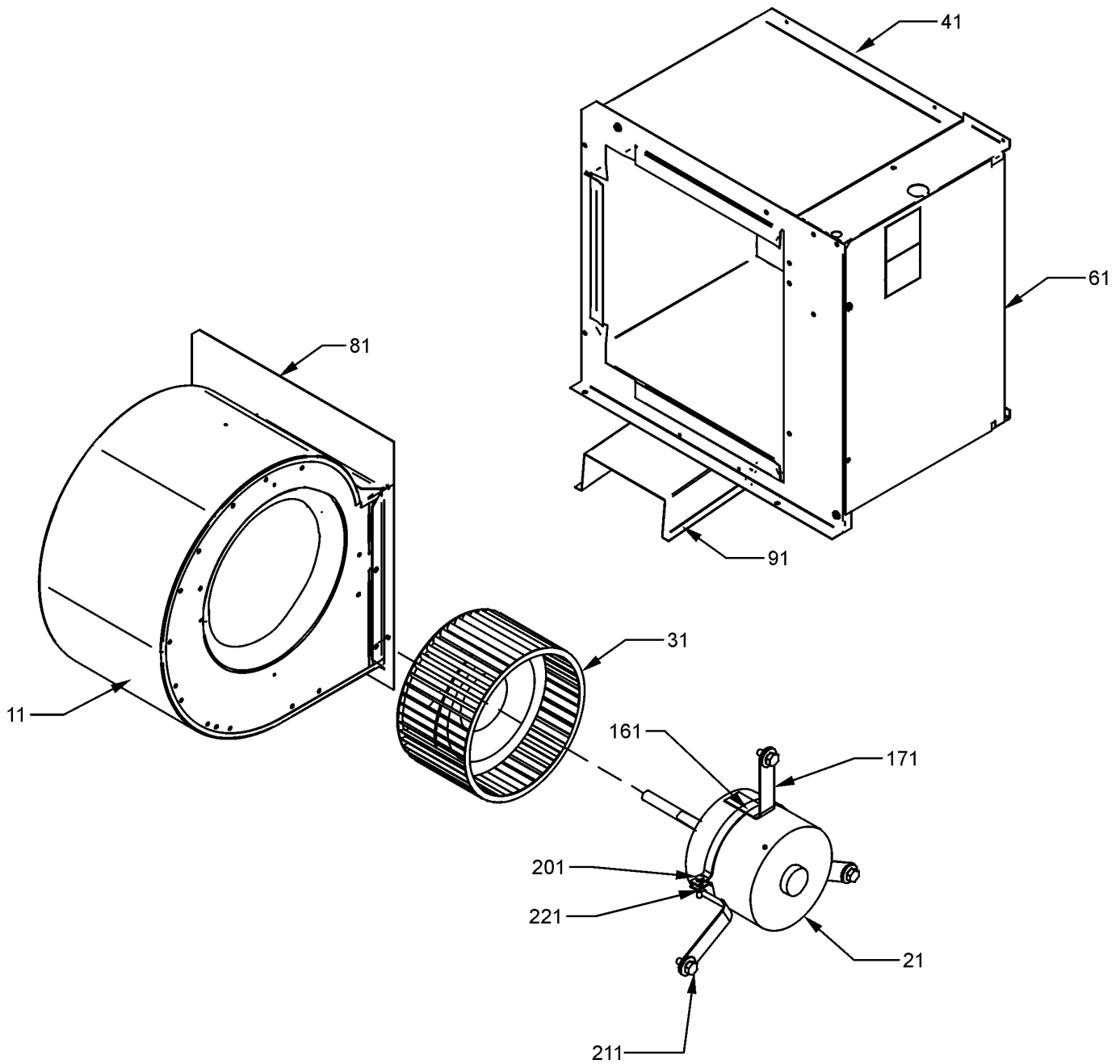
Image 1:

61	B1141643	TRANSFORMER 208/230, 24V
71	CONT1P025024VS	CONTACTOR 25 AMP, 1P, 24V (M1, M2, M3)
71	CONT1P030024VS	CONTACTOR 30 AMP, 1P, 24V (M4, M5)
91	CAP050350440RSS	CAPACITOR 5/35/440V (M1)
91	CAP050400440RT	CAPACITOR 5/40/440V (M2)
91	CAP050450440RT	CAPACITOR 5/45/440V (M3, M4, M5)
191	20520901	CAPACITOR STRAP
331	0259G00021	WIRE HARNESS, ELECTRIC HEAT

Expanded Model Nomenclature

- M1 - GPC1424H41AB
- M2 - GPC1430H41AB
- M3 - GPC1436H41AB
- M4 - GPC1442H41AB
- M5 - GPC1448H41AB

Blower Assembly



Blower Assembly

Ref. Part No:	No:	Description:	Ref. Part No:	No:	Description:
<i>Image 1:</i>					
11	10324248	BLOWER HOUSING 10 X 8			
21	0131M00207	BLOWER MOTOR 1/2 HP PROGRAMMED (M1)			
21	0131M00208	BLOWER MOTOR 1/2 HP PROGRAMMED (M2)			
21	0131M00209	BLOWER MOTOR 1/2 HP PROGRAMMED (M3)			
21	0131M00210	BLOWER MOTOR 1/2 HP PROGRAMMED (M4)			
21	0131M00206	BLOWER MOTOR 3/4 HP PROGRAMMED (M5)			
31	B1368016S	BLOWER WHEEL 10 X 8			
41	0270G00025P	TRANSITION DUCT ASSY-ALL			
61	0121G00039PS	HEATER KIT COVER			
81	0121G00035P	BLOWER MOUNT 10 X 8			
91	0121G00040P	BLOWER SUPPORT			
161	0121M00038	MOTOR MOUNT BAND			
171	B1376853	MOTOR MOUNT ARM (QTY 3)			
201	B1393323	MACHINE SCREW HWH 1/4-20 X 1-1/2 BZ			
211	M0250565	TC SCREW 1.25" (QTY 3)			
221	B1393800	LOCKNUT, NYLON, INSERT 1/4, 20			
NS	C6121810	BLOWER CUT-OFF			

Expanded Model Nomenclature

- M1 - GPC1424H41AB
- M2 - GPC1430H41AB
- M3 - GPC1436H41AB
- M4 - GPC1442H41AB
- M5 - GPC1448H41AB

THIS PAGE INTENTIONALLY LEFT BLANK

Free Manuals Download Website

<http://myh66.com>

<http://usermanuals.us>

<http://www.somanuals.com>

<http://www.4manuals.cc>

<http://www.manual-lib.com>

<http://www.404manual.com>

<http://www.luxmanual.com>

<http://aubethermostatmanual.com>

Golf course search by state

<http://golfingnear.com>

Email search by domain

<http://emailbydomain.com>

Auto manuals search

<http://auto.somanuals.com>

TV manuals search

<http://tv.somanuals.com>