



Air Conditioning & Heating

GSX13

SPLIT SYSTEM AIR CONDITIONER

COOLING CAPACITY:
18,000 - 60,000 BTU/H

13 SEER / 1½ TO 5 TONS

Standard Features

- R-410A chlorine-free refrigerant
- Energy-efficient compressor
- Factory-installed filter drier
- Copper tube/aluminum fin coil
- Service valves with sweat connections and easy-access gauge ports
- Contactor with lug connection
- Ground lug connection
- AHRI Certified
- ETL Listed

Cabinet Features

- Goodman® brand louvered sound control top design
- Steel louver coil guard
- Heavy-gauge galvanized-steel cabinet
- Attractive Architectural Gray powder-paint finish with 500-hour salt-spray approval
- Top and side maintenance access
- Single-panel access to controls with space provided for field-installed accessories
- When properly anchored, meets the 2001 Florida Building Code unit integrity requirements for hurricane-type winds (Anchor bracket kits available.)



Contents

Nomenclature	2
Product Specifications	3
Expanded Cooling Data	4
AHRI Ratings.....	22
Dimensions	34
Wiring Diagrams	35
Accessories	39



* Complete warranty details available from your local dealer or at www.goodmanmfg.com. To receive the 10-Year Parts Limited Warranty, online registration must be completed within 60 days of installation. Online registration is not required in California or Quebec.



NOMENCLATURE

	G	S	X	13	036	1	*	*	
	1	2	3	4,5	6,7,8	9	10	11	
Brand	G Goodman® Brand or Amana® Distinctions® Brand						Engineering * Minor Revision		
Product Category	S Split System						Engineering * Major Revision		
Unit Type	C Condenser R-22 X Condenser R-410A H Heat Pump R-22 Z Heat Pump R-410A						Electrical		
Efficiency	13 13 SEER 14 14 SEER						Nominal Capacity		
							1 208-230 V, 1 Phase, 60 Hz		
							2 220/240 V, 1 Phase, 50 Hz		
							3 208-230 V, 3 Phase, 60 Hz		
							4 460 V, 3 Phase, 60 Hz		
							5 380-415 V, 3 Phase, 50 Hz		
							018 1½ Tons	048 4 Tons	
							024 2 Tons	060 5 Tons	
							030 2½ Tons	090 7½ tons	
							036 3 Tons	120 10 Tons	
							042 3½ Tons		

* Neither used for order entry or inventory management.



SPECIFICATIONS

	GSX13 0181E*	GSX13 0241D*	GSX13 0301B*	GSX13 0361C*	GSX13 0361E*	GSX13 0421B*	GSX13 0481B*	GSX13 0601B*	GSX13 0611A*
CAPACITIES									
Nominal Cooling (BTU/h)	18,000	24,000	30,000	36,000	36,000	42,000	48,000	60,000	60,000
SEER / EER	13 / 11	13 / 11	13 / 11	13 / 11	13 / 11	13 / 11	13 / 11	13 / 11	13/11
Decibels	75	75	73	74	74	75	76	77	72
COMPRESSOR									
RLA	6.7	13.5	12.8	14.1	14.1	17.9	19.9	25.0	26.4
LRA	41	58.3	64	77	77	112	109	134	134
CONDENSER FAN MOTOR									
Horsepower	1/8	1/8	1/8	1/6	1/4	1/4	1/4	1/4	1/4
FLA	0.7	0.7	0.7	1.1	1.5	1.5	1.5	1.5	1.5
REFRIGERATION SYSTEM									
Refrigerant Line Size ¹									
Liquid Line Size ("O.D.)	3/8"	3/8"	3/8"	3/8"	3/8"	3/8"	3/8"	3/8"	3/8"
Suction Line Size ("O.D.)	3/4"	3/4"	3/4"	7/8"	7/8"	1 1/8"	1 1/8"	1 1/8"	7/8"
Refrigerant Connection Size									
Liquid Valve Size ("O.D.)	3/8"	3/8"	3/8"	3/8"	3/8"	3/8"	3/8"	3/8"	3/8"
Suction Valve Size ("O.D.) ^{4 5}	3/4"	3/4"	3/4"	3/4" ⁴	3/4" ⁴	7/8" ⁵	7/8" ⁵	7/8" ⁵	3/4"
Valve Type	Sweat	Sweat	Sweat	Sweat	Sweat	Sweat	Sweat	Sweat	Sweat
Refrigerant Charge	73	76	78	89	75	90	104	111	130
Shipped with Orifice Size	0.051	0.057	0.061	0.070	0.070	0.076	0.080	0.086	0.086
ELECTRICAL DATA									
Voltage	208/230	208/230	208/230	208/230	208/230	208/230	208/230	208/230	208/230
Minimum Circuit Ampacity ²	9.1	17.6	16.7	18.7	19.1	23.9	26.3	32.8	34.5
Max. Overcurrent Protection ³	15 amps	30 amps	25 amps	30 amps	30 amps	40 amps	45 amps	50 amps	60 amps
Min / Max Volts	197/253	197/253	197/253	197/253	197/253	197/253	197/253	197/253	197/253
Electrical Conduit Size	1/2" or 3/4"	1/2" or 3/4"	1/2" or 3/4"	1/2" or 3/4"	1/2" or 3/4"	1/2" or 3/4"	1/2" or 3/4"	1/2" or 3/4"	1/2" or 3/4"
EQUIPMENT WEIGHT (LBS)									
	106	113	142	139	139	188	191	207	284
SHIP WEIGHT (LBS)									
	120	130	159	157	157	206	209	225	301

¹ Line sizes denoted for 25' line sets, tested and rated in accordance with AHRI Standard 210/240. For other line-set lengths or sizes, refer to the installation & Operating instructions and/or the long line-set guidelines.

² Wire size should be determined in accordance with National Electrical Codes; extensive wire runs will require larger wire sizes

³ Must use time-delay fuses or HACR-type circuit breakers of the same size as noted.

⁴ Installer will need to supply 3/4" to 7/8" adapters for suction line connections.

⁵ Installer will need to supply 7/8" to 1 1/8" adapters for suction line connections.

NOTES

- Always check the S&R plate for electrical data on the unit being installed.
- Unit is charged with refrigerant for 15' of 3/8" liquid line. System charge must be adjusted per Installation Instructions Final Charge Procedure.

EXPANDED COOLING DATA — GSX130181E* / CAPF1824B6DB

IDB		OUTDOOR AMBIENT TEMPERATURE																											
		65°F				75°F				85°F				95°F				105°F				115°F							
		59	63	67	71	59	63	67	71	59	63	67	71	59	63	67	71	59	63	67	71	59	63	67	71				
		ENTERING INDOOR WET BULB TEMPERATURE																											
70	AIRFLOW	59	63	67	71	59	63	67	71	59	63	67	71	59	63	67	71	59	63	67	71	59	63	67	71	59	63	67	71
	MBh	15.6	16.2	17.7	-	15.3	15.8	17.3	-	14.9	15.4	16.9	-	14.5	15.1	16.5	-	13.8	14.3	15.7	-	13.8	14.3	15.7	-	12.8	13.3	14.5	-
	S/T	0.70	0.59	0.41	-	0.73	0.61	0.42	-	0.75	0.62	0.43	-	0.77	0.64	0.45	-	0.80	0.67	0.46	-	0.80	0.67	0.46	-	0.81	0.67	0.47	-
	Δ T	19.3	16.7	12.7	-	19.5	16.9	12.8	-	19.5	16.9	12.8	-	19.6	17.0	12.9	-	19.4	16.8	12.7	-	19.4	16.8	12.7	-	18.1	15.7	11.9	-
	kW	1.02	1.04	1.08	-	1.11	1.13	1.17	-	1.18	1.21	1.25	-	1.25	1.28	1.32	-	1.30	1.33	1.38	-	1.30	1.33	1.38	-	1.35	1.38	1.43	-
	Amps	4.3	4.4	4.5	-	4.6	4.7	4.9	-	5.0	5.1	5.3	-	5.4	5.5	5.7	-	5.7	5.8	6.0	-	5.7	5.8	6.0	-	6.0	6.2	6.4	-
	Hi PR	203	219	231	-	228	245	259	-	259	279	294	-	295	318	335	-	332	357	377	-	332	357	377	-	367	395	417	-
	Lo PR	102	109	119	-	108	115	126	-	113	120	131	-	118	126	137	-	124	132	144	-	124	132	144	-	128	136	149	-
70	MBh	16.4	17.0	18.7	-	16.0	16.6	18.2	-	15.7	16.2	17.8	-	15.3	15.8	17.4	-	14.5	15.0	16.5	-	14.5	15.0	16.5	-	13.4	13.9	15.3	-
	S/T	0.71	0.60	0.41	-	0.74	0.62	0.43	-	0.76	0.63	0.44	-	0.78	0.65	0.45	-	0.81	0.68	0.47	-	0.81	0.68	0.47	-	0.82	0.69	0.47	-
	Δ T	18.0	15.6	11.8	-	18.2	15.8	12.0	-	18.2	15.8	12.0	-	18.4	15.9	12.1	-	18.1	15.7	11.9	-	18.1	15.7	11.9	-	16.9	14.6	11.1	-
	kW	1.03	1.06	1.09	-	1.12	1.14	1.18	-	1.19	1.22	1.27	-	1.26	1.29	1.34	-	1.32	1.35	1.40	-	1.32	1.35	1.40	-	1.37	1.40	1.45	-
	Amps	4.3	4.4	4.6	-	4.7	4.8	4.9	-	5.1	5.2	5.4	-	5.4	5.6	5.7	-	5.8	5.9	6.1	-	5.8	5.9	6.1	-	6.1	6.3	6.5	-
	Hi PR	206	221	234	-	231	248	262	-	263	283	298	-	299	322	340	-	336	362	382	-	336	362	382	-	372	400	422	-
	Lo PR	104	110	121	-	110	117	127	-	114	121	132	-	120	127	139	-	126	134	146	-	126	134	146	-	130	138	151	-
75	MBh	15.9	16.4	17.7	19.0	15.5	16.0	17.3	18.6	15.2	15.6	16.9	18.1	14.8	15.2	16.5	17.7	14.0	14.5	15.7	16.8	13.0	13.4	14.5	15.6				
	S/T	0.80	0.72	0.54	0.35	0.83	0.74	0.56	0.36	0.85	0.76	0.58	0.37	0.88	0.78	0.59	0.38	0.91	0.81	0.62	0.40	0.92	0.82	0.62	0.40				
	Δ T	22.3	20.5	16.8	11.6	22.5	20.7	17.0	11.7	22.6	20.8	17.0	11.7	22.7	20.9	17.1	11.8	22.4	20.6	16.9	11.7	20.9	19.3	15.8	10.9				
	kW	1.03	1.05	1.09	1.13	1.12	1.14	1.18	1.22	1.19	1.22	1.26	1.31	1.26	1.29	1.33	1.38	1.32	1.35	1.39	1.44	1.36	1.40	1.45	1.50				
	Amps	4.3	4.4	4.6	4.7	4.7	4.8	4.9	5.1	5.1	5.2	5.4	5.6	5.4	5.5	5.7	5.9	5.8	5.9	6.1	6.3	6.1	6.3	6.5	6.7				
	Hi PR	205	221	233	243	230	248	262	273	262	282	297	310	298	321	339	353	335	361	381	398	371	399	421	439				
	Lo PR	104	110	120	128	109	116	127	135	114	121	132	141	119	127	139	148	125	133	145	155	129	138	150	160				
75	MBh	16.7	17.2	18.6	20.0	16.3	16.8	18.2	19.5	15.9	16.4	17.8	19.1	15.5	16.0	17.3	18.6	14.8	15.2	16.5	17.7	13.7	14.1	15.2	16.4				
	S/T	0.81	0.73	0.55	0.35	0.84	0.75	0.57	0.37	0.86	0.77	0.58	0.38	0.89	0.80	0.60	0.39	0.92	0.83	0.63	0.40	0.93	0.83	0.63	0.41				
	Δ T	20.8	19.1	15.7	10.8	21.0	19.4	15.9	11.0	21.1	19.4	15.9	11.0	21.2	19.5	16.0	11.1	20.9	19.3	15.8	10.9	19.5	18.0	14.7	10.2				
	kW	1.04	1.07	1.10	1.14	1.13	1.16	1.20	1.24	1.21	1.23	1.28	1.32	1.27	1.30	1.35	1.40	1.33	1.36	1.41	1.46	1.38	1.41	1.46	1.52				
	Amps	4.4	4.5	4.6	4.8	4.7	4.8	5.0	5.2	5.1	5.2	5.4	5.6	5.5	5.6	5.8	6.0	5.8	6.0	6.2	6.4	6.2	6.3	6.5	6.8				
	Hi PR	208	224	236	246	233	251	265	276	265	285	301	314	302	325	343	358	340	366	386	403	376	404	427	445				
	Lo PR	105	112	122	130	111	118	129	137	115	123	134	142	121	129	141	150	127	135	147	157	131	140	152	162				
75	MBh	17.2	17.7	19.2	20.6	16.8	17.3	18.7	20.1	16.4	16.9	18.3	19.6	16.0	16.5	17.9	19.2	15.2	15.7	17.0	18.2	14.1	14.5	15.7	16.9				
	S/T	0.83	0.74	0.56	0.36	0.86	0.77	0.58	0.37	0.88	0.79	0.60	0.38	0.91	0.81	0.62	0.40	0.94	0.84	0.64	0.41	0.95	0.85	0.64	0.41				
	Δ T	20.2	18.6	15.2	10.5	20.4	18.8	15.4	10.7	20.5	18.8	15.4	10.7	20.6	19.0	15.5	10.7	20.3	18.7	15.3	10.6	19.0	17.5	14.3	9.9				
	kW	1.06	1.08	1.12	1.16	1.15	1.17	1.21	1.26	1.22	1.25	1.30	1.34	1.29	1.32	1.37	1.42	1.35	1.38	1.43	1.48	1.40	1.44	1.49	1.54				
	Amps	4.4	4.5	4.7	4.9	4.8	4.9	5.1	5.3	5.2	5.3	5.5	5.7	5.6	5.7	5.9	6.1	5.9	6.1	6.3	6.5	6.3	6.4	6.6	6.9				
	Hi PR	211	228	240	251	237	255	270	281	270	290	307	320	307	331	349	364	346	372	393	410	382	411	434	453				
	Lo PR	107	114	124	132	113	120	131	139	117	125	136	145	123	131	143	152	129	137	150	160	133	142	155	165				

Amperage = outdoor unit amps (comp.+fan) kW = Total system power

Shaded area reflects ACCA (TVA) conditions

IDB: Entering Indoor Dry Bulb Temperature

High and low pressures are measured at the liquid and suction service valves.

EXPANDED COOLING DATA — GSX130241D* / CA*F1824*6D* (CONT.)

Table with 4 main sections: 700, 80, 900, and 85. Each section contains sub-sections for 700, 800, and 900, each with a grid of data points for different temperatures (65°F, 75°F, 85°F, 95°F, 105°F, 115°F) across various metrics like Airflow, S/T, ΔT, kW, Amps, Hi-PR, and Lo-PR.

EXPANDED COOLING DATA — GSX130301B* / CA*F3030*6D*

		OUTDOOR AMBIENT TEMPERATURE												ENTERING INDOOR WET BULB TEMPERATURE													
		65°F				75°F				85°F				95°F				105°F				115°F					
IDB	AIRFLOW	59	63	67	71	59	63	67	71	59	63	67	71	59	63	67	71	59	63	67	71	59	63	67	71		
70	945	MBh	26.2	27.2	29.8	-	25.6	26.6	29.1	-	25.0	25.9	28.4	-	24.4	25.3	27.7	-	23.2	24.0	26.3	-	21.5	22.3	24.4	-	
		S/T	0.71	0.59	0.41	-	0.74	0.62	0.43	-	0.76	0.63	0.44	-	0.78	0.65	0.45	-	0.81	0.68	0.47	-	0.82	0.68	0.47	-	
		ΔT	18	16	12	-	18	16	12	-	18	16	12	-	19	16	12	-	18	16	12	-	17	15	11	-	
		kW	2.01	2.05	2.11	-	2.15	2.20	2.26	-	2.28	2.33	2.40	-	2.39	2.44	2.51	-	2.48	2.54	2.62	-	2.57	2.62	2.70	-	
		Amps	6.9	7.1	7.3	-	7.5	7.7	8.0	-	8.2	8.4	8.7	-	8.7	9.0	9.3	-	9.3	9.5	9.9	-	9.9	10.1	10.5	-	
	Hi PR	244	262	277	-	274	294	311	-	311	335	354	-	354	381	403	-	399	429	453	-	440	474	501	-		
	Lo PR	104	110	120	-	109	116	127	-	114	121	132	-	119	127	139	-	125	133	145	-	129	138	150	-		
	MBh	26.6	27.6	30.3	-	26.0	27.0	29.5	-	25.4	26.3	28.8	-	24.8	25.7	28.1	-	23.5	24.4	26.7	-	21.8	22.6	24.8	-		
	S/T	0.74	0.62	0.43	-	0.76	0.64	0.44	-	0.78	0.65	0.45	-	0.81	0.68	0.47	-	0.84	0.70	0.49	-	0.85	0.71	0.49	-		
	ΔT	17	15	11	-	17	15	11	-	17	15	11	-	18	15	12	-	17	15	11	-	16	14	11	-		
kW	2.04	2.08	2.14	-	2.18	2.23	2.29	-	2.31	2.36	2.43	-	2.42	2.47	2.55	-	2.52	2.57	2.65	-	2.60	2.66	2.74	-			
Amps	7.0	7.2	7.5	-	7.6	7.8	8.1	-	8.3	8.5	8.8	-	8.9	9.1	9.4	-	9.5	9.7	10.0	-	10.0	10.3	10.6	-			
Hi PR	248	267	282	-	278	299	316	-	317	341	360	-	360	388	410	-	406	436	461	-	448	482	509	-			
Lo PR	105	112	122	-	111	118	129	-	116	123	134	-	122	129	141	-	127	135	148	-	132	140	153	-			
MBh	27.0	28.0	30.7	-	26.4	27.4	30.0	-	25.8	26.7	29.3	-	25.2	26.1	28.6	-	23.9	24.8	27.1	-	22.1	22.9	25.1	-			
S/T	0.77	0.64	0.45	-	0.80	0.67	0.46	-	0.82	0.68	0.47	-	0.85	0.71	0.49	-	0.88	0.73	0.51	-	0.88	0.74	0.51	-			
ΔT	17	14	11	-	17	15	11	-	17	15	11	-	17	15	11	-	17	14	11	-	16	13	10	-			
kW	2.05	2.09	2.15	-	2.19	2.24	2.30	-	2.32	2.37	2.44	-	2.44	2.49	2.56	-	2.53	2.59	2.67	-	2.62	2.67	2.76	-			
Amps	7.1	7.3	7.5	-	7.7	7.9	8.1	-	8.4	8.6	8.9	-	8.9	9.2	9.5	-	9.5	9.8	10.1	-	10.1	10.4	10.7	-			
Hi PR	250	269	284	-	280	302	318	-	319	343	362	-	363	391	413	-	408	439	464	-	451	486	513	-			
Lo PR	106	113	123	-	112	119	130	-	116	124	135	-	122	130	142	-	128	136	149	-	133	141	154	-			
75	945	MBh	26.7	27.5	29.7	31.9	26.1	26.8	29.0	31.2	25.4	26.2	28.4	30.4	24.8	25.6	27.7	29.7	23.6	24.3	26.3	28.2	21.8	22.5	24.3	26.1	
		S/T	0.81	0.72	0.55	0.35	0.84	0.75	0.57	0.36	0.86	0.77	0.58	0.37	0.89	0.79	0.60	0.39	0.92	0.82	0.62	0.40	0.93	0.83	0.63	0.40	
		ΔT	21	19	16	11	21	20	16	11	21	20	16	11	21	20	16	11	21	20	18	15	11	20	18	15	10
		kW	2.03	2.07	2.13	2.19	2.17	2.21	2.28	2.35	2.30	2.34	2.42	2.49	2.41	2.46	2.53	2.61	2.50	2.56	2.64	2.72	2.59	2.64	2.72	2.81	
		Amps	7.0	7.2	7.4	7.7	7.6	7.8	8.0	8.3	8.2	8.5	8.7	9.1	8.8	9.0	9.3	9.7	9.4	9.6	10.0	10.3	10.0	10.2	10.6	11.0	
	Hi PR	246	265	280	292	276	297	314	328	314	338	357	373	358	385	407	424	403	433	458	477	445	479	506	527		
	Lo PR	105	111	121	129	111	118	128	137	115	122	133	142	121	128	140	149	126	135	147	156	131	139	152	162		
	MBh	27.1	27.9	30.2	32.4	26.5	27.2	29.5	31.6	25.8	26.6	28.8	30.9	25.2	25.9	28.1	30.1	23.9	24.6	26.7	28.6	22.2	22.8	24.7	26.5		
	S/T	0.84	0.75	0.57	0.37	0.87	0.78	0.59	0.38	0.89	0.80	0.60	0.39	0.92	0.82	0.62	0.40	0.95	0.85	0.65	0.42	0.96	0.86	0.65	0.42		
	ΔT	20	18	15	10	20	19	15	10	20	19	15	10	20	19	15	11	20	18	15	10	19	17	14	10		
kW	2.05	2.09	2.15	2.22	2.20	2.24	2.31	2.38	2.33	2.38	2.45	2.52	2.44	2.49	2.57	2.65	2.54	2.59	2.67	2.76	2.62	2.68	2.76	2.85			
Amps	7.1	7.3	7.5	7.8	7.7	7.9	8.2	8.5	8.4	8.6	8.9	9.2	9.0	9.2	9.5	9.9	9.6	9.8	10.1	10.5	10.1	10.4	10.7	11.2			
Hi PR	251	270	285	297	281	303	319	333	320	344	363	379	364	392	414	432	410	441	466	486	453	487	514	536			
Lo PR	106	113	124	132	112	120	131	139	117	124	136	145	123	131	143	152	129	137	149	159	133	142	155	165			
MBh	27.5	28.3	30.6	32.9	26.9	27.7	29.9	32.1	26.2	27.0	29.2	31.4	25.6	26.3	28.5	30.6	24.3	25.0	27.1	29.1	22.5	23.2	25.1	26.9			
S/T	0.88	0.78	0.59	0.38	0.91	0.81	0.61	0.40	0.93	0.83	0.63	0.41	0.96	0.86	0.65	0.42	1.00	0.89	0.67	0.43	1.00	0.90	0.68	0.44			
ΔT	19	18	14	10	19	18	15	10	19	18	15	10	20	18	15	10	19	18	15	10	18	17	14	9			
kW	2.06	2.10	2.16	2.23	2.21	2.25	2.32	2.39	2.34	2.39	2.46	2.54	2.45	2.51	2.58	2.67	2.55	2.61	2.69	2.77	2.64	2.69	2.78	2.87			
Amps	7.2	7.3	7.6	7.9	7.8	7.9	8.2	8.5	8.4	8.6	8.9	9.3	9.0	9.2	9.6	9.9	9.6	9.9	10.2	10.6	10.2	10.5	10.8	11.2			
Hi PR	252	272	287	299	283	305	322	336	322	346	366	382	367	395	417	435	413	444	469	489	456	491	518	540			
Lo PR	107	114	124	133	113	120	131	140	118	125	137	146	124	131	144	153	130	138	150	160	134	143	156	166			

IDB: Entering Indoor Dry Bulb Temperature
 High and low pressures are measured at the liquid and suction service valves.
 Shaded area reflects ACCA (TVA) conditions
 Amps = outdoor unit amps (comp. + fan)
 kW = Total system power

EXPANDED COOLING DATA — GSX130301B* / CA*F3030*6D* (CONT.)

IDB	OUTDOOR AMBIENT TEMPERATURE										115°F																
	65°F					75°F					85°F					95°F					105°F						
	59	63	67	71	75	59	63	67	71	75	59	63	67	71	75	59	63	67	71	75	59	63	67	71	75		
	ENTERING INDOOR WET BULB TEMPERATURE																										
	AIRFLOW	Content for 945 model																									
945	MBh																										
	S/T																										
	Δ T																										
	kW																										
	Amps																										
80	Hi PR																										
	Lo PR																										
	1050	MBh																									
		S/T																									
		Δ T																									
kW																											
Amps																											
1155	Hi PR																										
	Lo PR																										
	945	MBh																									
		S/T																									
		Δ T																									
kW																											
Amps																											
85	Hi PR																										
	Lo PR																										

IDB: Entering Indoor Dry Bulb Temperature
 High and low pressures are measured at the liquid and suction service valves.
 Shaded area reflects AHRI conditions
 Amps = outdoor unit amps (comp.+fan)
 kW = Total system power

EXPANDED COOLING DATA — GSX130361E* / CA*F3636*6D*

IDB	AIRFLOW	OUTDOOR AMBIENT TEMPERATURE																								
		65				75				85				95				105				115				
		59	63	67	71	59	63	67	71	59	63	67	71	59	63	67	71	59	63	67	71	59	63	67	71	
70	1350	MIBh	32.9	34.1	37.4	-	32.2	33.3	36.5	-	31.4	32.5	35.7	-	30.6	31.7	34.8	-	29.1	30.2	33.0	-	27.0	27.9	30.6	-
		S/T	0.77	0.65	0.45	-	0.80	0.67	0.46	-	0.82	0.69	0.48	-	0.85	0.71	0.49	-	0.88	0.74	0.51	-	0.89	0.74	0.51	-
		Δ T	17	15	11	-	18	15	12	-	18	15	12	-	18	15	12	-	17	15	11	-	16	14	11	-
		/anos	2.44	2.49	2.55	-	2.61	2.65	2.73	-	2.75	2.80	2.88	-	2.88	2.94	3.02	-	2.99	3.05	3.14	-	3.08	3.14	3.24	-
	1200	MIBh	32.0	33.1	36.3	-	31.2	32.4	35.5	-	30.5	31.6	34.6	-	29.7	30.8	33.8	-	28.2	29.3	32.1	-	26.2	27.1	29.7	-
		S/T	0.74	0.62	0.43	-	0.76	0.64	0.44	-	0.78	0.65	0.45	-	0.81	0.68	0.47	-	0.84	0.70	0.49	-	0.85	0.71	0.49	-
		Δ T	18	16	12	-	18	16	12	-	18	16	12	-	18	16	12	-	18	16	12	-	17	15	11	-
		/anos	2.42	2.47	2.54	-	2.59	2.64	2.71	-	2.73	2.78	2.86	-	2.86	2.91	3.00	-	2.96	3.02	3.11	-	3.06	3.12	3.21	-
	1050	MIBh	29.5	30.6	33.5	-	28.8	29.9	32.7	-	28.1	29.2	31.9	-	27.4	28.4	31.2	-	26.1	27.0	29.6	-	24.2	25.0	27.4	-
		S/T	0.71	0.59	0.41	-	0.74	0.62	0.43	-	0.76	0.63	0.44	-	0.78	0.65	0.45	-	0.81	0.68	0.47	-	0.82	0.68	0.47	-
		Δ T	18	16	12	-	19	16	12	-	19	16	12	-	19	16	12	-	18	16	12	-	17	15	11	-
		/anos	2.37	2.42	2.48	-	2.53	2.58	2.65	-	2.67	2.72	2.80	-	2.79	2.85	2.93	-	2.90	2.96	3.04	-	2.99	3.05	3.14	-
75	1350	MIBh	33.5	34.5	37.3	40.0	32.7	33.7	36.4	39.1	31.9	32.9	35.6	38.2	31.1	32.1	34.7	37.3	29.6	30.5	33.0	35.4	27.4	28.2	30.5	32.8
		S/T	0.88	0.79	0.60	0.38	0.91	0.81	0.62	0.40	0.93	0.84	0.63	0.41	0.96	0.86	0.65	0.42	1.00	0.90	0.68	0.44	1.00	0.90	0.68	0.44
		Δ T	20	18	15	10	20	19	15	11	20	19	15	11	20	19	15	11	20	19	15	11	19	17	14	10
		/anos	2.46	2.50	2.57	2.65	2.62	2.67	2.75	2.83	2.77	2.82	2.91	2.99	2.90	2.96	3.04	3.14	3.01	3.07	3.16	3.26	3.10	3.17	3.26	3.36
	1200	MIBh	32.5	33.5	36.2	38.9	31.8	32.7	35.4	38.0	31.0	31.9	34.5	37.1	30.2	31.1	33.7	36.2	28.7	29.6	32.0	34.4	26.6	27.4	29.7	31.8
		S/T	0.84	0.75	0.57	0.37	0.87	0.78	0.59	0.38	0.89	0.80	0.60	0.39	0.92	0.82	0.62	0.40	0.95	0.85	0.65	0.42	0.96	0.86	0.65	0.42
		Δ T	21	19	16	11	21	19	16	11	21	19	16	11	21	20	16	11	21	19	16	11	20	18	15	10
		/anos	2.44	2.49	2.56	2.63	2.61	2.66	2.73	2.81	2.75	2.80	2.89	2.97	2.88	2.94	3.02	3.11	2.99	3.05	3.14	3.23	3.08	3.14	3.24	3.34
	1050	MIBh	30.0	30.9	33.4	35.9	29.3	30.2	32.7	35.1	28.6	29.5	31.9	34.2	27.9	28.7	31.1	33.4	26.5	27.3	29.6	31.7	24.6	25.3	27.4	29.4
		S/T	0.81	0.72	0.55	0.35	0.84	0.75	0.57	0.36	0.86	0.77	0.58	0.37	0.89	0.79	0.60	0.39	0.92	0.82	0.62	0.40	0.93	0.83	0.63	0.40
		Δ T	21	20	16	11	21	20	16	11	22	20	16	11	22	20	16	11	21	20	16	11	20	18	15	10
		/anos	2.39	2.43	2.50	2.57	2.55	2.60	2.67	2.75	2.69	2.74	2.82	2.90	2.81	2.87	2.95	3.04	2.92	2.98	3.07	3.16	3.01	3.07	3.16	3.26

IDB: Entering Indoor Dry Bulb Temperature
 High and low pressures are measured at the liquid and suction service valves.
 Shaded area reflects ACCA (TVA) conditions
 kW = Total system power
 Design Subcooling 9 ±3 °F @ the liquid service valve, ARI 95 test conditions
 Amps = outdoor unit amps (comp.+fan)

EXPANDED COOLING DATA — GSX130421B* / CA*F3642*6B*

IDB	AIRFLOW	OUTDOOR AMBIENT TEMPERATURE																									
		65°F				75°F				85°F				95°F				105°F				115°F					
		59	63	67	71	59	63	67	71	59	63	67	71	59	63	67	71	59	63	67	71	59	63	67	71		
70	1225	MBh	36.0	37.3	40.9	-	35.2	36.4	39.9	-	34.3	35.6	39.0	-	33.5	34.7	38.0	-	31.8	33.0	36.1	-	29.5	30.5	33.5	-	
		S/T	0.69	0.57	0.40	-	0.71	0.59	0.41	-	0.73	0.61	0.42	-	0.75	0.63	0.44	-	0.78	0.65	0.45	-	0.79	0.66	0.46	-	
		Δ T	19	16	12	-	19	16	12	-	19	16	12	-	19	16	12	-	19	16	12	-	17	15	11	-	
	1400	kW	2.78	2.84	2.92	-	2.98	3.04	3.13	-	3.15	3.21	3.31	-	3.30	3.37	3.47	-	3.43	3.50	3.61	-	3.54	3.61	3.73	-	
		Amps	10.7	10.9	11.2	-	11.5	11.8	12.1	-	12.5	12.7	13.2	-	13.3	13.6	14.0	-	14.1	14.5	14.9	-	14.9	15.3	15.8	-	
		Hi PR	209	225	238	-	235	253	267	-	267	288	304	-	304	328	346	-	343	369	389	-	378	407	430	-	
	1575	Lo PR	101	107	117	-	106	113	124	-	111	118	129	-	116	124	135	-	122	130	141	-	126	134	146	-	
		MBh	39.0	40.4	44.3	-	38.1	39.5	43.3	-	37.2	38.5	42.2	-	36.3	37.6	41.2	-	34.5	35.7	39.1	-	31.9	33.1	36.3	-	
		S/T	0.71	0.59	0.41	-	0.74	0.62	0.43	-	0.76	0.63	0.44	-	0.78	0.65	0.45	-	0.81	0.68	0.47	-	0.82	0.68	0.47	-	
	75	1225	Δ T	18	16	12	-	18	16	12	-	18	16	12	-	19	16	12	-	18	16	12	-	17	15	11	-
			kW	2.84	2.90	2.98	-	3.05	3.11	3.20	-	3.22	3.29	3.39	-	3.38	3.45	3.55	-	3.51	3.58	3.70	-	3.63	3.70	3.82	-
			Amps	10.9	11.2	11.6	-	11.8	12.1	12.5	-	12.8	13.1	13.5	-	13.7	14.0	14.4	-	14.5	14.9	15.3	-	15.4	15.7	16.2	-
1400		Hi PR	216	232	245	-	242	261	275	-	276	297	313	-	314	338	357	-	353	380	401	-	390	420	443	-	
		Lo PR	104	111	121	-	110	117	127	-	114	121	132	-	120	127	139	-	126	134	146	-	130	138	151	-	
		MBh	40.2	41.6	45.6	-	39.2	40.7	44.6	-	38.3	39.7	43.5	-	37.4	38.7	42.4	-	35.5	36.8	40.3	-	32.9	34.1	37.3	-	
1575		S/T	0.75	0.62	0.43	-	0.77	0.65	0.45	-	0.79	0.66	0.46	-	0.82	0.68	0.47	-	0.85	0.71	0.49	-	0.86	0.72	0.50	-	
		Δ T	18	15	11	-	18	15	12	-	18	15	12	-	18	15	12	-	18	15	12	-	16	14	11	-	
		kW	2.87	2.92	3.01	-	3.07	3.13	3.22	-	3.25	3.31	3.41	-	3.41	3.48	3.58	-	3.54	3.61	3.73	-	3.66	3.73	3.85	-	
75		1225	Amps	11.0	11.3	11.7	-	11.9	12.2	12.6	-	12.9	13.2	13.6	-	13.8	14.1	14.6	-	14.6	15.0	15.5	-	15.5	15.9	16.4	-
			Hi PR	218	235	248	-	245	263	278	-	278	300	316	-	317	341	360	-	357	384	405	-	394	424	448	-
			Lo PR	102	108	118	126	108	114	125	133	112	119	130	138	117	125	136	145	123	131	143	152	127	135	148	157
	1400	MBh	39.7	40.8	44.2	47.4	38.7	39.9	43.2	46.3	37.8	38.9	42.2	45.2	36.9	38.0	41.1	44.1	35.1	36.1	39.1	41.9	32.5	33.4	36.2	38.8	
		S/T	0.81	0.72	0.55	0.35	0.84	0.75	0.57	0.37	0.86	0.77	0.58	0.37	0.89	0.79	0.60	0.39	0.92	0.82	0.62	0.40	0.93	0.83	0.63	0.40	
		Δ T	21	19	16	11	21	20	16	11	21	20	16	11	22	20	16	11	21	20	16	11	20	18	15	10	
	1575	kW	2.87	2.92	3.01	3.10	3.07	3.13	3.22	3.32	3.25	3.31	3.41	3.52	3.41	3.48	3.58	3.70	3.54	3.61	3.73	3.84	3.66	3.73	3.85	3.97	
		Amps	11.0	11.3	11.7	12.1	11.9	12.2	12.6	13.0	12.9	13.2	13.6	14.1	13.8	14.1	14.6	15.1	14.6	15.0	15.5	16.1	15.5	15.9	16.4	17.0	
		Hi PR	218	235	248	259	245	263	278	290	278	300	316	330	317	341	360	376	357	384	405	423	394	424	448	467	
	1575	Lo PR	105	112	122	130	111	118	129	137	115	123	134	143	121	129	141	150	127	135	147	157	131	140	152	162	
		MBh	40.9	42.1	45.5	48.9	39.9	41.1	44.5	47.7	39.0	40.1	43.4	46.6	38.0	39.1	42.4	45.5	36.1	37.2	40.2	43.2	33.4	34.4	37.3	40.0	
		S/T	0.85	0.76	0.57	0.37	0.88	0.79	0.60	0.38	0.90	0.81	0.61	0.39	0.93	0.83	0.63	0.41	0.97	0.86	0.65	0.42	0.97	0.87	0.66	0.42	
1575	Δ T	20	19	15	11	20	19	15	11	21	19	15	11	21	19	16	11	21	19	15	11	19	18	14	10		
	kW	2.89	2.94	3.03	3.12	3.09	3.15	3.25	3.35	3.27	3.34	3.44	3.55	3.43	3.50	3.61	3.72	3.57	3.64	3.76	3.87	3.68	3.76	3.88	4.00		
	Amps	11.1	11.4	11.8	12.2	12.0	12.3	12.7	13.2	13.0	13.3	13.8	14.3	13.9	14.2	14.7	15.2	14.8	15.1	15.6	16.2	15.6	16.0	16.5	17.2		
1575	Hi PR	220	237	250	261	247	266	281	293	281	303	320	333	320	345	364	380	360	388	409	427	398	428	452	472		
	Lo PR	106	113	123	131	112	119	130	139	116	124	135	144	122	130	142	151	128	136	149	158	133	141	154	164		

Shaded area reflects ACCA (TVA) conditions
 IDB: Entering Indoor Dry Bulb Temperature
 High and low pressures are measured at the liquid and suction service valves.
 Amps = outdoor unit amps (comp.+fan)
 kW = Total system power

EXPANDED COOLING DATA — GSX130421B* / CA*F3642*6B* (CONT.)

IDB	AIRFLOW	OUTDOOR AMBIENT TEMPERATURE																									
		65°F				75°F				85°F				95°F				105°F				115°F					
		59	63	67	71	59	63	67	71	59	63	67	71	59	63	67	71	59	63	67	71	59	63	67	71		
80	1225	MBh	37.3	38.1	40.7	43.5	36.4	37.2	39.7	42.5	35.5	36.3	38.8	41.5	34.7	35.4	37.8	40.5	32.9	33.6	36.0	38.4	30.5	31.2	33.3	35.6	
		S/T	0.86	0.80	0.65	0.49	0.89	0.83	0.68	0.51	0.91	0.85	0.69	0.52	0.94	0.88	0.72	0.54	0.97	0.91	0.74	0.56	0.98	0.92	0.75	0.56	
		Δ T	24	23	20	16	24	23	20	16	24	23	20	16	24	23	20	16	24	23	20	16	22	22	19	15	
	1400	kW	2.82	2.88	2.96	3.05	3.02	3.08	3.17	3.27	3.20	3.26	3.36	3.46	3.35	3.42	3.53	3.64	3.48	3.56	3.67	3.78	3.60	3.67	3.79	3.91	
		Amps	10.8	11.1	11.4	11.9	11.7	12.0	12.4	12.8	13.2	12.7	13.0	13.4	13.9	13.5	13.8	14.3	14.8	14.4	14.7	15.2	15.8	15.2	15.6	16.1	16.7
		Hi PR	214	230	243	253	240	258	273	284	273	294	310	323	311	334	353	368	350	376	397	414	386	416	439	458	
	1575	Lo PR	103	109	119	127	109	116	126	134	113	120	131	140	119	126	138	147	124	132	144	154	129	137	149	159	
		MBh	40.4	41.3	44.1	47.1	39.4	40.3	43.1	46.0	38.5	39.3	42.0	44.9	37.6	38.4	41.0	43.8	35.7	36.5	39.0	41.6	33.0	33.8	36.1	38.6	
		S/T	0.89	0.83	0.68	0.51	0.92	0.86	0.70	0.52	0.94	0.88	0.72	0.54	0.97	0.91	0.74	0.56	1.00	0.95	0.77	0.58	1.00	0.96	0.78	0.58	
	85	1225	Δ T	24	23	20	16	24	23	20	16	24	23	20	16	24	23	20	16	24	23	20	16	22	21	18	15
			kW	2.89	2.94	3.03	3.12	3.09	3.15	3.25	3.35	3.27	3.34	3.44	3.55	3.43	3.50	3.61	3.72	3.57	3.64	3.76	3.88	3.68	3.76	3.88	4.01
			Amps	11.1	11.4	11.8	12.2	12.0	12.3	12.7	13.2	13.0	13.3	13.8	14.3	13.9	14.2	14.7	15.2	14.8	15.1	15.6	16.2	15.6	16.0	16.5	17.2
		1400	Hi PR	220	237	250	261	247	266	281	293	281	303	320	333	320	345	364	380	360	388	410	427	398	428	452	472
			Lo PR	106	113	123	131	112	119	130	139	116	124	135	144	122	130	142	151	128	136	149	158	133	141	154	164
			MBh	41.6	42.5	45.4	48.5	40.6	41.5	44.3	47.4	39.6	40.5	43.3	46.3	38.7	39.5	42.2	45.1	36.7	37.6	40.1	42.9	34.0	34.8	37.2	39.7
1575		S/T	0.93	0.87	0.71	0.53	0.96	0.90	0.74	0.55	1.00	0.93	0.75	0.56	1.00	0.96	0.78	0.58	1.00	1.00	0.81	0.60	1.00	1.00	0.82	0.61	
		Δ T	23	22	19	15	23	22	19	15	23	22	19	15	23	22	19	15	21	22	19	15	20	20	18	14	
		kW	2.91	2.96	3.05	3.14	3.11	3.18	3.27	3.37	3.30	3.36	3.47	3.58	3.46	3.53	3.64	3.75	3.60	3.67	3.79	3.91	3.71	3.79	3.91	4.04	
85		1225	Amps	11.2	11.5	11.9	12.3	12.1	12.4	12.8	13.3	13.1	13.5	13.9	14.4	14.0	14.4	14.8	15.4	14.9	15.3	15.8	16.4	15.8	16.2	16.7	17.3
			Hi PR	223	240	253	264	250	269	284	296	284	306	323	337	324	348	368	383	364	392	414	431	402	433	457	477
			Lo PR	104	110	121	128	110	117	127	136	114	121	132	141	120	127	139	148	126	134	146	155	130	138	151	161
1400		MBh	41.1	41.9	43.9	46.8	40.1	40.9	42.8	45.7	39.2	39.9	41.8	44.6	38.2	39.0	40.8	43.5	36.3	37.0	38.8	41.3	33.6	34.3	35.9	38.3	
		S/T	0.93	0.90	0.81	0.66	0.96	0.93	0.84	0.68	0.99	0.95	0.86	0.70	1.00	0.98	0.89	0.72	1.00	1.00	0.92	0.75	1.00	1.00	0.93	0.75	
		Δ T	25	25	23	20	25	25	24	20	25	25	24	20	25	25	24	21	24	24	23	20	22	23	22	19	
1575	kW	2.91	2.96	3.05	3.14	3.11	3.18	3.27	3.37	3.30	3.36	3.47	3.58	3.46	3.53	3.64	3.75	3.60	3.67	3.79	3.91	3.71	3.79	3.91	4.04		
	Amps	11.2	11.5	11.9	12.3	12.1	12.4	12.8	13.3	13.1	13.5	13.9	14.4	14.0	14.4	14.8	15.4	14.9	15.3	15.8	16.4	15.8	16.2	16.7	17.3		
	Hi PR	223	240	253	264	250	269	284	296	284	306	323	337	324	348	368	383	364	392	414	431	402	433	457	477		
85	1225	Lo PR	107	114	124	132	113	120	131	140	118	125	137	145	123	131	143	129	138	150	160	134	142	155	166		
		MBh	42.3	43.1	45.2	48.2	41.3	42.1	44.1	47.1	40.3	41.1	43.1	45.9	39.4	40.1	42.0	44.8	37.4	38.1	39.9	42.6	34.6	35.3	37.0	39.4	
		S/T	0.98	0.94	0.85	0.69	1.00	0.98	0.88	0.71	1.00	1.00	0.90	0.73	1.00	1.00	0.93	0.76	1.00	1.00	0.97	0.78	1.00	1.00	0.98	0.79	
1575	Δ T	24	24	22	19	24	24	23	20	24	24	23	20	23	23	23	20	22	22	22	20	20	21	21	18		
	kW	2.93	2.99	3.07	3.17	3.14	3.20	3.30	3.40	3.32	3.39	3.49	3.60	3.49	3.56	3.67	3.78	3.62	3.70	3.82	3.94	3.74	3.82	3.94	4.07		
	Amps	11.3	11.6	12.0	12.4	12.2	12.5	12.9	13.4	13.3	13.6	14.0	14.5	14.2	14.5	15.0	15.5	15.0	15.4	15.9	16.5	15.9	16.3	16.9	17.5		
85	1225	Hi PR	225	242	255	266	252	271	287	299	287	309	326	340	327	352	371	387	368	396	418	436	406	437	462	481	
		Lo PR	108	115	126	134	114	122	133	141	119	126	138	147	125	133	145	154	131	139	152	162	135	144	157	167	
		MBh	42.3	43.1	45.2	48.2	41.3	42.1	44.1	47.1	40.3	41.1	43.1	45.9	39.4	40.1	42.0	44.8	37.4	38.1	39.9	42.6	34.6	35.3	37.0	39.4	

Shaded area reflects AHRI conditions

IDB: Entering Indoor Dry Bulb Temperature

High and low pressures are measured at the liquid and suction service valves.

Amps = outdoor unit amps (comp.+fan)

kW = Total system power

EXPANDED COOLING DATA — GSX130601B* / CA*F4961*6A* (CONT.)

IDB	AIRFLOW	OUTDOOR AMBIENT TEMPERATURE												ENTERING INDOOR WET BULB TEMPERATURE												
		65°F				75°F				85°F				95°F				105°F				115°F				
		59	63	67	71	59	63	67	71	59	63	67	71	59	63	67	71	59	63	67	71	59	63	67	71	
80	1500	MBh	51.8	52.9	56.6	60.5	50.6	51.7	55.2	59.1	49.4	50.5	53.9	57.6	48.2	49.2	52.6	56.2	45.8	46.8	50.0	53.4	42.4	43.3	46.3	49.5
		S/T	0.83	0.78	0.64	0.48	0.86	0.81	0.66	0.49	0.89	0.83	0.68	0.51	0.91	0.86	0.70	0.52	0.95	0.89	0.72	0.54	0.96	0.90	0.73	0.55
		ΔT	26	25	22	18	27	26	22	18	27	26	22	18	27	26	23	18	27	26	21	17	25	24	21	17
	1750	kW	3.93	4.01	4.13	4.26	4.22	4.31	4.45	4.59	4.48	4.58	4.72	4.88	4.71	4.81	4.97	5.13	4.90	5.01	5.17	5.34	5.07	5.18	5.35	5.53
		Amps	14.7	15.1	15.6	16.1	15.9	16.3	16.8	17.5	17.3	17.7	18.3	19.0	18.5	19.0	19.6	20.4	19.7	20.2	20.9	21.7	20.9	21.4	22.2	23.0
		HI PR	234	251	265	277	262	282	298	311	298	321	339	353	339	365	386	402	382	411	434	453	422	454	479	500
	2000	LO PR	104	110	120	128	109	116	127	135	114	121	132	141	119	127	139	148	125	133	145	155	129	138	150	160
		MBh	56.1	57.4	61.3	65.5	54.8	56.0	59.9	64.0	53.5	54.7	58.4	62.5	52.2	53.4	57.0	60.9	49.6	50.7	54.2	57.9	45.9	46.9	50.2	53.6
		S/T	0.86	0.81	0.66	0.49	0.90	0.84	0.68	0.51	0.92	0.86	0.70	0.52	0.95	0.89	0.72	0.54	0.98	0.92	0.75	0.56	0.99	0.93	0.76	0.57
	1500	ΔT	25	24	21	17	26	25	22	17	26	25	22	17	26	25	22	17	26	25	21	17	24	23	20	16
		kW	4.02	4.11	4.23	4.37	4.33	4.42	4.56	4.70	4.59	4.69	4.84	5.00	4.83	4.93	5.09	5.26	5.03	5.14	5.31	5.48	5.20	5.32	5.49	5.67
		Amps	15.1	15.5	16.0	16.6	16.4	16.8	17.3	18.0	17.8	18.2	18.8	19.6	19.0	19.5	20.2	20.9	20.3	20.8	21.5	22.3	21.5	22.0	22.8	23.7
1750	HI PR	241	259	274	285	270	291	307	320	307	331	349	364	350	377	398	415	394	424	447	467	435	468	494	515	
	LO PR	107	114	124	132	113	120	131	140	117	125	136	145	123	131	143	152	129	137	150	160	133	142	155	165	
	MBh	57.8	59.1	63.1	67.5	56.5	57.7	61.6	65.9	55.1	56.3	60.2	64.3	53.8	55.0	58.7	62.8	51.1	52.2	55.8	59.6	47.3	48.4	51.7	55.2	
2000	S/T	0.91	0.85	0.69	0.52	0.94	0.88	0.72	0.54	0.96	0.90	0.74	0.55	1.00	0.93	0.76	0.57	1.00	0.97	0.79	0.59	1.00	1.00	0.79	0.59	
	ΔT	24	23	20	16	24	23	20	16	24	23	20	16	25	24	20	16	25	24	20	16	22	22	19	15	
	kW	4.05	4.14	4.27	4.40	4.36	4.45	4.59	4.74	4.63	4.73	4.88	5.04	4.87	4.97	5.13	5.30	5.07	5.18	5.35	5.53	5.24	5.36	5.54	5.72	
1500	Amps	15.2	15.6	16.1	16.7	16.5	16.9	17.5	18.1	18.0	18.4	19.0	19.8	19.2	19.7	20.4	21.1	20.5	21.0	21.7	22.5	21.7	22.3	23.0	23.9	
	HI PR	236	254	268	280	265	285	301	314	301	324	342	357	343	369	390	406	386	415	438	457	426	459	484	505	
	LO PR	105	111	121	129	110	118	128	137	115	122	133	142	121	128	140	149	126	134	147	156	131	139	152	162	
1750	MBh	57.1	58.2	61.0	65.0	55.8	56.9	59.6	63.5	54.5	55.5	58.1	62.0	53.1	54.2	56.7	60.5	50.5	51.4	53.9	57.5	46.7	47.7	49.9	53.2	
	S/T	0.91	0.87	0.79	0.64	0.94	0.91	0.82	0.66	0.96	0.93	0.84	0.68	0.99	0.96	0.87	0.70	1.00	1.00	0.90	0.73	1.00	1.00	0.91	0.74	
	ΔT	27	27	25	22	28	27	26	22	28	27	26	22	28	27	26	22	27	27	25	22	25	25	24	21	
2000	kW	4.05	4.14	4.27	4.40	4.36	4.45	4.59	4.74	4.63	4.73	4.88	5.04	4.87	4.97	5.13	5.30	5.07	5.18	5.35	5.53	5.24	5.36	5.54	5.72	
	Amps	15.2	15.6	16.1	16.7	16.5	16.9	17.5	18.1	18.0	18.4	19.0	19.8	19.2	19.7	20.4	21.1	20.5	21.0	21.7	22.5	21.7	22.3	23.0	23.9	
	HI PR	243	262	276	288	273	294	310	323	310	334	353	368	353	380	402	419	398	428	452	471	439	473	499	521	
1500	LO PR	108	115	125	133	114	121	132	141	118	126	137	146	124	132	144	154	130	139	151	161	135	143	157	167	
	MBh	58.8	60.0	62.8	67.0	57.5	58.6	61.3	65.4	56.1	57.2	59.9	63.9	54.7	55.8	58.4	62.3	52.0	53.0	55.5	59.2	48.2	49.1	51.4	54.8	
	S/T	0.95	0.92	0.83	0.67	0.99	0.95	0.86	0.70	1.00	0.97	0.88	0.71	1.00	1.00	0.91	0.74	1.00	1.00	0.94	0.76	1.00	1.00	0.95	0.77	
1750	ΔT	26	25	24	21	26	26	24	21	26	26	24	21	25	26	24	21	25	24	24	21	22	23	22	19	
	kW	4.09	4.17	4.30	4.44	4.39	4.49	4.63	4.78	4.67	4.77	4.92	5.08	4.91	5.01	5.18	5.35	5.11	5.22	5.39	5.57	5.29	5.40	5.58	5.77	
	Amps	15.4	15.8	16.3	16.9	16.7	17.1	17.6	18.3	18.1	18.6	19.2	19.9	19.4	19.9	20.6	21.3	20.7	21.2	21.9	22.7	21.9	22.5	23.2	24.1	
2000	HI PR	246	264	279	291	276	297	313	327	313	337	356	371	357	384	406	423	402	432	456	476	444	477	504	526	
	LO PR	109	116	126	135	115	122	134	142	120	127	139	148	126	134	146	155	132	140	153	163	136	145	158	168	

IDB: Entering Indoor Dry Bulb Temperature
 High and low pressures are measured at the liquid and suction service valves.
 Shaded area reflects AHRI conditions
 Amps = outdoor unit amps (comp.+fan)
 kW = Total system power

EXPANDED COOLING DATA — GSX130611*/CA*F4961*6D*+EEP

IDB	AIRFLOW	OUTDOOR AMBIENT TEMPERATURE																									
		65				75				85				95				105				115					
		59	63	67	71	59	63	67	71	59	63	67	71	59	63	67	71	59	63	67	71	59	63	67	71		
70	1500	MBh	53.8	55.7	61.0	-	52.5	54.4	59.6	-	51.3	53.1	58.2	-	50.0	51.8	56.8	-	47.5	49.2	53.9	-	44.0	45.6	50.0	-	
		S/T	0.66	0.55	0.38	-	0.68	0.57	0.39	-	0.70	0.58	0.40	-	0.72	0.60	0.42	-	0.75	0.62	0.43	-	0.75	0.63	0.44	-	
		ΔT	22	19	14	-	22	19	14	-	22	19	14	-	22	19	14	-	22	19	14	-	20	18	13	-	
	1750	kW	3.97	4.05	4.18	-	4.27	4.37	4.51	-	4.54	4.64	4.80	-	4.78	4.89	5.05	-	4.99	5.10	5.27	-	5.16	5.28	5.45	-	
		Amps	15.4	15.8	16.3	-	16.7	17.1	17.6	-	18.1	18.6	19.2	-	19.4	19.9	20.6	-	20.7	21.2	21.9	-	22.0	22.5	23.3	-	
		HI PR	228	245	259	-	256	275	291	-	291	313	331	-	331	357	377	-	373	401	424	-	412	443	468	-	
	2000	LO PR	98	104	114	-	103	110	120	-	107	114	125	-	113	120	131	-	118	126	137	-	122	130	142	-	
		MBh	55.4	57.4	62.9	-	54.1	56.1	61.4	-	52.8	54.7	59.9	-	51.5	53.4	58.5	-	48.9	50.7	55.6	-	45.3	47.0	51.5	-	
		S/T	0.69	0.57	0.40	-	0.71	0.60	0.41	-	0.73	0.61	0.42	-	0.75	0.63	0.44	-	0.78	0.65	0.45	-	0.79	0.66	0.46	-	
	75	1500	ΔT	20	17	13	-	20	18	13	-	20	18	13	-	20	18	13	-	20	17	13	-	19	16	12	-
			kW	4.00	4.09	4.21	-	4.31	4.40	4.54	-	4.58	4.68	4.84	-	4.82	4.93	5.09	-	5.03	5.14	5.31	-	5.20	5.32	5.50	-
			Amps	15.5	15.9	16.4	-	16.8	17.2	17.8	-	18.3	18.8	19.4	-	19.6	20.1	20.8	-	20.9	21.4	22.2	-	22.2	22.7	23.5	-
1750		HI PR	230	248	262	-	258	278	294	-	294	316	334	-	335	360	380	-	377	405	428	-	416	448	473	-	
		LO PR	99	105	115	-	104	111	121	-	108	115	126	-	114	121	132	-	119	127	139	-	124	131	143	-	
		MBh	55.6	57.7	63.2	-	54.3	56.3	61.7	-	53.0	55.0	60.2	-	51.8	53.6	58.8	-	49.2	51.0	55.8	-	45.5	47.2	51.7	-	
2000		S/T	0.70	0.58	0.40	-	0.72	0.60	0.42	-	0.74	0.62	0.43	-	0.77	0.64	0.44	-	0.79	0.66	0.46	-	0.80	0.67	0.46	-	
		ΔT	18	15	12	-	18	16	12	-	18	16	12	-	18	16	12	-	18	16	12	-	17	15	11	-	
		kW	4.03	4.12	4.25	-	4.34	4.44	4.58	-	4.62	4.72	4.88	-	4.86	4.97	5.13	-	5.07	5.18	5.36	-	5.25	5.37	5.55	-	
75		1500	Amps	15.7	16.0	16.6	-	17.0	17.4	18.0	-	18.5	18.9	19.6	-	19.8	20.3	21.0	-	21.1	21.6	22.4	-	22.4	22.9	23.7	-
			HI PR	233	250	264	-	261	281	297	-	297	319	337	-	338	364	384	-	380	409	432	-	420	452	477	-
			LO PR	100	106	116	-	105	112	122	-	110	117	127	-	115	122	134	-	121	128	140	-	125	133	145	-
1750	MBh	56.3	58.0	62.7	67.3	55.0	56.6	61.3	65.8	53.7	55.3	59.8	64.2	52.4	53.9	58.4	62.6	49.8	51.2	55.5	59.5	46.1	47.5	51.4	55.1		
	S/T	0.78	0.70	0.53	0.34	0.81	0.72	0.55	0.35	0.83	0.74	0.56	0.36	0.86	0.77	0.58	0.37	0.89	0.80	0.60	0.39	0.90	0.80	0.61	0.39		
	ΔT	23	21	17	12	23	22	18	12	23	22	18	12	24	22	18	12	23	21	18	12	22	20	16	11		
2000	kW	4.03	4.12	4.25	4.39	4.34	4.44	4.58	4.73	4.62	4.72	4.88	5.04	4.86	4.97	5.14	5.31	5.07	5.18	5.36	5.54	5.25	5.37	5.55	5.74		
	Amps	15.7	16.1	16.6	17.2	17.0	17.4	18.0	18.7	18.5	18.9	19.6	20.3	19.8	20.3	21.0	21.8	21.1	21.6	22.4	23.2	22.4	22.9	23.7	24.7		
	HI PR	233	250	264	276	261	281	297	309	297	320	337	352	338	364	384	401	380	409	432	451	420	452	478	498		
75	1500	LO PR	100	106	116	123	105	112	122	130	110	117	127	136	115	122	134	142	121	128	140	149	125	133	145	154	
		MBh	56.6	58.3	63.1	67.7	55.3	56.9	61.6	66.1	53.9	55.5	60.1	64.5	52.6	54.2	58.7	63.0	50.0	51.5	55.7	59.8	46.3	47.7	51.6	55.4	
		S/T	0.79	0.71	0.54	0.35	0.82	0.73	0.56	0.36	0.84	0.75	0.57	0.37	0.87	0.78	0.59	0.38	0.90	0.81	0.61	0.39	0.91	0.81	0.62	0.40	
2000	ΔT	21	19	16	11	21	19	16	11	21	19	16	11	21	19	16	11	21	19	16	11	19	18	15	10		
	kW	4.06	4.15	4.28	4.42	4.38	4.48	4.62	4.77	4.66	4.76	4.92	5.08	4.90	5.01	5.18	5.35	5.11	5.23	5.40	5.59	5.29	5.41	5.59	5.78		
	Amps	15.8	16.2	16.7	17.4	17.1	17.6	18.1	18.8	18.7	19.1	19.8	20.5	20.0	20.5	21.2	22.0	21.3	21.8	22.6	23.5	22.6	23.2	24.0	24.9		
75	1500	HI PR	235	253	267	278	264	284	300	312	300	323	341	355	341	367	388	405	384	413	437	455	424	457	482	503	
		LO PR	101	107	117	125	106	113	124	132	111	118	129	137	116	124	135	144	122	130	141	151	126	134	146	156	
		MBh	56.3	58.0	62.7	67.3	55.0	56.6	61.3	65.8	53.7	55.3	59.8	64.2	52.4	53.9	58.4	62.6	49.8	51.2	55.5	59.5	46.1	47.5	51.4	55.1	

Shaded area reflects ACCA (TVA) conditions
 Amps = outdoor unit amps (comp.+fan)
 kW = Total system power

AHRI RATINGS

OUTDOOR UNIT	INDOOR UNITS		COOLING RATINGS				CFM	AHRI #
	COILS/AIR HANDLERS	FURNACES	TOTAL ¹	SENS. ¹	SEER ²	EER ³		
GSX13 0181E*	ACNF18XX16D*		16,800	12,800	13.0	10.8	600	5039733
	ACNF24XX16D*		17,000	13,000	13.0	10.8	600	5039734
	ARPT18B14A*		17,400	13,300	13.0	11.0	600	5360106
	ARPT24B14A*		17,200	13,100	13.0	11.0	600	5378531
	ARUF18B14A*		17,200	13,100	13.0	11.0	600	5360107
	ARUF18B14A*+TXV		17,200	13,100	13.0	11.0	600	5378529
	ARUF24B14B*		17,200	12,800	13.0	11.0	600	5647167
	ARUF24B14B*+TXV		17,200	12,800	13.5	11.0	600	5647168
	ASPF183016E*		18,800	14,300	14.0	11.5	635	5039737
	AVPTC183014A*		17,800	13,600	14.0	11.5	600	5039738
	AWUF18XX16B*		17,200	13,100	13.0	11.0	600	5039739
	AWUF31XX16A*		17,200	13,100	14.0	11.3	600	5039740
	CA*F1824*6D*	A*VC80604B*B*	18,000	13,700	14.0	11.5	675	5039742
	CA*F1824*6D*	G*E80603B*B*	17,800	13,600	14.0	11.5	640	5039744
	CA*F1824*6D*	G*VC80604B*B*	18,000	13,700	14.0	11.5	670	5039746
	CA*F1824*6D*	G*VC950453BXA*	17,800	13,600	14.0	11.5	640	5039748
	CA*F1824*6D*	G*VC950704CXA*	17,800	13,600	14.0	11.5	640	5532827
	CA*F1824*6D*	G*VM960603BXA*	18,000	13,700	14.0	11.5	670	5039749
	CA*F1824*6D*+EEP		17,800	13,600	13.0	11.0	650	5039750
	CA*F1824*6D*+MBVC1200**-1A*		18,200	13,900	14.0	11.5	640	5039751
	CA*F3030*6D*+EEP		18,000	13,700	13.0	11.0	650	5561904
	CA*F3030*6D*+EEP+TXV		18,000	13,700	13.0	11.0	650	5581977
	CA*F3131*6D*+EEP		18,000	13,700	13.0	11.0	650	5561905
	CA*F3131*6D*+EEP+TXV		18,000	13,700	13.0	11.0	650	5561906
	CHPF1824A6C*+EEP		17,800	13,600	13.0	11.0	650	5039752
	CHPF2430B6C*	A*VC80604B*B*	17,700	13,500	14.0	11.5	660	5039796
	CHPF2430B6C*	G*E80603B*B*	18,000	13,700	14.0	11.5	640	5039754
	CHPF2430B6C*	G*VC80604B*B*	17,700	13,500	14.0	11.5	660	5039798
	CHPF2430B6C*	G*VC950453BXA*	18,200	13,900	14.0	11.5	650	5039756
	CHPF2430B6C*	G*VM960603BXA*	18,200	13,900	14.0	11.5	675	5039757
	CHPF2430B6C*+EEP		17,800	13,600	13.0	11.0	650	5039758
	CHPF2430B6C*+MBVC1200**-1A*		18,200	13,900	14.0	11.5	650	5039759
	CSCF1824N6D*	A*VC80604B*B*	17,700	13,500	14.0	11.5	660	5039800
	CSCF1824N6D*	G*E80603B*B*	18,000	13,700	14.0	11.5	640	5039760
	CSCF1824N6D*	G*VC80604B*B*	17,700	13,500	14.0	11.5	660	5039801
	CSCF1824N6D*	G*VC950453BXA*	18,200	13,900	14.0	11.5	650	5039761
	CSCF1824N6D*	G*VM960603BXA*	18,200	13,900	14.0	11.5	670	5039762
	CSCF1824N6D*+EEP		17,800	13,600	13.0	11.0	650	5039763

¹ BTU/h

² Seasonal Energy Efficiency Ratio; Certified per AHRI 210/240 @ 80°F/ 67°F/ 95°F

³ Energy Efficiency Ratio @ 80°F/ 67°F/ 95°F

NOTES

- Always check the S&R plate for electrical data on the unit being installed.
- When matching outdoor unit to indoor unit, use the piston supplied with the outdoor unit or that specified on the piston kit chart supplied with the indoor unit.
- EEP - Order from Service Dept. Part No. B13707-38 or new Solid State Board B13707-35S. Part No. B13707-38 is not interchangeable with B13707-35S. The Goodman Gas Furnace contains the EEP cooling time delay

AHRI RATINGS (CONT.)

OUTDOOR UNIT	INDOOR UNITS		COOLING RATINGS				CFM	AHRI #
	COILS/AIR HANDLERS	FURNACES	TOTAL ¹	SENS. ¹	SEER ²	EER ³		
GSX13 0241D*	ACNF24XX16D*		22,400	16,500	13.0	11.0	770	4699979
	ARPT24B14A*		22,400	16,500	13.0	11.0	800	5360108
	ARUF24B14B*		22,000	16,600	13.0	11.0	800	5647169
	ARUF24B14B*+TXV		22,000	16,600	13.5	11.0	800	5647170
	ASPF183016E*		23,400	17,200	14.0	11.5	800	4699988
	AVPTC183014A*		23,400	17,200	14.0	11.5	820	4699989
	AWUF24XX16B*		23,000	16,900	13.0	11.0	800	4699990
	AWUF30XX16B*		23,200	17,100	13.0	11.0	800	4699991
	AWUF31XX16A*		23,000	16,900	14.0	11.3	800	4699992
	AWUF32XX16A*		23,000	16,900	14.0	11.3	800	4699993
	CA*F1824*6D*	G*E80603B*B*	23,000	16,900	14.0	11.5	860	5038902
	CA*F1824*6D*	G*VC950453BXA*	23,000	16,900	14.0	11.5	800	4700000
	CA*F1824*6D*	G*VC950704CXA*	23,000	16,900	14.0	11.5	800	4700001
	CA*F1824*6D*	G*VM960603BXA*	23,000	16,900	14.0	11.5	800	4700002
	CA*F1824*6D*+EEP		23,000	16,900	13.0	11.0	800	4700003
	CA*F1824*6D*+MBVC1200**-1A*		23,000	16,900	14.0	11.5	800	4700004
	CA*F3030*6D*+EEP		23,000	16,900	13.0	11.0	800	5561907
	CA*F3030*6D*+EEP+TXV		23,000	16,900	13.0	11.0	800	5581978
	CA*F3131*6D*+EEP		23,000	16,900	13.0	11.0	800	5561908
	CA*F3131*6D*+EEP+TXV		23,000	16,900	13.0	11.0	800	5561909
	CA*F3636*6D*+EEP		23,000	16,900	13.0	11.0	800	5561910
	CA*F3636*6D*+EEP+TXV		23,000	16,900	13.0	11.0	800	5561911
	CHPF1824A6C*+EEP		23,000	16,900	13.0	11.0	800	4700005
	CHPF2430B6C*	G*E80603B*B*	23,000	16,900	14.0	11.5	860	5039075
	CHPF2430B6C*	G*VC950453BXA*	23,400	17,200	14.0	11.5	800	4700007
	CHPF2430B6C*	G*VM960603BXA*	23,400	17,200	14.0	11.5	800	4700008
	CHPF2430B6C*+EEP		23,000	16,900	13.0	11.0	800	4700009
	CHPF2430B6C*+MBVC1200**-1A*		23,400	17,200	14.0	11.5	800	4700010
GSX13 0301B*	ACNF30XX16D*		27,600	20,800	13.0	11.0	890	4689680
	ARPT30B14A*		27,000	20,400	13.0	11.0	900	5383473
	ARUF30B14A*		27,000	20,400	13.0	11.0	900	5383471
	ARUF30B14A*+TXV		27,000	20,400	13.0	11.0	900	5383474
	ARUF36C14B*		27,200	21,400	13.0	11.0	1,000	5647171
	ARUF36C14B*+TXV		27,200	21,400	13.5	11.5	1,000	5647172
	ASPF183016E*		28,400	21,400	14.0	11.5	1,050	4244346
	AVPTC183014A*		28,400	21,400	14.0	11.5	1,000	4431248
	AWUF30XX16B*		27,600	20,800	13.0	11.0	1,000	3287812
	AWUF36XX16B*		27,800	21,000	13.0	11.0	1,000	3287813
	AWUF37XX16B*		28,000	21,200	13.0	11.0	1,000	3287814
	CA*F3030*6D*	A*VC950714CXA*	28,400	21,400	14.0	11.5	1,000	4586365
	CA*F3030*6D*	A*VM960604CXA*	28,400	21,400	14.0	11.5	1,000	4652224
	CA*F3030*6D*	G*VC950453BXA*	28,400	21,400	14.0	11.5	1,000	4355507
	CA*F3030*6D*	G*VC950704CXA*	28,400	21,400	14.0	11.5	1,000	4355508
	CA*F3030*6D*	G*VC950714CXA*	28,400	21,400	14.0	11.5	1,000	4355509
	CA*F3030*6D*	G*VM960603BXA*	28,400	21,400	14.0	11.5	1,000	4652211
	CA*F3030*6D*	G*VM960604CXA*	28,400	21,400	14.0	11.5	1,000	4652221
	CA*F3030*6D*+EEP		28,400	21,400	13.0	11.0	1,050	4355516

See Notes on Page 22.

AHRI RATINGS (CONT.)

OUTDOOR UNIT	INDOOR UNITS		COOLING RATINGS				CFM	AHRI #
	COILS/AIR HANDLERS	FURNACES	TOTAL ¹	SENS. ¹	SEER ²	EER ³		
GSX13 0301B* (cont.)	CA*F3131*6D*	A*VC950714CXA*	28,600	21,600	14.0	11.5	1,050	4586367
	CA*F3131*6D*	A*VM960604CXA*	28,600	21,600	14.0	11.5	1,050	4652272
	CA*F3131*6D*	G*VC950453BXA*	28,600	21,600	14.0	11.5	1,000	4385557
	CA*F3131*6D*	G*VC950704CXA*	28,400	21,400	14.0	11.5	900	4385556
	CA*F3131*6D*	G*VC950714CXA*	28,600	21,600	14.0	11.5	1,050	4385555
	CA*F3131*6D*	G*VM960603BXA*	28,600	21,600	14.0	11.5	1,000	4652264
	CA*F3131*6D*	G*VM960604CXA*	28,600	21,600	14.0	11.5	1,050	4652273
	CA*F3131*6D*+EEP		28,600	21,600	13.0	11.0	1,050	4385558
	CA*F3131*6D*+MBVC1200**-1A*		28,400	21,400	14.0	11.5	950	4385559
	CA*F3636*6D*+EEP		28,400	21,400	13.0	11.0	1,000	5561912
	CA*F3636*6D*+EEP+TXV		28,400	21,400	13.0	11.0	1,000	5561913
	CA*F3642*6D*+EEP		28,400	21,400	13.0	11.0	1,000	5561914
	CA*F3642*6D*+EEP+TXV		28,400	21,400	13.0	11.0	1,000	5561915
	CA*F3743*6D*+EEP		28,400	21,400	13.5	11.0	1,000	5581982
	CA*F3743*6D*+EEP+TXV		28,400	21,400	13.5	11.0	1,000	5581983
	CHPF2430B6C*	A*VM960604CXA*	28,400	21,400	14.0	11.5	1,000	4652226
	CHPF2430B6C*	G*VC950453BXA*	28,400	21,400	14.0	11.5	1,000	3598078
	CHPF2430B6C*	G*VM960603BXA*	28,400	21,400	14.0	11.5	1,000	4652213
	CHPF2430B6C*	G*VM960604CXA*	28,400	21,400	14.0	11.5	1,000	4652228
	CHPF2430B6C*+EEP		28,400	21,400	13.0	11.0	1,050	3299982
CHPF2430B6C*+MBVC1200**-1A*		28,400	21,400	14.0	11.5	1,050	3609438	
CSCF3036N6D*	G*VC950453BXA*	28,400	21,400	14.0	11.3	1,000	4767410	
CSCF3036N6D*+EEP		28,400	21,400	13.0	11.0	1,000	4767411	
GSX13 0361C*	ARPT36C14A*		33,000	25,000	13.0	11.0	1,175	5625581
	ARPT42D14A*		34,200	26,000	13.5	11.3	1,200	5625582
	ARUF36C14B*		33,000	25,000	13.0	11.0	1,020	5647173
	ARUF36C14B*+TXV		34,000	25,800	13.0	11.0	1,275	5647174
	ARUF42C14A*		34,200	26,000	13.0	11.0	1,175	5625585
	ARUF42C14A*+TXV		34,200	26,000	13.0	11.0	1,175	5625586
	ASPF313716E*		33,600	25,600	14.0	11.5	1,200	5625587
	AVPTC313714A*		33,600	25,600	14.0	11.5	1,200	5625588
	AWUF36XX16B*		33,400	25,400	13.0	11.0	1,150	5625589
	AWUF37XX16B*		33,600	25,600	13.0	11.0	1,200	5625590
	CA*F3636*6D*+EEP		33,600	25,600	13.0	11.0	1,200	5625147
	CA*F3636*6D*	A*VC950714CXB*	33,600	25,600	13.5	11.3	1,210	5625591
	CA*F3636*6D*	A*VC950915DXB*	33,600	25,600	13.5	11.3	1,210	5625592
	CA*F3636*6D*	A*VM960604CXB*	33,600	25,600	13.5	11.3	1,210	5625593
	CA*F3636*6D*	G*VC950714CXB*	33,600	25,600	13.5	11.3	1,210	5625594
	CA*F3636*6D*	G*VC950905CXB*	33,600	25,600	13.5	11.3	1,210	5625595
	CA*F3636*6D*	G*VC950905DXB*	33,600	25,600	13.5	11.3	1,210	5625596
	CA*F3636*6D*	G*VC950915DXB*	33,600	25,600	13.5	11.3	1,210	5625597
	CA*F3636*6D*	G*VC951155DXB*	33,600	25,600	13.5	11.3	1,210	5625598
	CA*F3636*6D*	G*VM960604CXB*	33,600	25,600	13.5	11.3	1,210	5625599
CA*F3636*6D*	G*VM960805CXB*	33,600	25,600	13.5	11.3	1,210	5625600	
CA*F3636*6D*	G*VM960805DXB*	33,600	25,600	13.5	11.3	1,210	5625601	
CA*F3636*6D*	G*VM961005DXB*	33,600	25,600	13.5	11.3	1,210	5625602	
CA*F3636*6D*	G*VM961155DXB*	33,600	25,600	13.5	11.3	1,210	5625603	

See Notes on Page 22.

AHRI RATINGS (CONT.)

OUTDOOR UNIT	INDOOR UNITS		COOLING RATINGS				CFM	AHRI #
	COILS/AIR HANDLERS	FURNACES	TOTAL ¹	SENS. ¹	SEER ²	EER ³		
GSX13 0361C* (cont.)	CA*F3642*6D*+EEP		33,600	25,600	13.0	11.0	1,200	5625604
	CA*F3642*6D*+MBVC1600**-1A*		34,000	25,800	14.0	11.5	1,200	5625605
	CA*F3642*6D*	A*VC950714CXB*	34,000	25,800	14.0	11.5	1,210	5625606
	CA*F3642*6D*	A*VC950915DXB*	34,000	25,800	14.0	11.5	1,210	5625607
	CA*F3642*6D*	A*VM960604CXB*	34,000	25,800	14.0	11.5	1,210	5625608
	CA*F3642*6D*	G*VC950714CXB*	34,000	25,800	14.0	11.5	1,210	5625609
	CA*F3642*6D*	G*VC950905CXB*	34,000	25,800	14.0	11.5	1,210	5625610
	CA*F3642*6D*	G*VC950905DXB*	34,000	25,800	14.0	11.5	1,210	5625611
	CA*F3642*6D*	G*VC950915DXB*	34,000	25,800	14.0	11.5	1,210	5625612
	CA*F3642*6D*	G*VC951155DXB*	34,000	25,800	14.0	11.5	1,210	5625613
	CA*F3642*6D*	G*VM960604CXB*	34,000	25,800	14.0	11.5	1,210	5625614
	CA*F3642*6D*	G*VM960805CXB*	34,000	25,800	14.0	11.5	1,210	5625615
	CA*F3642*6D*	G*VM960805DXB*	34,000	25,800	14.0	11.5	1,210	5625616
	CA*F3642*6D*	G*VM961005DXB*	34,000	25,800	14.0	11.5	1,210	5625617
	CA*F3642*6D*	G*VM961155DXB*	34,000	25,800	14.0	11.5	1,210	5625618
	CA*F3743*6D*+EEP		34,200	26,000	13.0	11.0	1,200	5625619
	CA*F3743*6D*+EEP+TXV		34,200	26,000	13.5	11.0	1,200	5625620
	CA*F3743*6D*+MBVC1600**-1A*		34,000	25,800	14.0	11.5	1,200	5625621
	CA*F3743*6D*	A*VC950714CXB*	34,000	25,800	14.0	11.5	1,210	5625622
	CA*F3743*6D*	A*VC950915DXB*	34,000	25,800	14.0	11.5	1,210	5625623
	CA*F3743*6D*	A*VM960604CXB*	34,000	25,800	14.0	11.5	1,210	5625624
	CA*F3743*6D*	G*VC950714CXB*	34,000	25,800	14.0	11.5	1,210	5625625
	CA*F3743*6D*	G*VC950905CXB*	34,000	25,800	14.0	11.5	1,200	5625626
	CA*F3743*6D*	G*VC950905DXB*	34,000	25,800	14.0	11.5	1,210	5625627
	CA*F3743*6D*	G*VC950915DXB*	34,000	25,800	14.0	11.5	1,210	5625628
	CA*F3743*6D*	G*VC951155DXB*	34,000	25,800	14.0	11.5	1,210	5625629
	CA*F3743*6D*	G*VM960604CXB*	34,000	25,800	14.0	11.5	1,210	5625630
	CA*F3743*6D*	G*VM960805CXB*	34,000	25,800	14.0	11.5	1,200	5625631
	CA*F3743*6D*	G*VM960805DXB*	34,000	25,800	14.0	11.5	1,210	5625632
	CA*F3743*6D*	G*VM961005DXB*	34,000	25,800	14.0	11.5	1,210	5625633
	CA*F3743*6D*	G*VM961155DXB*	34,000	25,800	14.0	11.5	1,210	5625634
	CAPT3743*4A*+EEP		34,000	25,800	13.0	11.0	1,200	5625635
	CAPT3743*4A*+MBVC1600**-1A*		34,000	25,800	14.0	11.5	1,200	5625636
	CAPT3743*4A*+MBVC2000**-1A*		34,000	25,800	14.0	11.5	1,200	5625637
	CHPF3636B6C*+EEP		34,000	25,800	13.0	11.0	1,200	5625638
	CHPF3642C6C*+EEP		34,000	25,800	13.0	11.0	1,200	5625639
	CHPF3642C6C*+MBVC1600**-1A*		34,000	25,800	14.0	11.5	1,200	5625640
	CHPF3642D6C*+EEP		34,000	25,800	13.0	11.0	1,200	5625641
	CHPF3642D6C*	A*VM960604CXB*	33,600	25,600	14.0	11.5	1,210	5625642
	CHPF3642D6C*	G*VC950905CXB*	33,600	25,600	14.0	11.5	1,210	5625643
	CHPF3642D6C*	G*VC950905DXB*	33,600	25,600	14.0	11.5	1,210	5625644
	CHPF3642D6C*	G*VC951155DXB*	33,600	25,600	14.0	11.5	1,210	5625645
CHPF3642D6C*	G*VM960604CXB*	33,600	25,600	14.0	11.5	1,210	5625646	
CHPF3642D6C*	G*VM960805CXB*	33,600	25,600	14.0	11.5	1,210	5625647	
CHPF3642D6C*	G*VM960805DXB*	33,600	25,600	14.0	11.5	1,210	5625648	
CHPF3642D6C*	G*VM961005DXB*	33,600	25,600	14.0	11.5	1,210	5625649	
CHPF3642D6C*	G*VM961155DXB*	33,600	25,600	14.0	11.5	1,210	5625650	

See Notes on Page 22.

AHRI RATINGS (CONT.)

OUTDOOR UNIT	INDOOR UNITS		COOLING RATINGS				CFM	AHRI #
	COILS/AIR HANDLERS	FURNACES	TOTAL ¹	SENS. ¹	SEER ²	EER ³		
GSX13 0361E*	ARPT36C14A*		33,000	25,800	11.0	13.0	1,150	5696616
	ARPT42D14A*		34,200	26,600	11.3	13.5	1,150	5696617
	ARUF36C14A*		33,000	25,800	11.0	13.0	1,020	5696618
	ARUF36C14A*+TXV		34,000	26,400	11.0	13.0	1,220	5696619
	ARUF36C14B*		33,000	25,800	11.0	13.0	1,000	5696620
	ARUF36C14B*+TXV		34,000	26,400	11.0	13.0	1,165	5696621
	ARUF42C14A*		34,200	26,600	11.0	13.0	1,150	5696622
	ARUF42C14A*+TXV		34,200	26,600	11.0	13.0	1,150	5696623
	ASPF313716E*		33,600	26,200	11.5	14.0	1,150	5696624
	AVPTC313714A*		33,600	26,200	11.5	14.0	1,150	5696625
	AWUF36XX16B*		33,400	26,000	11.0	13.0	1,150	5696626
	AWUF37XX16B*		33,600	26,200	11.0	13.0	1,150	5696627
	CA*F3636*6D*	A*VC950714CXB*	33,600	26,200	11.3	13.5	1,135	5696713
	CA*F3636*6D*	G*VC950905DXB*	33,600	26,200	11.3	13.5	1,220	5696703
	CA*F3636*6D*	A*VM960604CXB*	33,600	26,200	11.3	13.5	1,155	5696634
	CA*F3636*6D*	G*VM961155DXB*	33,600	26,200	11.3	13.5	1,135	5696719
	CA*F3636*6D*	G*VM960604CXB*	33,600	26,200	11.3	13.5	1,150	5696687
	CA*F3636*6D*	A*VC950915DXB*	33,600	26,200	11.3	13.5	1,150	5696631
	CA*F3636*6D*	G*VC950905CXB*	33,600	26,200	11.3	13.5	1,220	5696691
	CA*F3636*6D*	G*VM960805DXB*	33,600	26,200	11.3	13.5	1,205	5696695
	CA*F3636*6D*	G*VM960805CXB*	33,600	26,200	11.3	13.5	1,155	5696707
	CA*F3636*6D*	G*VC951155DXB*	33,600	26,200	11.3	13.5	1,150	5696715
	CA*F3636*6D*	G*VM961005DXB*	33,600	26,200	11.3	13.5	1,220	5696699
	CA*F3636*6D*	G*VC950915DXB*	33,600	26,200	11.3	13.5	1,205	5696628
	CA*F3636*6D*	G*VC950714CXB*	33,600	26,200	11.3	13.5	1,205	5696711
	CA*F3636*6D*+EEP		33,600	26,200	11.0	13.0	1,200	5696608
	CA*F3642*6D*	G*VC951155DXB*	34,000	26,400	11.5	14.0	1,160	5696716
	CA*F3642*6D*	G*VM961155DXB*	34,000	26,400	11.5	14.0	1,225	5696720
	CA*F3642*6D*	A*VM960604CXB*	34,000	26,400	11.5	14.0	1,165	5696635
	CA*F3642*6D*	G*VM961005DXB*	34,000	26,400	11.5	14.0	1,160	5696700
	CA*F3642*6D*	G*VC950905CXB*	34,000	26,400	11.5	14.0	1,165	5696692
	CA*F3642*6D*	G*VC950905DXB*	34,000	26,400	11.5	14.0	1,165	5696704
	CA*F3642*6D*	A*VC950714CXB*	34,000	26,400	11.5	14.0	1,225	5696639
	CA*F3642*6D*	G*VM960805DXB*	34,000	26,400	11.5	14.0	1,210	5696696
	CA*F3642*6D*	G*VM960604CXB*	34,000	26,400	11.5	14.0	1,165	5696688
	CA*F3642*6D*	G*VM960805CXB*	34,000	26,400	11.5	14.0	1,165	5696708
	CA*F3642*6D*	A*VC950915DXB*	34,000	26,400	11.5	14.0	1,225	5696632
	CA*F3642*6D*	G*VC950915DXB*	34,000	26,400	11.5	14.0	1,205	5696629
	CA*F3642*6D*	G*VC950714CXB*	34,000	26,400	11.5	14.0	1,210	5696638
	CA*F3642*6D*+EEP		33,600	26,200	11.0	13.0	1,200	5696609
	CA*F3642*6D*+MBVC1600**-1A*		34,000	26,400	11.5	14.0	1,200	5696640
	CA*F3743*6D*	A*VC950915DXB*	34,000	26,400	11.5	14.0	1,165	5696633
CA*F3743*6D*	A*VM960604CXB*	34,000	26,400	11.5	14.0	1,225	5696636	
CA*F3743*6D*	G*VC950915DXB*	34,000	26,400	11.5	14.0	1,170	5696630	
CA*F3743*6D*	A*VC950714CXB*	34,000	26,400	11.5	14.0	1,165	5696714	
CA*F3743*6D*	G*VC950905CXB*	34,000	26,400	11.5	14.0	1,185	5696693	
CA*F3743*6D*	G*VM961155DXB*	34,000	26,400	11.5	14.0	1,090	5696721	

See Notes on Page 22.

AHRI RATINGS (CONT.)

OUTDOOR UNIT	INDOOR UNITS		COOLING RATINGS				CFM	AHRI #
	COILS/AIR HANDLERS	FURNACES	TOTAL ¹	SENS. ¹	SEER ²	EER ³		
GSX13 0361E* (cont.)	CA*F3743*6D*	G*VM960604CXB*	34,000	26,400	11.5	14.0	1,225	5696689
	CA*F3743*6D*	G*VC951155DXB*	34,000	26,400	11.5	14.0	1,210	5696717
	CA*F3743*6D*	G*VC950905DXB*	34,000	26,400	11.5	14.0	1,170	5696705
	CA*F3743*6D*	G*VC950714CXB*	34,000	26,400	11.5	14.0	1,185	5696712
	CA*F3743*6D*	G*VM960805DXB*	34,000	26,400	11.5	14.0	1,225	5696697
	CA*F3743*6D*	G*VM960805CXB*	34,000	26,400	11.5	14.0	1,210	5696709
	CA*F3743*6D*	G*VM961005DXB*	34,000	26,400	11.5	14.0	1,210	5696701
	CA*F3743*6D*+EEP		34,200	26,600	11.0	13.0	1,200	5696610
	CA*F3743*6D*+EEP+TXV		34,200	26,600	11.0	13.5	1,200	5696611
	CA*F3743*6D*+MBVC1600**-1A*		34,000	26,400	11.5	14.0	1,210	5696641
	CAPT3743*4A*+EEP		34,000	26,400	11.0	13.0	1,200	5696612
	CAPT3743*4A*+MBVC1600**-1A*		34,000	26,400	11.5	14.0	1,205	5696642
	CAPT3743*4A*+MBVC2000**-1A*		34,000	26,400	11.5	14.0	1,205	5696644
	CHPF3636B6C*+EEP		34,000	26,400	11.0	13.0	1,200	5696613
	CHPF3642C6C*+EEP		34,000	26,400	11.0	13.0	1,200	5696614
	CHPF3642C6C*+MBVC1600**-1A*		34,000	26,400	11.5	14.0	1,210	5696643
	CHPF3642D6C*	G*VC950905DXB*	33,600	26,200	11.5	14.0	1,170	5696706
	CHPF3642D6C*	G*VM961155DXB*	33,600	26,200	11.5	14.0	1,170	5696722
	CHPF3642D6C*	G*VM960604CXB*	33,600	26,200	11.5	14.0	1,105	5696690
	CHPF3642D6C*	G*VM960805CXB*	33,600	26,200	11.5	14.0	1,210	5696710
	CHPF3642D6C*	G*VC950905CXB*	33,600	26,200	11.5	14.0	1,170	5696694
	CHPF3642D6C*	G*VC951155DXB*	33,600	26,200	11.5	14.0	1,170	5696718
	CHPF3642D6C*	A*VM960604CXB*	33,600	26,200	11.5	14.0	1,225	5696637
	CHPF3642D6C*	G*VM960805DXB*	33,600	26,200	11.5	14.0	1,210	5696698
CHPF3642D6C*	G*VM961005DXB*	33,600	26,200	11.5	14.0	1,210	5696702	
CHPF3642D6C*+EEP		34,000	26,400	11.0	13.0	1,200	5696615	
GSX13 0421B*	ARPT42D14A*		40,000	30,600	13.0	11.0	1,280	5360115
	ARPT48D14A*		40,500	31,000	13.5	11.5	1,280	5378541
	ARUF42C14A*		39,500	30,200	13.0	11.0	1,280	5360116
	ARUF42C14A*+TXV		39,500	30,200	13.0	11.0	1,280	5378539
	ARUF48D14A*		39,500	30,200	13.0	11.0	1,350	5378540
	ASPF426016E*		41,000	31,400	14.0	11.5	1,400	4358244
	ASUF49C14A*		39,500	30,000	13.5	11.5	1,310	5620421
	ASUF49C14A*+TXV		39,500	29,200	13.8	11.7	1,310	5620404
	AVPTC426014A*		41,000	31,400	14.0	11.5	1,475	4431266
	CA*F3642*6D*	G*E80805C*B*	40,000	30,600	13.0	11.3	1,350	5038971
	CA*F3642*6D*+EEP		40,000	30,600	13.0	11.0	1,400	4946292
	CA*F3642*6D*+EEP+TXV		40,000	30,600	13.0	11.0	1,400	5561917
	CA*F3743*6D*	G*E80805C*B*	40,000	30,600	13.0	11.3	1,350	5039232
	CA*F3743*6D*+EEP		40,000	30,600	13.0	11.0	1,400	4415025
	CA*F4860*6D*	A*VC950714CXA*	41,000	31,400	14.0	11.5	1,400	4586383
	CA*F4860*6D*	A*VC950915DXA*	41,000	31,400	14.0	11.5	1,400	4594597
	CA*F4860*6D*	A*VM960604CXA*	41,000	31,400	14.0	11.5	1,400	4652948
	CA*F4860*6D*	G*E80805C*B*	41,000	31,400	13.5	11.5	1,510	5039124
	CA*F4860*6D*	G*VC950714CXA*	41,000	31,400	14.0	11.5	1,400	4202116
	CA*F4860*6D*	G*VC950905CXA*	41,000	31,400	14.0	11.5	1,400	4201263
CA*F4860*6D*	G*VC950905DXA*	41,000	31,400	14.0	11.5	1,400	3880198	

See Notes on Page 22.

AHRI RATINGS (CONT.)

OUTDOOR UNIT	INDOOR UNITS		COOLING RATINGS				CFM	AHRI #
	COILS/AIR HANDLERS	FURNACES	TOTAL ¹	SENS. ¹	SEER ²	EER ³		
GSX13 0421B* (cont.)	CA*F4860*6D*	G*VC950915DXA*	41,000	31,400	14.0	11.5	1,400	4201717
	CA*F4860*6D*	G*VC951155DXA*	41,000	31,400	14.0	11.5	1,400	3880199
	CA*F4860*6D*	G*VM960604CXA*	41,000	31,400	14.0	11.5	1,400	4652945
	CA*F4860*6D*	G*VM960805CXA*	41,000	31,400	14.0	11.5	1,400	4652940
	CA*F4860*6D*	G*VM960805DXA*	41,000	31,400	14.0	11.5	1,400	4652957
	CA*F4860*6D*	G*VM961005DXA*	41,000	31,400	14.0	11.5	1,400	4652931
	CA*F4860*6D*	G*VM961155DXA*	41,000	31,400	14.0	11.5	1,400	4652922
	CA*F4860*6D*	GME950805CXA*	40,500	31,000	14.0	11.3	1,400	4703730
	CA*F4860*6D*	GME951005DXA*	40,500	31,000	13.5	11.0	1,440	4703539
	CA*F4860*6D*+EEP		41,000	31,400	13.0	11.0	1,400	3880267
	CA*F4860*6D*+MBVC1600**-1A*		41,000	31,400	14.0	11.5	1,400	3880314
	CA*F4961*6D*+EEP		41,000	31,400	13.0	11.0	1,400	4887677
	CHPF3642C6C*	G*E80805C*B*	40,000	30,600	13.0	11.3	1,350	5039027
	CHPF3642C6C*+EEP		40,000	30,600	13.0	11.0	1,400	3539875
	CHPF3642D6C*	A*VM960604CXA*	40,000	30,600	13.5	11.3	1,400	4652879
	CHPF3642D6C*	G*VC91155DXA*	40,000	30,600	13.5	11.3	1,400	3597929
	CHPF3642D6C*	G*VC950905CXA*	40,000	30,600	13.5	11.3	1,400	4201265
	CHPF3642D6C*	G*VC950905DXA*	40,000	30,600	13.5	11.3	1,400	3598631
	CHPF3642D6C*	G*VM960604CXA*	40,000	30,600	13.5	11.3	1,400	4652877
	CHPF3642D6C*	G*VM960805CXA*	40,000	30,600	13.5	11.3	1,400	4652868
	CHPF3642D6C*	G*VM960805DXA*	40,000	30,600	13.5	11.3	1,400	4652911
	CHPF3642D6C*+EEP		40,000	30,600	13.0	11.0	1,400	3539877
	CHPF4860D6D*	A*VM960604CXA*	41,000	31,400	14.0	11.5	1,400	4652950
	CHPF4860D6D*	G*E80805C*B*	41,000	31,400	13.5	11.5	1,510	5038972
	CHPF4860D6D*	G*VC950905CXA*	41,000	31,400	14.0	11.5	1,400	4201267
	CHPF4860D6D*	G*VC950905DXA*	41,000	31,400	14.0	11.5	1,400	3598648
	CHPF4860D6D*	G*VC951155DXA*	41,000	31,400	14.0	11.5	1,400	3598876
	CHPF4860D6D*	G*VM960604CXA*	41,000	31,400	14.0	11.5	1,400	4652952
	CHPF4860D6D*	G*VM960805CXA*	41,000	31,400	14.0	11.5	1,400	4652942
	CHPF4860D6D*	G*VM960805DXA*	41,000	31,400	14.0	11.5	1,400	4652959
	CHPF4860D6D*	G*VM961005DXA*	41,000	31,400	14.0	11.5	1,400	4652934
	CHPF4860D6D*	G*VM961155DXA*	41,000	31,400	14.0	11.5	1,400	4652925
	CHPF4860D6D*	GME950805CXA*	40,500	31,000	14.0	11.3	1,400	4703732
	CHPF4860D6D*	GME951005DXA*	40,500	31,000	13.5	11.0	1,440	4703542
	CHPF4860D6D*+EEP		41,000	31,400	13.0	11.0	1,400	3539879
	CHPF4860D6D*+MBVC1600**-1A*		41,000	31,400	14.0	11.5	1,400	3609448
	CSCF3642N6D*+EEP		40,000	30,600	13.0	11.0	1,325	4767422
	CSCF4860N6D*	G*VC950905CXA*	41,000	31,400	13.5	11.3	1,450	4767424
	CSCF4860N6D*	G*VC951155DXA*	41,000	31,400	13.5	11.3	1,425	4767425
	CSCF4860N6D*+EEP		41,000	31,400	13.0	11.0	1,325	4767426

¹ BTU/h
² Seasonal Energy Efficiency Ratio; Certified per AHRI 210/240 @ 80°F/ 67°F/ 95°F
³ Energy Efficiency Ratio @ 80°F/ 67°F/ 95°F

NOTES

- Always check the S&R plate for electrical data on the unit being installed.
- When matching outdoor unit to indoor unit, use the piston supplied with the outdoor unit or that specified on the piston kit chart supplied with the indoor unit.
- EEP - Order from Service Dept. Part No. B13707-38 or new Solid State Board B13707-35S. Part No. B13707-38 is not interchangeable with B13707-35S. The Goodman Gas Furnace contains the EEP cooling time delay

AHRI RATINGS (CONT.)

OUTDOOR UNIT	INDOOR UNITS		COOLING RATINGS				CFM	AHRI #
	COILS/AIR HANDLERS	FURNACES	TOTAL ¹	SENS. ¹	SEER ²	EER ³		
GSX13 0481B*	AR*F486016C*		46,000	35,200	13.0	11.0	1,600	3896049
	AR*F496116C*		46,000	35,200	13.0	11.0	1,600	4358286
	ARPT48D14A*		46,000	35,200	13.5	11.0	1,475	5360117
	ARPT60D14A*		46,000	35,200	13.5	11.0	1,500	5360118
	ARUF48D14A*		44,500	34,200	13.0	11.0	1,550	5360119
	ARUF48D14A*+TXV		44,500	34,200	13.0	11.0	1,550	5378542
	ARUF60D14A*		44,500	34,200	13.0	11.0	1,460	5360120
	ARUF60D14A*+TXV		44,500	34,200	13.0	11.0	1,460	5378543
	ASPF426016E*		46,000	35,200	14.0	11.3	1,600	4358246
	ASUF49C14A*		43,000	32,600	13.0	11.0	1,435	5620405
	ASUF49C14A*+TXV		43,000	31,800	13.3	11.0	1,435	5620406
	AVPTC426014A*		46,000	35,200	14.0	11.3	1,575	4431271
	CA*F4860*6D*+EEP		46,000	35,200	13.0	11.0	1,600	4214133
	CA*F4860*6D*+MBVC2000**-1A*		46,000	35,200	14.0	11.3	1,600	3880321
	CA*F4860*6D*+TXV	A*VC950714CXA*	46,000	35,200	14.0	11.3	1,620	4586388
	CA*F4860*6D*+TXV	A*VC950915DXA*	46,000	35,200	14.0	11.3	1,620	4594604
	CA*F4860*6D*+TXV	A*VM960604CXA*	46,000	35,200	14.0	11.3	1,620	4653082
	CA*F4860*6D*+TXV	G*E80805C*B*	46,000	35,200	13.5	11.3	1,650	5039233
	CA*F4860*6D*+TXV	G*E81005C*B*	46,000	35,200	13.5	11.3	1,570	5039261
	CA*F4860*6D*+TXV	G*VC950714CXA*	46,000	35,200	14.0	11.3	1,620	4202155
	CA*F4860*6D*+TXV	G*VC950905CXA*	46,000	35,200	14.0	11.3	1,620	4201277
	CA*F4860*6D*+TXV	G*VC950905DXA*	46,000	35,200	14.0	11.3	1,620	3880484
	CA*F4860*6D*+TXV	G*VC950915DXA*	46,000	35,200	14.0	11.3	1,620	4201737
	CA*F4860*6D*+TXV	G*VC951155DXA*	46,000	35,200	14.0	11.3	1,620	3880485
	CA*F4860*6D*+TXV	G*VM960604CXA*	46,000	35,200	14.0	11.3	1,620	4653080
	CA*F4860*6D*+TXV	G*VM960805CXA*	46,000	35,200	14.0	11.3	1,620	4653068
	CA*F4860*6D*+TXV	G*VM960805DXA*	46,000	35,200	14.0	11.3	1,620	4653100
	CA*F4860*6D*+TXV	G*VM961005DXA*	46,000	35,200	14.0	11.3	1,620	4653053
	CA*F4860*6D*+TXV	G*VM961155DXA*	46,000	35,200	14.0	11.3	1,620	4653033
	CA*F4860*6D*+TXV	GME950805CXA*	45,500	34,800	14.0	11.3	1,550	4703516
	CA*F4860*6D*+TXV	GME951005DXA*	45,500	34,800	13.7	11.3	1,650	4703548
	CHPF4860D6D*+EEP		46,000	35,200	13.0	11.0	1,600	3539868
	CHPF4860D6D*+MBVC2000**-1A*		46,000	35,200	14.0	11.3	1,600	3609452
	CHPF4860D6D*+TXV	A*VM960604CXA*	46,000	35,200	14.0	11.3	1,620	4653092
	CHPF4860D6D*+TXV	G*E80805C*B*	46,000	35,200	13.5	11.3	1,650	5039110
	CHPF4860D6D*+TXV	G*E81005C*B*	46,000	35,200	13.5	11.3	1,570	5038912
	CHPF4860D6D*+TXV	G*VC950905CXA*	46,000	35,200	14.0	11.3	1,620	4201279
	CHPF4860D6D*+TXV	G*VC950905DXA*	46,000	35,200	14.0	11.3	1,620	3598696
	CHPF4860D6D*+TXV	G*VC951155DXA*	46,000	35,200	14.0	11.3	1,620	3598928
	CHPF4860D6D*+TXV	G*VM960604CXA*	46,000	35,200	14.0	11.3	1,620	4653093
	CHPF4860D6D*+TXV	G*VM960805CXA*	46,000	35,200	14.0	11.3	1,620	4653074
	CHPF4860D6D*+TXV	G*VM960805DXA*	46,000	35,200	14.0	11.3	1,620	4653105
CHPF4860D6D*+TXV	G*VM961005DXA*	46,000	35,200	14.0	11.3	1,620	4653058	
CHPF4860D6D*+TXV	G*VM961155DXA*	46,000	35,200	14.0	11.3	1,620	4653038	
CHPF4860D6D*+TXV	GME950805CXA*	45,500	34,800	14.0	11.3	1,550	4703518	
CHPF4860D6D*+TXV	GME951005DXA*	45,500	34,800	13.7	11.3	1,650	4703552	
CSCF4860N6D*+EEP		46,000	35,200	13.0	11.0	1,600	4767427	
CSCF4860N6D*+TXV	G*VC950905CXA*	46,000	35,200	14.0	11.3	1,575	4767430	
CSCF4860N6D*+TXV	G*VC950905DXA*	46,000	35,200	14.0	11.3	1,575	4767431	
CSCF4860N6D*+TXV	G*VC951155DXA*	46,000	35,200	14.0	11.3	1,550	4767432	

See Notes on Page 28.

AHRI RATINGS (CONT.)

OUTDOOR UNIT	INDOOR UNITS		COOLING RATINGS				CFM	AHRI #
	COILS/AIR HANDLERS	FURNACES	TOTAL ¹	SENS. ¹	SEER ²	EER ³		
GSX13 0601B*	ASPF426016E*		57,500	41,000	13.4	11.3	1,800	4358292
	ASUF59D14A*		54,000	38,500	13.0	11.0	1,580	5600192
	AVPTC426014A*		57,500	41,000	13.4	11.3	1,800	4431282
	CA*F4961*6D*+EEP		57,000	40,500	13.0	11.0	1,750	4945868
	CA*F4961*6D*+MBVC2000**-1A*		57,500	41,000	13.5	11.5	1,790	4431670
	CA*F4961*6D*+MBVC2000**-1A*+TXV		57,500	41,000	13.5	11.5	1,790	4431671
	CA*F4961*6D*+TXV	A*VC80805C*B*	57,000	40,500	13.3	11.2	1,800	5039235
	CA*F4961*6D*+TXV	A*VC81005C*B*	57,000	40,500	13.3	11.2	1,800	5039112
	CA*F4961*6D*+TXV	A*VC950714CXA*	56,500	40,000	13.0	11.0	1,700	4586392
	CA*F4961*6D*+TXV	A*VC950915DXA*	56,500	40,000	13.0	11.0	1,700	4594610
	CA*F4961*6D*+TXV	G*E80805C*B*	56,000	40,000	13.3	11.2	1,650	5038979
	CA*F4961*6D*+TXV	G*E81005C*B*	56,500	40,000	13.3	11.2	1,720	5038893
	CA*F4961*6D*+TXV	G*VC80805C*B*	57,000	40,500	13.3	11.2	1,800	5039111
	CA*F4961*6D*+TXV	G*VC81005C*B*	57,000	40,500	13.3	11.2	1,800	5038945
	CA*F4961*6D*+TXV	G*VC950714CXA*	56,500	40,000	13.0	11.0	1,700	4431758
	CA*F4961*6D*+TXV	G*VC950905CXA*	56,500	40,000	13.0	11.0	1,700	4431759
	CA*F4961*6D*+TXV	G*VC950905DXA*	56,500	40,000	13.0	11.0	1,700	4431760
	CA*F4961*6D*+TXV	G*VC950915DXA*	56,500	40,000	13.0	11.0	1,700	4431761
	CA*F4961*6D*+TXV	G*VC951155DXA*	56,000	40,000	13.4	11.2	1,620	4431762
	CA*F4961*6D*+TXV	G*VM960805CXA*	56,500	40,000	13.0	11.0	1,700	4653273
	CA*F4961*6D*+TXV	G*VM960805DXA*	56,500	40,000	13.0	11.0	1,700	4653289
	CA*F4961*6D*+TXV	G*VM961005DXA*	56,000	40,000	13.4	11.2	1,620	4653199
	CA*F4961*6D*+TXV	G*VM961155DXA*	56,000	40,000	13.4	11.2	1,620	4653171
	CAPT4961*4A*	A*VC950714CXA*	56,500	40,000	13.0	11.0	1,600	5520631
	CAPT4961*4A*	A*VC950915DXA*	56,500	40,000	13.0	11.0	1,660	5520632
	CAPT4961*4A*	G*VC950714CXA*	56,500	40,000	13.0	11.0	1,600	5520640
	CAPT4961*4A*	G*VC950905CXA*	56,500	40,000	13.0	11.0	1,625	5520641
	CAPT4961*4A*	G*VC950905DXA*	56,500	40,000	13.0	11.0	1,625	5520642
	CAPT4961*4A*	G*VC950915DXA*	56,500	40,000	13.0	11.0	1,660	5520643
	CAPT4961*4A*	G*VM960805CXA*	56,500	40,000	13.0	11.0	1,600	5520646
	CAPT4961*4A*	G*VM960805DXA*	56,500	40,000	13.0	11.0	1,600	5520647
	CAPT4961*4A*+MBVC2000**-1A*		57,500	41,000	13.5	11.5	1,625	5527435
	CHPF4860D6D*+EEP+TXV		57,000	40,500	13.0	11.0	1,500	5604754
	CHPF4860D6D*+TXV	A*VC80805C*B*	57,000	40,500	13.0	11.0	1,800	5038849
	CHPF4860D6D*+TXV	A*VC81005C*B*	57,000	40,500	13.0	11.0	1,800	5039148
	CHPF4860D6D*+TXV	G*E80805C*B*	56,000	40,000	13.3	11.2	1,650	5039181
	CHPF4860D6D*+TXV	G*E81005C*B*	56,500	40,000	13.3	11.2	1,720	5039194
	CHPF4860D6D*+TXV	G*VC80805C*B*	57,000	40,500	13.0	11.0	1,800	5038946
	CHPF4860D6D*+TXV	G*VC81005C*B*	57,000	40,500	13.0	11.0	1,800	5038848
	CHPF4860D6D*+TXV	G*VC950905CXA*	56,500	40,000	13.0	11.0	1,700	4201283
	CHPF4860D6D*+TXV	G*VC950905DXA*	57,000	40,500	13.2	11.0	1,700	3688583
	CHPF4860D6D*+TXV	G*VC951155DXA*	56,500	40,000	13.0	11.0	1,620	3688584
	CHPF4860D6D*+TXV	G*VM960805CXA*	56,500	40,000	13.0	11.0	1,700	4653275
	CHPF4860D6D*+TXV	G*VM960805DXA*	57,000	40,500	13.2	11.0	1,700	4653306
	CHPF4860D6D*+TXV	G*VM961005DXA*	56,500	40,000	13.0	11.0	1,620	4653262
	CHPF4860D6D*+TXV	G*VM961155DXA*	56,500	40,000	13.4	11.3	1,620	4653256
	CSCF4860N6D*+EEP		55,500	39,500	13.0	11.0	1,600	5446159
CSCF4860N6D*+MBVC2000**-1A*		55,000	39,000	13.5	11.5	1,825	4767698	

See Notes on Page 28.

AHRI RATINGS (CONT.)

OUTDOOR UNIT	INDOOR UNITS		COOLING RATINGS				CFM	AHRI #
	COILS/AIR HANDLERS	FURNACES	TOTAL ¹	SENS. ¹	SEER ²	EER ³		
GSX13 0611A*	ARPT48D14A*		54,500	38,500	13.0	11.0	1,500	5586528
	ARPT60D14A*		55,000	39,000	13.0	11.0	1,500	5586693
	ARUF48D14A*		54,500	38,500	13.0	11.0	1,500	5586531
	ARUF60D14A*		55,000	39,000	13.0	11.0	1,500	5586696
	ASPF426016E*		56,000	40,000	13.5	11.5	1,500	5586699
	ASUF49C14A*		51,500	36,400	13.0	11.0	1,435	5620411
	ASUF49C14A*+TXV		51,500	36,400	13.2	11.0	1,435	5620412
	ASUF59D14A*		56,000	40,000	13.5	11.0	1,580	5600189
	AVPTC426014A*		56,000	40,000	14.0	11.5	1,600	5586702
	CA*F4860*6D*+EEP		55,000	39,000	13.0	11.0	1,500	5586534
	CA*F4860*6D*+MBVC2000**-1A*		56,000	40,000	13.5	11.5	1,575	5586537
	CA*F4860*6D*+MBVC2000**-1A*+TXV		56,000	40,000	14.0	11.5	1,575	5586540
	CA*F4860*6D*+TXV	A*VC80805C*B*	55,500	39,500	13.5	11.0	1,520	5586705
	CA*F4860*6D*+TXV	A*VC81005C*B*	55,500	39,500	13.5	11.0	1,520	5586543
	CA*F4860*6D*+TXV	A*VC950905CXA*	55,500	39,500	13.0	11.0	1,460	5586708
	CA*F4860*6D*+TXV	A*VC950905DXA*	55,500	39,500	13.5	11.0	1,460	5586711
	CA*F4860*6D*+TXV	A*VC950915DXA*	55,000	39,000	13.0	11.0	1,575	5590007
	CA*F4860*6D*+TXV	A*VC951155DXA*	55,000	39,000	13.0	11.0	1,550	5586546
	CA*F4860*6D*+TXV	A*VM960805CXA*	55,500	39,500	13.0	11.0	1,460	5586549
	CA*F4860*6D*+TXV	A*VM960805DXA*	55,500	39,500	13.0	11.0	1,460	5589864
	CA*F4860*6D*+TXV	A*VM961005DXA*	55,000	39,000	13.5	11.0	1,550	5586552
	CA*F4860*6D*+TXV	A*VM961155DXA*	55,000	39,000	13.5	11.0	1,550	5586555
	CA*F4860*6D*+TXV	ADVC80805C*B*	55,500	39,500	13.0	11.0	1,500	5586558
	CA*F4860*6D*+TXV	ADVC81005C*B*	55,500	39,500	13.0	11.0	1,550	5586714
	CA*F4860*6D*+TXV	G*E80805C*B*	55,500	39,500	13.0	11.0	1,550	5586561
	CA*F4860*6D*+TXV	G*E81005C*B*	55,000	39,000	13.5	11.0	1,525	5586717
	CA*F4860*6D*+TXV	G*VC80805C*B*	55,500	39,500	13.5	11.0	1,520	5586720
	CA*F4860*6D*+TXV	G*VC81005C*B*	55,500	39,500	13.5	11.0	1,520	5586564
	CA*F4860*6D*+TXV	G*VC950905CXA*	55,500	39,500	13.0	11.0	1,460	5586723
	CA*F4860*6D*+TXV	G*VC950905DXA*	55,500	39,500	13.5	11.0	1,460	5586726
	CA*F4860*6D*+TXV	G*VC950915DXA*	55,000	39,000	13.0	11.0	1,575	5590010
	CA*F4860*6D*+TXV	G*VC951155DXA*	55,000	39,000	13.0	11.0	1,550	5586567
	CA*F4860*6D*+TXV	G*VM960805CXA*	55,500	39,500	13.0	11.0	1,460	5586570
	CA*F4860*6D*+TXV	G*VM960805DXA*	55,500	39,500	13.0	11.0	1,460	5589867
	CA*F4860*6D*+TXV	G*VM961005DXA*	55,000	39,000	13.5	11.0	1,550	5586573
	CA*F4860*6D*+TXV	G*VM961155DXA*	55,000	39,000	13.5	11.0	1,550	5589870
	CA*F4860*6D*+TXV	GME950805CXA*	55,000	39,000	13.0	11.0	1,475	5586576
	CA*F4860*6D*+TXV	GME951005DXA*	55,000	39,000	13.5	11.0	1,500	5586579
	CA*F4961*6D*+EEP		56,500	40,000	13.0	11.0	1,500	5586582
	CA*F4961*6D*+MBVC2000**-1A*		57,000	40,500	14.0	11.5	1,575	5586856
	CA*F4961*6D*+MBVC2000**-1A*+TXV		57,000	40,500	14.5	12.0	1,575	5586585
	CA*F4961*6D*+TXV	A*VC80805C*B*	56,500	40,000	14.0	11.5	1,520	5586588
CA*F4961*6D*+TXV	A*VC81005C*B*	56,500	40,000	14.0	11.5	1,520	5586591	
CA*F4961*6D*+TXV	A*VC950905CXA*	56,500	40,000	13.5	11.0	1,460	5586594	
CA*F4961*6D*+TXV	A*VC950905DXA*	56,500	40,000	14.0	11.5	1,460	5586859	
CA*F4961*6D*+TXV	A*VC950915DXA*	56,000	40,000	13.5	11.0	1,575	5590013	
CA*F4961*6D*+TXV	A*VC951155DXA*	56,000	40,000	14.0	11.5	1,550	5586729	

See Notes on Page 28.

AHRI RATINGS (CONT.)

OUTDOOR UNIT	INDOOR UNITS		COOLING RATINGS				CFM	AHRI #
	COILS/AIR HANDLERS	FURNACES	TOTAL ¹	SENS. ¹	SEER ²	EER ³		
GSX13 0611A* (cont.)	CA*F4961*6D*+TXV	A*VM960805CXA*	56,500	40,000	13.5	11.0	1,460	5586597
	CA*F4961*6D*+TXV	A*VM960805DXA*	56,500	40,000	13.5	11.0	1,460	5589873
	CA*F4961*6D*+TXV	A*VM961005DXA*	56,000	40,000	14.0	11.5	1,550	5586732
	CA*F4961*6D*+TXV	A*VM961155DXA*	56,000	40,000	14.0	11.5	1,550	5586735
	CA*F4961*6D*+TXV	ADVC80805C*B*	57,000	40,500	13.5	11.0	1,500	5586600
	CA*F4961*6D*+TXV	ADVC81005C*B*	57,000	40,500	13.5	11.0	1,550	5586603
	CA*F4961*6D*+TXV	G*E80805C*B*	56,000	40,000	14.0	11.5	1,550	5586606
	CA*F4961*6D*+TXV	G*E81005C*B*	56,000	40,000	14.0	11.5	1,525	5586609
	CA*F4961*6D*+TXV	G*VC80805C*B*	56,500	40,000	14.0	11.5	1,520	5586612
	CA*F4961*6D*+TXV	G*VC81005C*B*	56,500	40,000	14.0	11.5	1,520	5586615
	CA*F4961*6D*+TXV	G*VC91155DXA*	56,000	40,000	13.0	11.0	1,550	5593112
	CA*F4961*6D*+TXV	G*VC950905CXA*	56,500	40,000	13.5	11.0	1,460	5586618
	CA*F4961*6D*+TXV	G*VC950905DXA*	56,500	40,000	14.0	11.5	1,460	5586738
	CA*F4961*6D*+TXV	G*VC950915DXA*	56,000	40,000	13.5	11.0	1,575	5590016
	CA*F4961*6D*+TXV	G*VC951155DXA*	56,000	40,000	14.0	11.5	1,550	5586741
	CA*F4961*6D*+TXV	G*VM960805CXA*	56,500	40,000	13.5	11.0	1,460	5586621
	CA*F4961*6D*+TXV	G*VM960805DXA*	56,500	40,000	13.5	11.0	1,460	5589876
	CA*F4961*6D*+TXV	G*VM961005DXA*	56,000	40,000	14.0	11.5	1,550	5586745
	CA*F4961*6D*+TXV	G*VM961155DXA*	56,000	40,000	13.5	11.0	1,550	5589879
	CA*F4961*6D*+TXV	GME950805CXA*	56,000	40,000	13.5	11.0	1,475	5586624
	CA*F4961*6D*+TXV	GME951005DXA*	56,000	40,000	14.0	11.5	1,500	5586627
	CAPT4961*4A*	A*VC80805C*B*	56,500	40,000	14.0	11.5	1,520	5586630
	CAPT4961*4A*	A*VC81005C*B*	56,500	40,000	14.0	11.5	1,520	5586633
	CAPT4961*4A*	A*VC950905CXA*	56,500	40,000	13.5	11.0	1,460	5586636
	CAPT4961*4A*	A*VC950905DXA*	56,500	40,000	14.0	11.5	1,460	5586748
	CAPT4961*4A*	A*VC950915DXA*	56,000	40,000	13.5	11.0	1,575	5590019
	CAPT4961*4A*	A*VC951155DXA*	56,000	40,000	14.0	11.5	1,550	5586751
	CAPT4961*4A*	A*VM960805CXA*	56,500	40,000	13.5	11.0	1,460	5586639
	CAPT4961*4A*	A*VM960805DXA*	56,500	40,000	13.5	11.0	1,460	5589882
	CAPT4961*4A*	A*VM961005DXA*	56,000	40,000	14.0	11.5	1,550	5586754
	CAPT4961*4A*	A*VM961155DXA*	56,000	40,000	14.0	11.5	1,550	5586757
	CAPT4961*4A*	ADVC80805C*B*	57,000	40,500	13.5	11.0	1,500	5586642
	CAPT4961*4A*	ADVC81005C*B*	57,000	40,500	13.5	11.0	1,550	5586645
	CAPT4961*4A*	G*E80805C*B*	56,000	40,000	14.0	11.5	1,550	5586648
	CAPT4961*4A*	G*E81005C*B*	56,000	40,000	14.0	11.5	1,525	5586651
	CAPT4961*4A*	G*VC80805C*B*	56,500	40,000	14.0	11.5	1,520	5586654
	CAPT4961*4A*	G*VC81005C*B*	56,500	40,000	14.0	11.5	1,520	5586657
	CAPT4961*4A*	G*VC91155DXA*	56,000	40,000	13.5	11.0	1,550	5593115
	CAPT4961*4A*	G*VC950905CXA*	56,500	40,000	13.5	11.0	1,460	5586660
	CAPT4961*4A*	G*VC950905DXA*	56,500	40,000	14.0	11.5	1,460	5586760
	CAPT4961*4A*	G*VC950915DXA*	56,000	40,000	13.5	11.0	1,575	5590022
	CAPT4961*4A*	G*VC951155DXA*	56,000	40,000	14.0	11.5	1,550	5586763
CAPT4961*4A*	G*VM960805CXA*	56,500	40,000	13.5	11.0	1,460	5586663	
CAPT4961*4A*	G*VM960805DXA*	56,500	40,000	13.5	11.0	1,460	5589885	
CAPT4961*4A*	G*VM961005DXA*	56,000	40,000	14.0	11.5	1,550	5586767	
CAPT4961*4A*	G*VM961155DXA*	56,000	40,000	13.5	11.0	1,550	5589888	
CAPT4961*4A*	GME950805CXA*	56,000	40,000	13.5	11.0	1,475	5586666	

See Notes on Page 33.

AHRI RATINGS (CONT.)

OUTDOOR UNIT	INDOOR UNITS		COOLING RATINGS				CFM	AHRI #
	COILS/AIR HANDLERS	FURNACES	TOTAL ¹	SENS. ¹	SEER ²	EER ³		
GSX13 0611A* (cont.)	CAPT4961*4A*	GME951005DXA*	56,000	40,000	14.0	11.5	1,500	5586669
	CAPT4961*4A*+EEP		56,500	40,000	13.5	11.0	1,500	5586770
	CAPT4961*4A*+MBVC2000**-1A*		57,000	40,500	14.5	12.0	1,575	5586672
	CHPF4860D6D*+EEP		56,000	40,000	13.0	11.0	1,500	5586675
	CHPF4860D6D*+MBVC2000**-1A*		57,000	40,500	14.0	11.5	1,575	5586900
	CHPF4860D6D*+MBVC2000**-1A*+TXV		57,000	40,500	14.0	11.5	1,575	5586773
	CHPF4860D6D*+TXV	A*VC80805C*B*	56,000	40,000	14.0	11.5	1,520	5586776
	CHPF4860D6D*+TXV	A*VC81005C*B*	56,500	40,000	14.0	11.5	1,520	5586779
	CHPF4860D6D*+TXV	A*VC950905CXA*	56,000	40,000	13.5	11.0	1,460	5586782
	CHPF4860D6D*+TXV	A*VC950905DXA*	56,000	40,000	14.0	11.5	1,460	5586786
	CHPF4860D6D*+TXV	A*VC950915DXA*	55,000	39,000	13.0	11.0	1,575	5590025
	CHPF4860D6D*+TXV	A*VC951155DXA*	56,000	40,000	14.0	11.5	1,550	5586789
	CHPF4860D6D*+TXV	A*VM960805CXA*	56,500	40,000	13.5	11.0	1,460	5586792
	CHPF4860D6D*+TXV	A*VM960805DXA*	55,500	39,500	13.0	11.0	1,460	5589894
	CHPF4860D6D*+TXV	A*VM961005DXA*	56,000	40,000	14.0	11.5	1,550	5586795
	CHPF4860D6D*+TXV	A*VM961155DXA*	56,000	40,000	14.0	11.5	1,550	5586799
	CHPF4860D6D*+TXV	G*E80805C*B*	56,000	40,000	14.0	11.5	1,550	5586802
	CHPF4860D6D*+TXV	G*E81005C*B*	56,000	40,000	14.0	11.5	1,525	5586805
	CHPF4860D6D*+TXV	G*VC80805C*B*	56,000	40,000	14.0	11.5	1,520	5586808
	CHPF4860D6D*+TXV	G*VC81005C*B*	56,500	40,000	14.0	11.5	1,520	5586811
	CHPF4860D6D*+TXV	G*VC91155DXA*	56,000	40,000	13.0	11.0	1,550	5593118
	CHPF4860D6D*+TXV	G*VC950905CXA*	56,000	40,000	13.5	11.0	1,460	5586814
	CHPF4860D6D*+TXV	G*VC950905DXA*	56,500	40,000	14.0	11.5	1,460	5586817
	CHPF4860D6D*+TXV	G*VC950915DXA*	55,000	39,000	13.0	11.0	1,575	5590028
	CHPF4860D6D*+TXV	G*VC951155DXA*	56,000	40,000	14.0	11.5	1,550	5586820
	CHPF4860D6D*+TXV	G*VM960805CXA*	56,500	40,000	13.5	11.0	1,460	5586823
	CHPF4860D6D*+TXV	G*VM960805DXA*	55,500	39,500	13.0	11.0	1,460	5589897
	CHPF4860D6D*+TXV	G*VM961005DXA*	56,000	40,000	14.0	11.5	1,550	5586826
	CHPF4860D6D*+TXV	G*VM961155DXA*	55,000	39,000	13.5	11.0	1,550	5589900
	CHPF4860D6D*+TXV	GME950805CXA*	56,000	40,000	13.0	11.0	1,475	5586684
	CHPF4860D6D*+TXV	GME951005DXA*	56,000	40,000	14.0	11.5	1,500	5586687
	CSCF4860N6D*+EEP		55,000	39,000	13.0	11.0	1,500	5589903
	CSCF4860N6D*+MBVC2000**-1A*		56,000	40,000	13.5	11.5	1,575	5589906
	CSCF4860N6D*+MBVC2000**-1A*+TXV		56,000	40,000	14.0	11.5	1,575	5586690
	CSCF4860N6D*+TXV	A*VC80805C*B*	56,500	40,000	13.5	11.5	1,520	5589909
	CSCF4860N6D*+TXV	A*VC81005C*B*	55,500	39,500	13.5	11.0	1,520	5589912
	CSCF4860N6D*+TXV	A*VC950905CXA*	55,000	39,000	13.5	11.0	1,475	5593103
	CSCF4860N6D*+TXV	A*VC950905DXA*	55,000	39,000	13.5	11.0	1,475	5593106
	CSCF4860N6D*+TXV	A*VC950915DXA*	55,000	39,000	13.0	11.0	1,575	5590031
	CSCF4860N6D*+TXV	A*VC951155DXA*	55,000	39,000	13.5	11.0	1,550	5593109
	CSCF4860N6D*+TXV	A*VM960805CXA*	55,500	39,500	13.0	11.0	1,460	5589915
	CSCF4860N6D*+TXV	A*VM960805DXA*	55,500	39,500	13.0	11.0	1,460	5589918
CSCF4860N6D*+TXV	A*VM961005DXA*	55,000	39,000	13.5	11.0	1,550	5589921	
CSCF4860N6D*+TXV	A*VM961155DXA*	55,000	39,000	13.5	11.0	1,550	5589924	
CSCF4860N6D*+TXV	G*E80805C*B*	54,500	38,500	13.0	11.0	1,550	5586829	
CSCF4860N6D*+TXV	G*E81005C*B*	55,500	39,500	13.5	11.0	1,525	5589933	
CSCF4860N6D*+TXV	G*VC80805C*B*	56,500	40,000	13.5	11.5	1,520	5589936	

AHRI RATINGS (CONT.)

OUTDOOR UNIT	INDOOR UNITS		COOLING RATINGS				CFM	AHRI #
	COILS/AIR HANDLERS	FURNACES	TOTAL ¹	SENS. ¹	SEER ²	EER ³		
GSX13 0611A* (cont.)	CSCF4860N6D*+TXV	G*VC81005C*B*	55,500	39,500	13.5	11.0	1,520	5589939
	CSCF4860N6D*+TXV	G*VC950915DXA*	55,000	39,000	13.0	11.0	1,575	5590034
	CSCF4860N6D*+TXV	G*VM960805CXA*	55,500	39,500	13.0	11.0	1,460	5589942
	CSCF4860N6D*+TXV	G*VM960805DXA*	55,500	39,500	13.0	11.0	1,460	5589945
	CSCF4860N6D*+TXV	G*VM961005DXA*	55,000	39,000	13.5	11.0	1,550	5589948
	CSCF4860N6D*+TXV	G*VM961155DXA*	55,000	39,000	13.5	11.0	1,550	5589951
	CSCF4860N6D*+TXV	GME950805CXA*	55,000	39,000	13.0	11.0	1,475	5589954
	CSCF4860N6D*+TXV	GME951005DXA*	55,000	39,000	13.5	11.0	1,500	5589957

¹ BTU/h

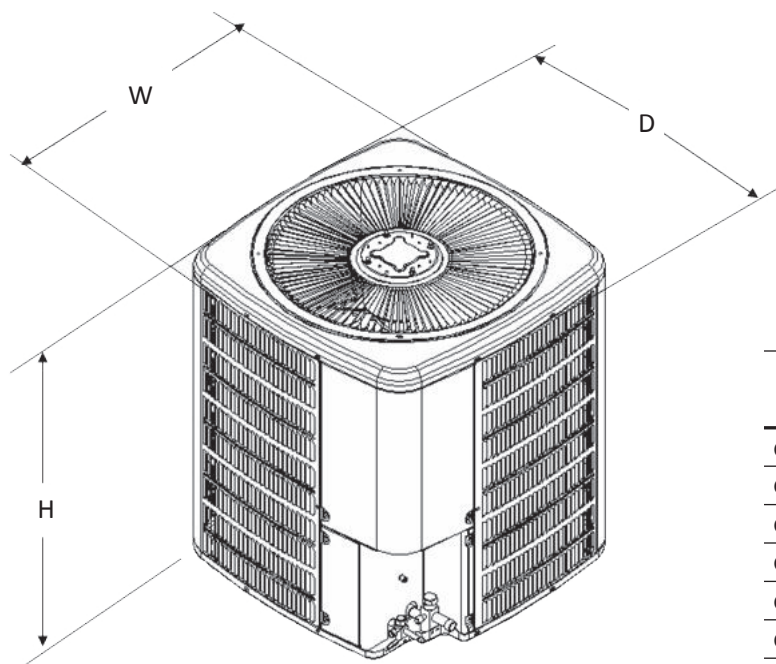
² Seasonal Energy Efficiency Ratio; Certified per AHRI 210/240 @ 80°F/ 67°F/ 95°F

³ Energy Efficiency Ratio @ 80°F/ 67°F/ 95°F

NOTES

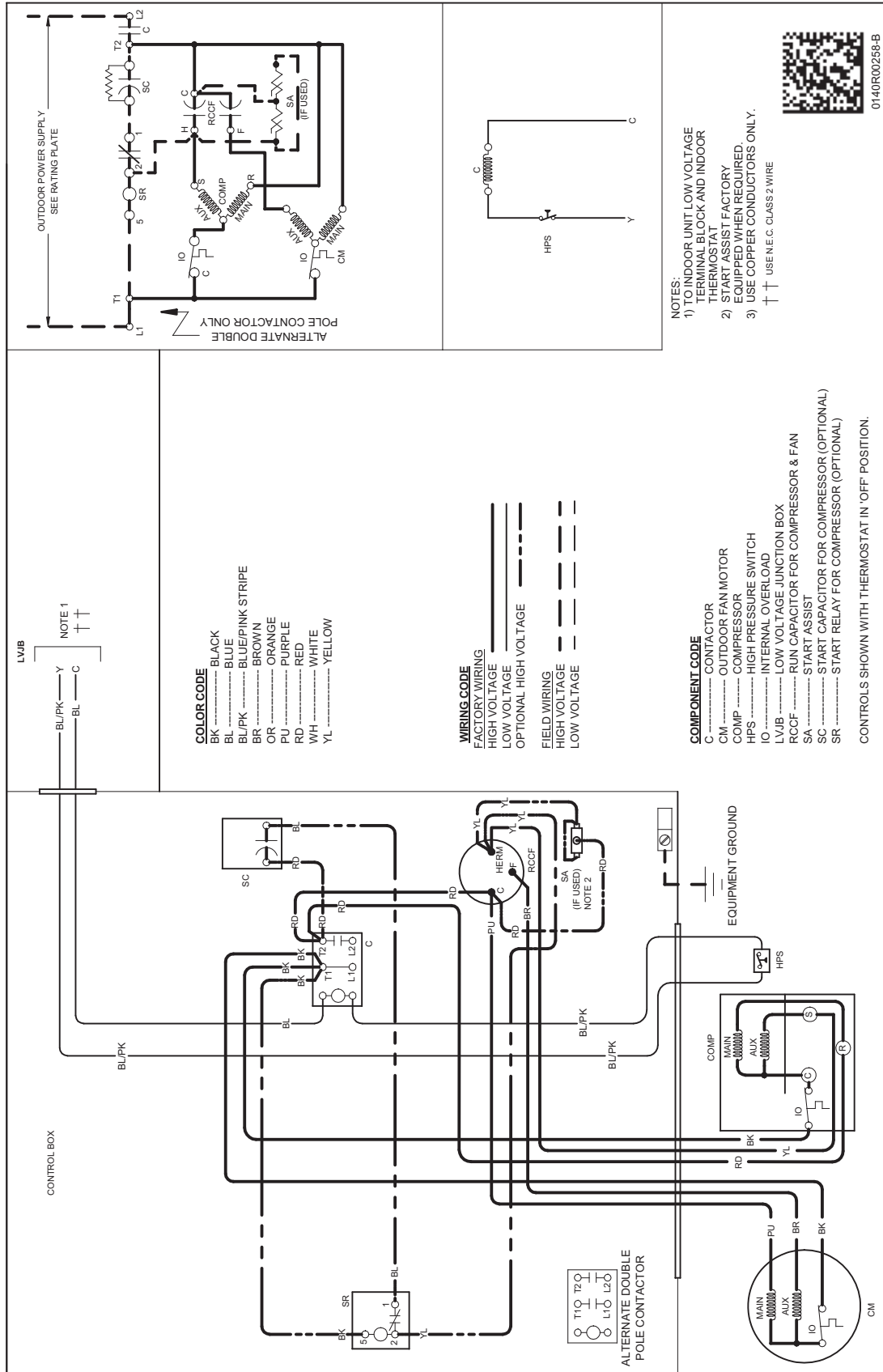
- Always check the S&R plate for electrical data on the unit being installed.
- When matching outdoor unit to indoor unit, use the piston supplied with the outdoor unit or that specified on the piston kit chart supplied with the indoor unit.
- EEP - Order from Service Dept. Part No. B13707-38 or new Solid State Board B13707-35S. Part No. B13707-38 is not interchangeable with B13707-35S. The Goodman Gas Furnace contains the EEP cooling time delay

DIMENSIONS



MODEL	DIMENSIONS		
	W"	D"	H"
GSX130181E*	23	23	25¾
GSX130241D*	23	23	25¾
GSX130301B*	26	26	27½
GSX130361C*	29	29	28¾
GSX130361E*	26	26	27½
GSX130421B*	29	29	36¾
GSX130481B*	29	29	36¾
GSX130601B*	29	29	40
GSX130611A*	35½	35½	38¾

WIRING DIAGRAM — GSX130181E

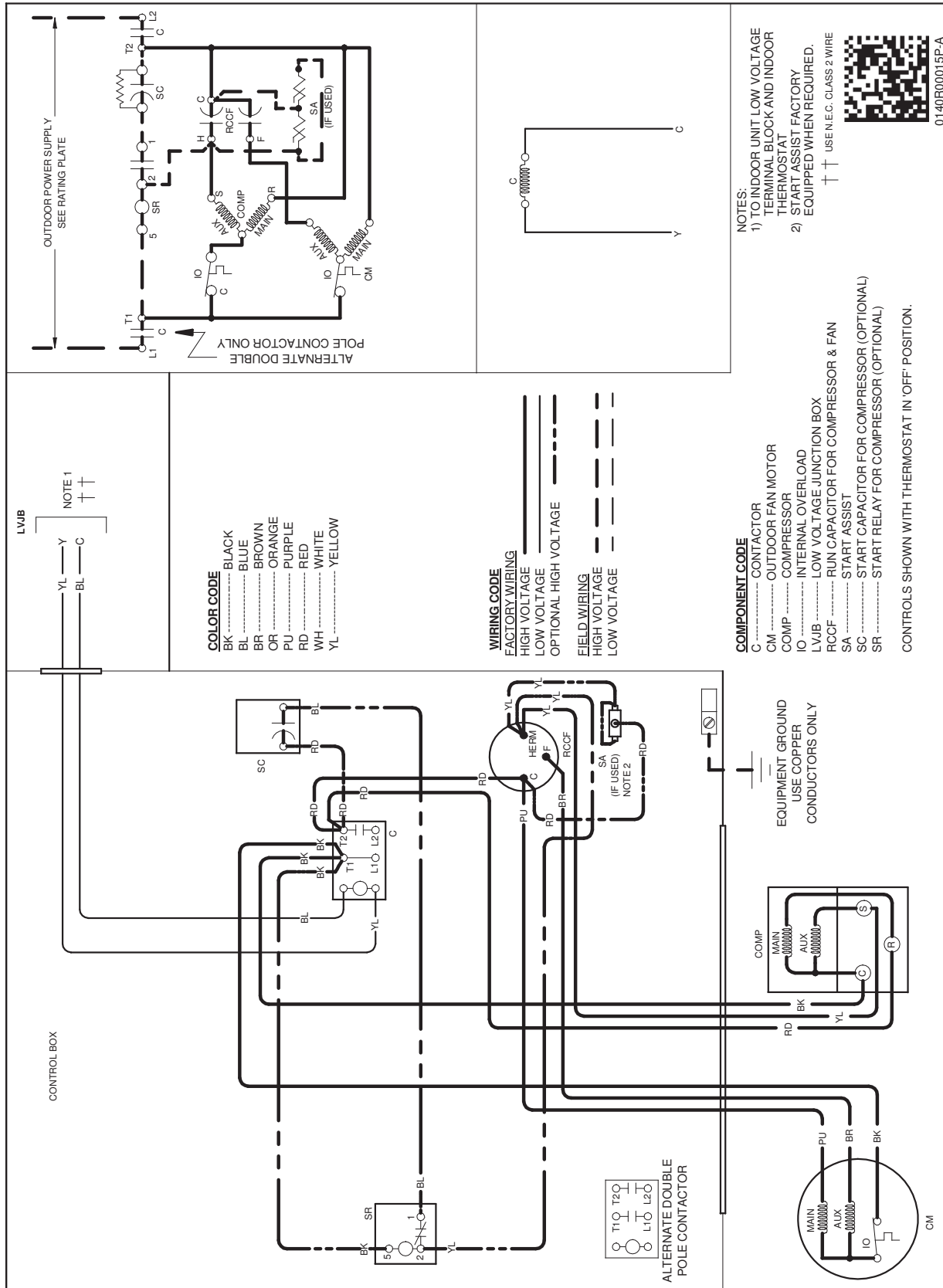


WARNING

⚡

High Voltage: Disconnect all power before servicing or installing this unit. Multiple power sources may be present. Failure to do so may cause property damage, personal injury, or death.

WIRING DIAGRAM — GSX130(30-60)1B/C/E*



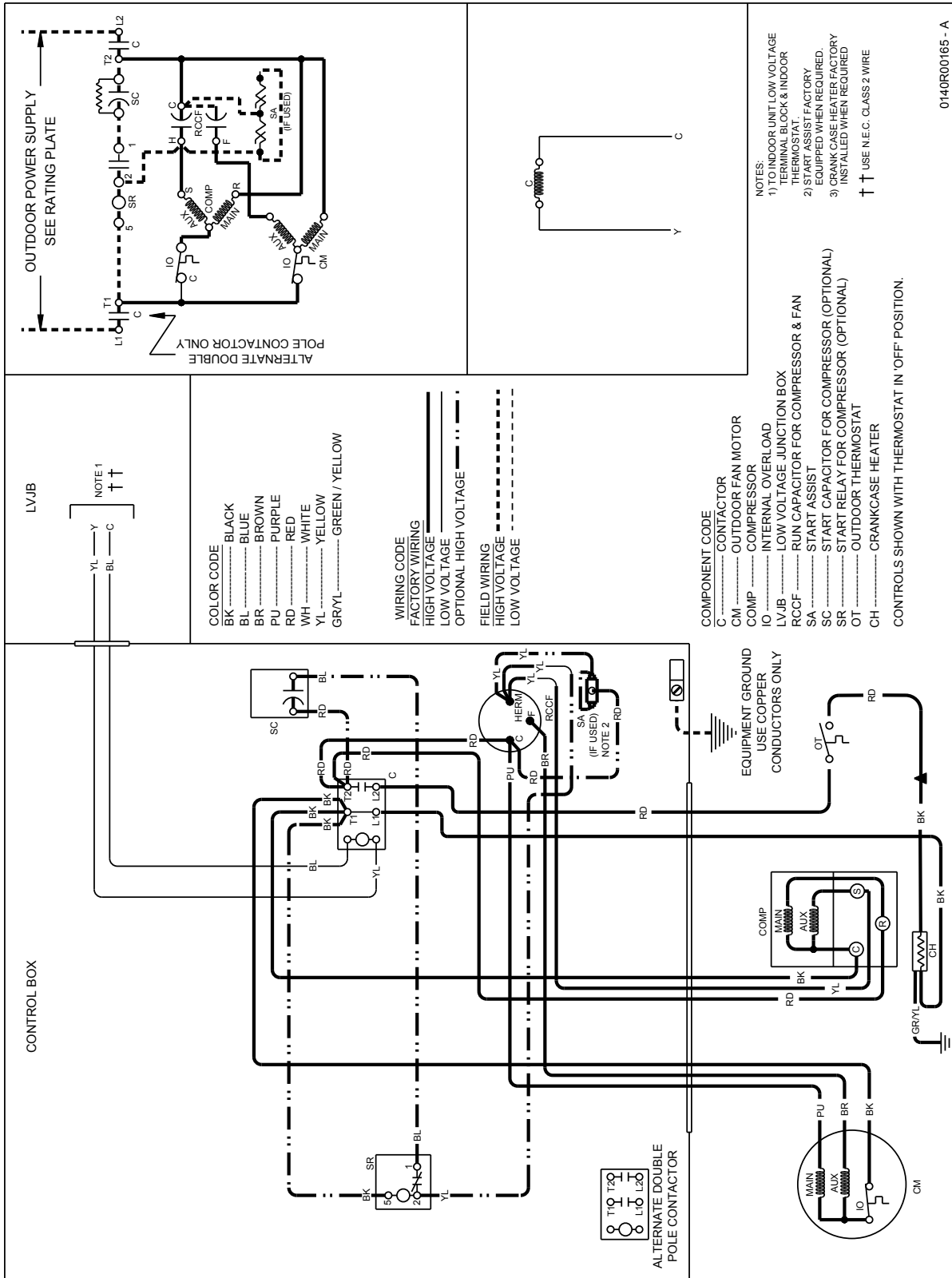
WARNING

High Voltage: Disconnect all power before servicing or installing this unit. Multiple power sources may be present. Failure to do so may cause property damage, personal injury, or death.



Wiring is subject to change. Always refer to the wiring diagram or the unit for the most up-to-date wiring.

WIRING DIAGRAM — GSX130(18-24)1D*



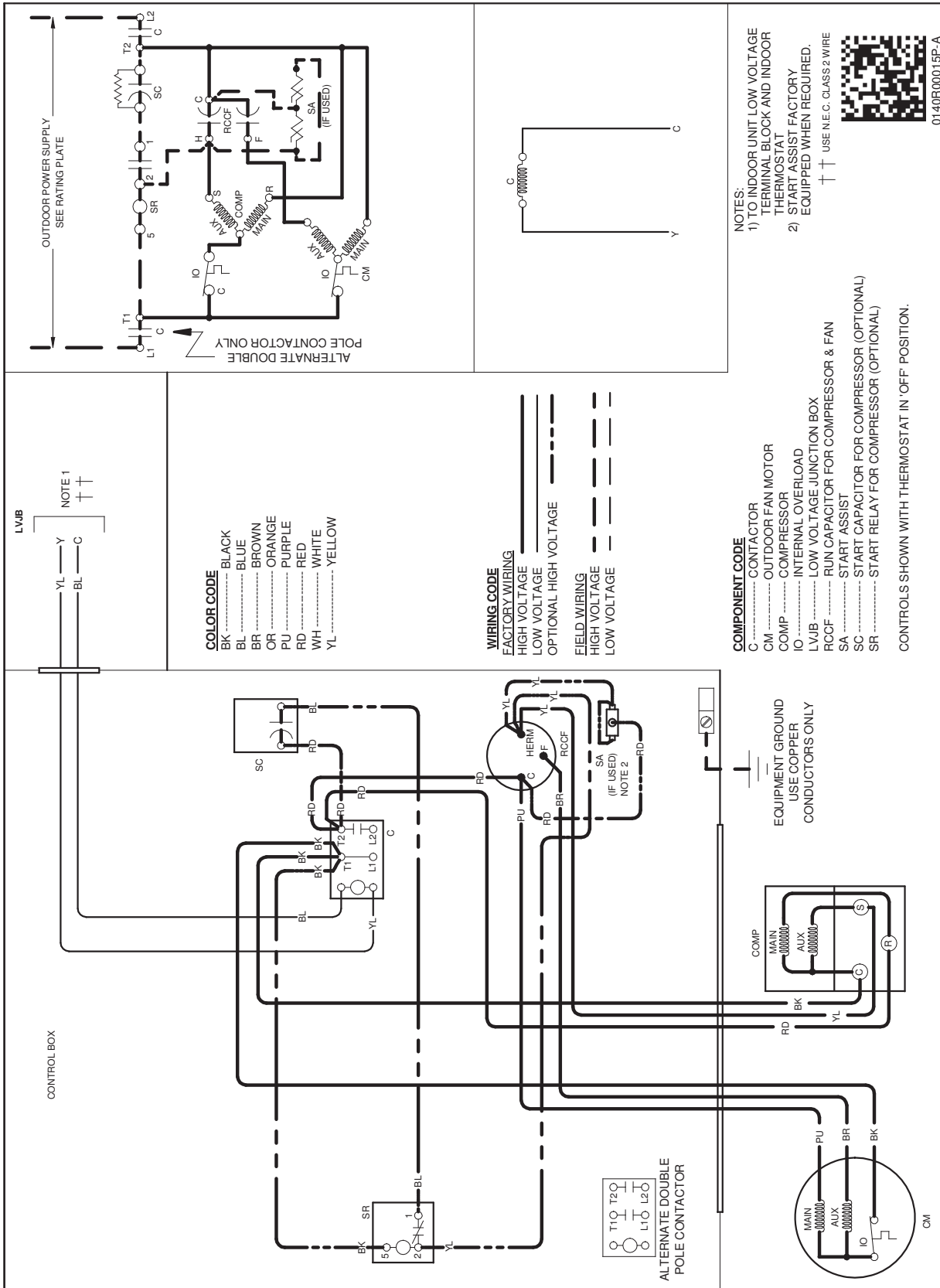
WARNING

High Voltage: Disconnect all power before servicing or installing this unit. Multiple power sources may be present. Failure to do so may cause property damage, personal injury, or death.



Wiring is subject to change. Always refer to the wiring diagram or the unit for the most up-to-date wiring.

WIRING DIAGRAM — GSX130611*



Wiring is subject to change. Always refer to the wiring diagram or the unit for the most up-to-date wiring.

WARNING

High Voltage: Disconnect all power before servicing or installing this unit. Multiple power sources may be present. Failure to do so may cause property damage, personal injury, or death.

ACCESSORIES

MODEL	DESCRIPTION	GSX13 018D*	GSX13 018E*	GSX13 024C*	GSX13 024D*	GSX13 030B*	GSX13 036**	GSX13 042B*	GSX13 048B*	GSX13 060B*	GSX13 061A*
ABK-20	Anchor Bracket Kit ^		X	X		X	X	X	X	X	X
ABK-21	Anchor Bracket Kit ^	X			X						
ASC-01	Anti-Short Cycle Kit	X	X	X	X	X	X	X	X	X	X
CSR-U-1	Hard-start Kit		X	X	X	X	X				
CSR-U-2	Hard-start Kit	X						X	X	X	X
CSR-U-3	Hard-start Kit								X	X	X
FSK01A ¹	Freeze Protection Kit	X	X	X	X	X	X	X	X	X	X
LSK02A ²	Liquid Line Solenoid Kit	X	X	X	X	X	X	X	X	X	X
TX2N4 ²	TXV Kit	X	X								
TX2N4A ²	TXV Kit	X	X	X	X						
TX3N4 ²	TXV Kit					X	X				
TX5N4 ²	TXV Kit							X	X	X	X

[^] Contains 20 brackets; four brackets needed to anchor unit to pad

¹ Installed on indoor coil

² Field-installed, non-bleed, expansion valve kit — Condensing units and heat pumps with reciprocating compressors require the use of start-assist components when used in conjunction with an indoor coil using a non-bleed thermal expansion valve refrigerant metering device or liquid line solenoid kit.

NOTES

Free Manuals Download Website

<http://myh66.com>

<http://usermanuals.us>

<http://www.somanuals.com>

<http://www.4manuals.cc>

<http://www.manual-lib.com>

<http://www.404manual.com>

<http://www.luxmanual.com>

<http://aubethermostatmanual.com>

Golf course search by state

<http://golfingnear.com>

Email search by domain

<http://emailbydomain.com>

Auto manuals search

<http://auto.somanuals.com>

TV manuals search

<http://tv.somanuals.com>