



Air Conditioning & Heating

80% AFUE

HEATING INPUT: 70,000-115,000 BTU/H

GME8 SERIES

MULTI-POSITION, DUAL\$AVER
MULTI-SPEED GAS FURNACE

Standard Features

- Dual-diameter tubular heat exchanger
- Two-stage gas valve that allows installer to turn on two-stage operation with the flip of a dipswitch
- Energy-efficient circulator motor (EEM)
- 115V Silicon Nitride igniter designed for long igniter life
- Furnace control board with self-diagnostics, color-coded low-voltage terminals, and provisions for electronic air cleaner and 24-volt humidifiers
- Control board stores the last five diagnostic codes in memory; simple push-button activation outputs the fault history to a flashing red LED
- Low constant fan allows homeowner to activate the low heat speed to efficiently circulate air throughout the home.
- Self-adjusting feature automatically adjusts furnace to high- or low-stage operation based on outside temperature without an outdoor temperature sensor
- All models comply with California NOx emissions standards



Cabinet Features

- Fully insulated, heavy-gauge steel cabinet with durable baked-enamel finish
- Foil-faced insulation lines the heat exchanger
- Designed for multi-position installation: upflow, horizontal left or right
- Removable bottom for side- or bottom-return applications
- Convenient left or right connection for gas/ electric service
- Top gas connection on most models
- Coil and furnace fit flush for most installations



Contents

Nomenclature 2

Product Specifications 3

Dimensions 4

Airflow Data 5

Wiring Diagrams 6

Accessories 8



* Complete warranty details available from your local dealer or at www.goodmanmfg.com. To receive the Lifetime Heat Exchanger Limited Warranty (good for as long as you own your home), 10-Year Unit Replacement Limited Warranty and 10-Year Parts Limited Warranty, online registration must be completed within 60 days of installation. Online registration is not required in California or Québec.



NOMENCLATURE

	G	M	E	8	045	4	B	X	AA	
	1	2	3	4,5	6,7,8	9	10	11	12,13	
Brand	G Goodman® Brand or Distinctions™								Revisions	
									Major and Minor Revisions	
Airflow Direction	C Downflow/Horizontal D Dedicated Downflow H High Airflow K Dedicated Upflow M Upflow/Horizontal								NOx	
									N Natural Gas X Low NOx	
Description/Motor	V Two-Stage/Variable-speed H Two-Stage/Multi-speed S Single-Stage/Multi-speed E Two-Stage/EEM Motor								Cabinet Width	
									A 14" B 17½" C 21" D 24½"	
AFUE	95 95% 9 93%+ 8 80%								Maximum CFM @ 0.5" ESP	
									3 1200 4 1600 5 2000	
									MBTU/h	
									045: 45,000 115: 115,000 070: 70,000 140: 140,000 090: 90,000	

SPECIFICATIONS

	GME8 0703BXC*	GME8 0905CXC*	GME8 1155CXC*
PERFORMANCE DATA			
Input ¹	70,000	90,000	115,000
Output ¹	56,000	72,000	92,000
LP Output ¹	48,000	64,000	80,000
AFUE ²	80	80	80
Tons AC @ 0.5" ESP	3	5	5
Temperature Rise Range (°F)	20 - 50	35 - 65	35 - 65
CIRCULATOR BLOWER			
Size (D x W)	10 X 8	10 X 10	10 X 10
HP	1/2	1	1
Speed	4	4	4
Vent Diameter ³	4	4	4
No. of Burners	3	4	5
Disposable Filter (in ²)	290	480	480
ELECTRICAL DATA			
Min. Circuit Ampacity ⁴	8.2	14.8	14.8
Max. Overcurrent Protection ⁵	15	15	15
SHIP WEIGHT (LBS)	130	163	167

¹ Natural Gas BTU/h: for altitudes above 2,000', reduce input rating 4% for each 1,000' above sea level. Low-fire rate is 75% of high-fire rate.

² DOE AFUE based upon Isolated Combustion System (ICS).

³ Vent diameter may vary depending upon vent length. Refer to the latest editions of the National Fuel Gas Code NFPA 54/ANSI Z223.1 (in the USA) and the Canada National Standard of Canada, CAN/CSA B149.1 and CAN/CSA B142.2 (in Canada).

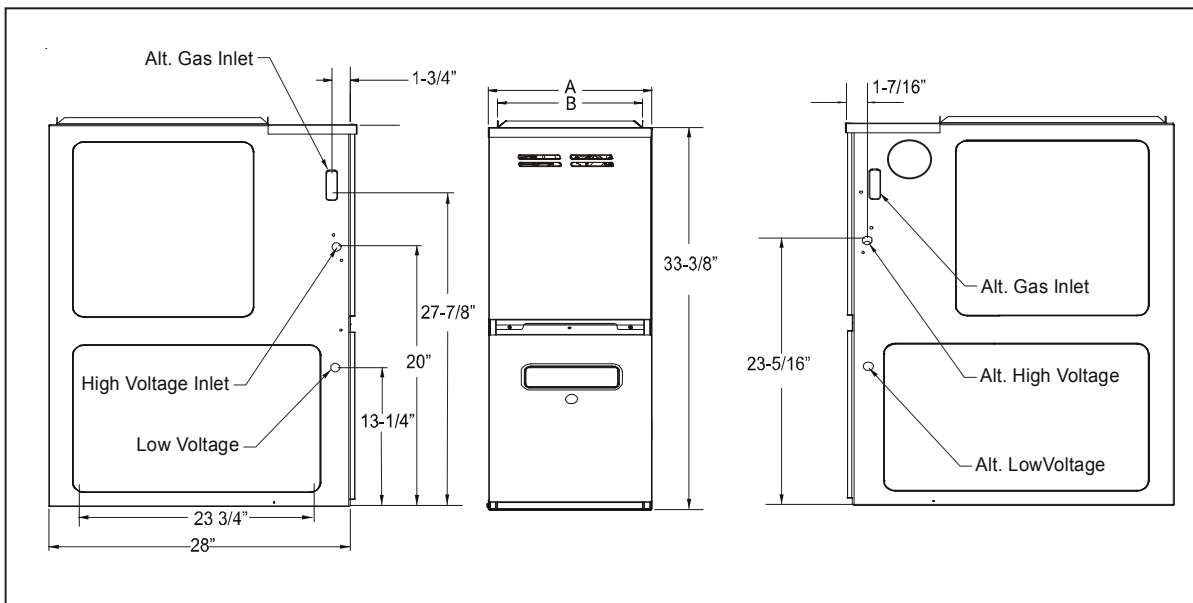
⁴ Minimum Circuit Ampacity = (1.25 x Circulator Blower Amps) + ID Blower amps. Wire size should be determined in accordance with National Electrical Codes. Extensive wire runs will require larger wire sizes.

⁵ Refers to maximum recommended fuse or circuit breaker size; may use fuses or HACR-type circuit breakers of the same size as noted.

NOTES

- All furnaces are manufactured for use on 115 VAC, 60 Hz, single phase electrical supply.
- Gas Service Connection ½" FPT
- Important: It is required to size overcurrent protection device and wires properly and make electrical connections in accordance with the National Electrical Code and/or all existing local codes.

DIMENSIONS



MODEL	A	B
GME80703BXA	17½"	16"
GME80905CXA	21"	19½"
GME81155CXA	21"	19½"

MINIMUM CLEARANCES TO COMBUSTIBLE MATERIALS

SIDES	REAR	FRONT	BOTTOM	VENT		TOP
				SW	B	
1	0	3	C	6	1	1

C = If placed on combustible floor, the floor MUST be wood ONLY.

NOTES:

- For servicing or cleaning, a 24" front clearance is recommended.
- Unit connections (electrical, flue, and drain) may necessitate greater clearances than the minimum clearances listed above.
- In all cases, accessibility clearance must take precedence over clearances from the enclosure where accessibility clearances are greater.
- Refer to the appropriate USA and Canadian codes:
 - ◊ In the USA: the National Fuel Gas Code NFPA 54 / ANSI Z223.1
 - ◊ In Canada: the Canada National Standard of Canada, CAN/CSA B149.1 and CAN/CSA B142.2

AIRFLOW DATA

(CFM & TEMPERATURE RISE VS. EXTERNAL STATIC PRESSURE)

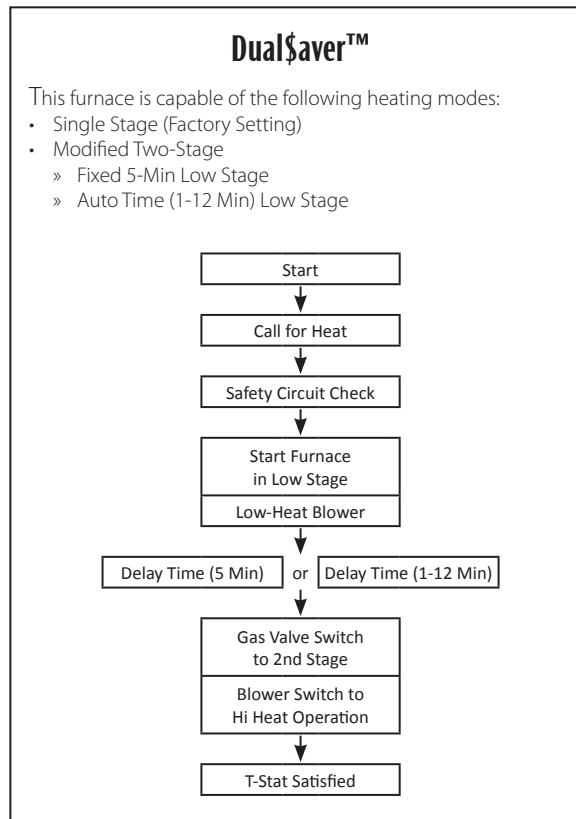
MODEL	MOTOR SPEED	TONS AC ¹	EXTERNAL STATIC PRESSURE, (INCHES WATER COLUMN)												
			0.1		0.2		0.3		0.4		0.5		0.6	0.7	0.8
			CFM	RISE	CFM	RISE	CFM	RISE	CFM	RISE	CFM	RISE	CFM	CFM	CFM
GME8 0703BXC*	T1	1½	875	59	793	65	736	70	674	77	592	88	556	509	460
	T2	2	1,032	50	965	54	914	57	861	60	810	64	756	712	659
	T3	2½	1,217	43	1,153	45	1,098	47	1,051	49	1,009	51	964	918	877
	T4	3	1,365	38	1,313	39	1,268	41	1,221	42	1,172	44	1,129	1,086	1,054
	T5	3½	1,549	33	1,505	34	1,460	36	1,420	37	1,378	38	1,350	1,305	1,268
GME8 0905CXC*	T1	2½	1,268	53	1,198	56	1,151	58	1,092	61	1,041	64	988	932	883
	T2	3	1,362	49	1,305	51	1,261	53	1,212	55	1,170	57	1,121	1,074	1,021
	T3	3½	1,576	42	1,519	44	1,473	45	1,426	47	1,398	48	1,341	1,290	1,252
	T4	4	1,755	38	1,711	39	1,657	40	1,627	41	1,579	42	1,548	1,502	1,463
	T5	5	2,183	31	2,128	31	2,094	32	2,060	32	2,014	33	1,992	1,944	1,847
GME8 1155CXC*	T1	3	1,466	58	1,415	60	1,357	63	1,306	65	1,248	68	1,202	1,144	1,088
	T2	3½	1,642	52	1,596	53	1,552	55	1,499	57	1,449	59	1,388	1,352	1,306
	T3	4	1,750	49	1,750	49	1,707	50	1,667	51	1,610	53	1,574	1,531	1,486
	T4	4	1,870	46	1,805	47	1,782	48	1,737	49	1,701	50	1,656	1,606	1,571
	T5	5	2,297	37	2,297	37	2,224	38	2,106	40	2,014	42	1,896	1,813	1,669

¹ @ 0.5" ESP

NOTES

- CFM in chart is without filter(s). Filters do not ship with this furnace, but must be provided by the installer. If the furnace requires two return filters, this chart assumes both filters are installed.
- All furnaces ship as high-speed cooling and medium-speed heating. Installer must adjust blower cooling and heating speed as needed.
- For most jobs, about 375 - 400 CFM per ton when cooling is desirable.
- INSTALLATION IS TO BE ADJUSTED TO OBTAIN TEMPERATURE RISE WITHIN THE RANGE SPECIFIED ON THE RATING PLATE.
- This chart is for information only. For satisfactory operation, external static pressure should not exceed value shown on the rating plate.
- The above chart is for U.S. furnaces installed at 0-2000 feet. At higher altitudes, a properly derated unit will have approximately the same temperature rise at a particular CFM, while ESP at the CFM will be lower.
- Factory Motor Speed Setting: T1 = 1st Stage Ht, T2 = 2nd Stage Ht, T5 = Cooling
- Temperature rise data is based on 2nd-stage heat. First-stage heat is 75% of rise indicated above.

DUAL\$AVER CONFIGURATION & OPERATION



ACCESSORIES

MODEL	DESCRIPTION	GME8 0703BX	GME8 0905CX	GME8 155CX
LPM-05	LP Conversion Kit (Springs & Orifice) ¹	√	√	√
LPM-06	LP Conversion Kit (Springs & Orifice) ²	√	√	√
FSRKG-14/17/21/24	Noise Reduction Kits	√	√	√
MVK-01 ³	Masonry Vent Kit	√	√	√
HA02	High-Altitude Natural Gas Kit	√	√	√
AFE18-60A	Fossil Fuel Kit	√	√	√

¹ White-Rodgers valves only
² Honeywell or White-Rodgers valves
³ Upflow applications only



Free Manuals Download Website

<http://myh66.com>

<http://usermanuals.us>

<http://www.somanuals.com>

<http://www.4manuals.cc>

<http://www.manual-lib.com>

<http://www.404manual.com>

<http://www.luxmanual.com>

<http://aubethermostatmanual.com>

Golf course search by state

<http://golfingnear.com>

Email search by domain

<http://emailbydomain.com>

Auto manuals search

<http://auto.somanuals.com>

TV manuals search

<http://tv.somanuals.com>