

Nexus

1250/1252

HIGH PERFORMANCE SCADA MONITOR

Installation & Operation Manual
Version 1.25

November 13, 2006
Doc # E107706 V1.25



Electro Industries/GaugeTech

1800 SHAMES DRIVE
WESTBURY, NEW YORK 11590

TEL: 516-334-0870 ◆ FAX: 516-338-4741
SALES@ELECTROIND.COM ◆ WWW.ELECTROIND.COM

“The Leader in Web Accessed Power Monitoring and Control”

**Nexus 1250/1252
Installation and Operation Manual
Revision 1.25**

Published by:
Electro Industries/GaugeTech
1800 Shames Drive
Westbury, NY 11590

All rights reserved. No part of this publication may be reproduced or transmitted in any form or by any means, electronic or mechanical, including photocopying, recording, or information storage or retrieval systems or any future forms of duplication, for any purpose other than the purchaser's use, without the expressed written permission of Electro Industries/GaugeTech.

© 2006
Electro Industries/GaugeTech

Printed in the United States of
America.

Customer Service and Support

Customer support is available 9:00 am to 4:30 pm, eastern standard time, Monday through Friday. Please have the model, serial number and a detailed problem description available. If the problem concerns a particular reading, please have all meter readings available. When returning any merchandise to EIG, a return materials authorization number is required. For customer or technical assistance, repair or calibration, phone 516-334-0870 or fax 516-338-4741.

Product Warranty

Electro Industries/GaugeTech warrants all products to be free from defects in material and workmanship for a period of four years from the date of shipment. During the warranty period, we will, at our option, either repair or replace any product that proves to be defective.

To exercise this warranty, fax or call our customer-support department. You will receive prompt assistance and return instructions. Send the instrument, transportation prepaid, to EIG at 1800 Shames Drive, Westbury, NY 11590. Repairs will be made and the instrument will be returned.

Limitation of Warranty

This warranty does not apply to defects resulting from unauthorized modification, misuse, or use for any reason other than electrical power monitoring. Nexus 1250/1252 is not a user-serviceable product.

OUR PRODUCTS ARE NOT TO BE USED FOR PRIMARY OVER-CURRENT PROTECTION. ANY PROTECTION FEATURE IN OUR PRODUCTS IS TO BE USED FOR ALARM OR SECONDARY PROTECTION ONLY.

THIS WARRANTY IS IN LIEU OF ALL OTHER WARRANTIES, EXPRESSED OR IMPLIED, INCLUDING ANY IMPLIED WARRANTY OF MERCHANTABILITY OR FITNESS FOR A PARTICULAR PURPOSE. ELECTRO INDUSTRIES/GAUGETECH SHALL NOT BE LIABLE FOR ANY INDIRECT, SPECIAL OR CONSEQUENTIAL DAMAGES ARISING FROM ANY AUTHORIZED OR UNAUTHORIZED USE OF ANY ELECTRO INDUSTRIES/GAUGETECH PRODUCT. LIABILITY SHALL BE LIMITED TO THE ORIGINAL COST OF THE PRODUCT SOLD.

Statement of Calibration

Our instruments are inspected and tested in accordance with specifications published by Electro Industries/GaugeTech. The accuracy and a calibration of our instruments are traceable to the National Institute of Standards and Technology through equipment that is calibrated at planned intervals by comparison to certified standards.

Disclaimer

The information presented in this publication has been carefully checked for reliability; however, no responsibility is assumed for inaccuracies. The information contained in this document is subject to change without notice.



This symbol indicates that the operator must refer to an explanation in the operating instructions. Please see Chapter 3, Hardware Installation, for important safety information regarding installation and hookup of the Nexus 1250/1252 Meter.

About Electro Industries/GaugeTech

Electro Industries/GaugeTech was founded in 1973 by Dr. Samuel Kagan. Dr. Kagan's first innovation, an affordable, easy-to-use AC power meter, revolutionized the power-monitoring field. In the 1980s Dr. Kagan and his team at EIG developed a digital multifunction monitor capable of measuring every aspect of power.

EIG further transformed AC power metering and power distribution with the Futura+ device, which supplies all the functionality of a fault recorder, an event recorder and a data logger in one single meter. Today, with the Nexus 1250/1252, 1262/1272 and the Shark, EIG is a leader in the development and production of power monitoring products. All EIG products are designed, manufactured, tested and calibrated at our facility in Westbury, New York.

Applications:

- Multifunction power monitoring
- Single and multifunction power monitoring
- Power quality monitoring
- On board data logging for trending power usage and quality
- Disturbance analysis

Futura+ Series Products:

- Power quality monitoring
- High-accuracy AC metering
- On board data logging
- On board fault and voltage recording

DM Series Products:

- Three-phase multifunction monitoring
- Wattage, VAR and amperage
- Modbus, Modbus Plus, DNP 3.0 and Ethernet protocols
- Analog retransmit signals (0–1 and 4–20mA)

Single-Function Meters:

- AC voltage and amperage
- DC voltage and amperage
- AC wattage
- Single-phase monitoring with maximum and minimum demands
- Transducer readouts

Portable Analyzers:

- Power quality analysis
- Energy analysis

Table of Contents

Chapter 1: Three-Phase Power Measurement

1.1: Three-Phase System Configurations	1-1
1.1.1: Wye Connection	1-1
1.1.2: Delta Connection	1-3
1.1.3: Blondell's Theorem and Three Phase Measurement	1-4
1.2: Power, Energy and Demand	1-6
1.3: Reactive Energy and Power Factor	1-8
1.4: Harmonic Distortion	1-10
1.5: Power Quality	1-13

Chapter 2: Nexus Overview

2.1: The Nexus System	2-1
2.2: DNP V3.00 Level 1 and Level 2	2-2
2.3: Flicker	2-2
2.4: INP2 Internal Modem with Dial-In/Dial-Out Option	2-3
2.4.1: Hardware Overview	2-3
2.4.2: Dial-In Function	2-3
2.4.3: Dial-Out Function	2-3
2.5: Total Web Solutions	2-4
2.5.1: Hardware Overview	2-4
2.5.2: Hardware Connection	2-4
2.6: Measurements and Calculations	2-6
2.7: Demand Integrators	2-10
2.8: Nexus External I/O Modules (Optional)	2-12
2.9: Nexus 1250/1252 Meter Specifications	2-13
2.10: Nexus P40N, P41N, P43N External Display Specifications	2-14
2.11: Nexus P60N Touch Screen Display Specifications	2-14

Chapter 3: Hardware Installation

3.1: Mounting the Nexus 1259/1252 Meter	3-1
3.2: Mounting the Nexus P40N, P41N, P43N External Displays	3-3
3.3: Mounting the Nexus P60N Touch Screen External Display	3-4
3.4: Mounting the Nexus External I/O Modules	3-6

Chapter 4: Electrical Installation

4.1: Wiring the Monitored Inputs and Voltages	4-1
4.2: Fusing the Voltage Connections	4-1
4.3: Wiring the Monitored Inputs - VRef	4-1
4.4: Wiring the Monitored Inputs - VAux	4-1
4.5: Wiring the Monitored Inputs - Currents	4-1
4.6: Isolating a CT Connection Reversal	4-2
4.7: Instrument Power Connections	4-2
4.8: Wiring Diagrams	4-3

Chapter 5: Communication Wiring

5.1: Communication Overview	5-1
5.2: RS-232 Connection-Nexus Meter to a Computer	5-5
5.3: RS-485 Wiring Fundamentals (with RT Explanation)	5-5
5.4: RS-485 Connection- Nexus Meter to a Computer or PLC	5-8
5.5: RJ-11 (Telephone Line) Connection- Nexus with Internal Modem Option to PC	5-8
5.6: RJ-45 Connection- Nexus with Internal Network Option to multiple PC's	5-8
5.7: RS-485 Connection- Nexus to an RS-485 Master (Unicom or Modem Manager)	5-9
5.7.1: Using the Unicom 2500	5-9
5.8: RS-485 Connection- Nexus Meter to P40N, P41N, P43N External Display	5-11
5.9: RS-485 Connection- Nexus Meter to P60N External Display	5-12
5.10: Communication Ports on the Nexus I/O Modules	5-13
5.11: RS-485 Connection—Nexus Meter to Nexus I/O Modules	5-14
5.12: Steps to Determine Power Needed	5-15
5.13: I/O Modules' Factory Settings and VA Ratings	5-15
5.14: Linking Multiple Nexus Devices in Series	5-16
5.15: Networking Groups of Nexus Meters	5-17
5.16: Remote Communication Overview	5-18
5.17: Remote Communication- RS-232	5-21
5.18: Remote Communication- RS-485	5-21
5.19: Programming Modems for Remote Communication	5-22
5.20: Selected Modem Strings	5-23
5.21: High Speed Inputs Connection	5-23
5.22: Five Modes of Time Synchronization	5-24
5.23: IRIG-B Connections	5-25

Chapter 6: Using the Nexus External Displays

6.1: Overview	6-1
6.2: Nexus P40N, P41N, P43N LED External Display	6-1
6.2.1: Connect Multiple Displays	6-2
6.2.2: Nexus P40N Modes	6-2
6.3: Dynamic Readings Mode	6-3
6.4: Navigational Map of Dynamic Readings Mode	6-5
6.5: Nexus Information Mode	6-6
6.6: Navigational Map of Nexus Information Mode	6-7
6.7: Display Features Mode	6-8
6.8: Navigational Map of Display Features Mode	6-9
6.9: Nexus P60N Touch Screen External Display	6-10
6.10: Navigational Map for P60N Touch Screen External Display	6-18

Chapter 7: Transformer Loss Compensation

7.1: Introduction	7-1
7.2: Nexus 1250/1252 Transformer Loss Compensation	7-3
7.2.1: Loss Compensation in Three Element Installations	7-4
7.2.1.1: Three Element Loss Compensation Worksheet	7-5

Chapter 8: Nexus Time-of-Use

8.1: Introduction	8-1
8.2: The Nexus TOU Calendar	8-1

8.3: TOU Prior Season and Month	8-2
8.4: Updating, Retrieving and Replacing TOU Calendars	8-2
8.5: Daylight Savings and Demand	8-2

Chapter 9: Nexus External I/O Modules

9.1: Hardware Overview	9-1
9.1.1: Port Overview	9-2
9.2: Installing Nexus External I/O Modules	9-3
9.2.1: Power Source for I/O Modules	9-4
9.3: Using PSIO with Multiple I/O Modules	9-5
9.3.1: Steps for Attaching Multiple I/O Modules	9-5
9.4: Factory Settings and Reset Button	9-6
9.5: Analog Transducer Signal Output Modules	9-7
9.5.1: Overview	9-7
9.5.2: Normal Mode	9-8
9.6: Analog Input Modules	9-9
9.6.1: Overview	9-9
9.6.2: Normal Mode	9-10
9.7: Digital Dry Contact Relay Output (Form C) Module	9-11
9.7.1: Overview	9-11
9.7.2: Communication	9-12
9.7.3: Normal Mode	9-12
9.8: Digital Solid State Pulse Output (KYZ) Module	9-13
9.8.1: Overview	9-13
9.8.2: Communication	9-14
9.8.3: Normal Mode	9-14
9.9: Digital Status Input Module	9-15
9.9.1: Overview	9-15
9.9.2: Communication	9-15
9.9.3: Normal Mode	9-16
9.10: Specifications	9-16

Chapter 10: Nexus Monitor with INP2 - Internal Modem Option

10.1: Hardware Overview	10-1
10.2: Hardware Connection	10-2
10.3: Dial-In Function	10-2
10.4: Dial-Out Function	10-2

Chapter 11: Nexus Monitor with Internal Network Option

11.1: Hardware Overview	11-1
11.2: Hardware Connection	11-3

Chapter 12: Flicker

12.1: Overview	12-1
12.2: Theory of Operation	12-1
12.3: Setup	12-3
12.4: Software - User Interface	12-4
12.5: Logging	12-7
12.6: Polling	12-7

12.7: Log Viewer12-7
12.8: Performance Notes12-8

Appendix A: Transformer Loss Compensation Excel Spreadsheet with Examples

A.1: Calculating ValuesA-1
A.2: Excel Spreadsheet with Example NumbersA-1

Glossary of Terms

Chapter 1

Three-Phase Power Measurement

This introduction to three-phase power and power measurement is intended to provide only a brief overview of the subject. The professional meter engineer or meter technician should refer to more advanced documents such as the *EEI Handbook for Electricity Metering* and the application standards for more in-depth and technical coverage of the subject.

1.1: Three-Phase System Configurations

Three-phase power is most commonly used in situations where large amounts of power will be used because it is a more effective way to transmit the power and because it provides a smoother delivery of power to the end load. There are two commonly used connections for three-phase power, a wye connection or a delta connection. Each connection has several different manifestations in actual use. When attempting to determine the type of connection in use, it is a good practice to follow the circuit back to the transformer that is serving the circuit. It is often not possible to conclusively determine the correct circuit connection simply by counting the wires in the service or checking voltages. Checking the transformer connection will provide conclusive evidence of the circuit connection and the relationships between the phase voltages and ground.

1.1.1: Wye Connection

- The wye connection is so called because when you look at the phase relationships and the winding relationships between the phases it looks like a wye (Y). Figure 1.1 depicts the winding relationships for a wye-connected service. In a wye service the neutral (or center point of the wye) is typically grounded. This leads to common voltages of 208/120 and 480/277 (where the first number represents the phase-to-phase voltage and the second number represents the phase-to-ground voltage).

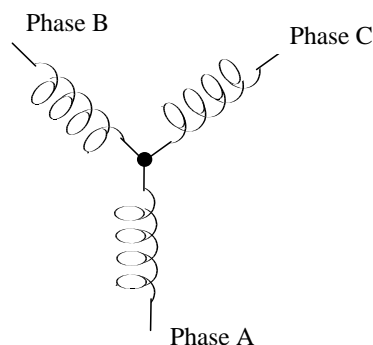


Figure 1.1: Three-Phase Wye Winding

- The three voltages are separated by 120° electrically. Under balanced load conditions with unity power factor the currents are also separated by 120° . However, unbalanced loads and other conditions can cause the currents to depart from the ideal 120° separation.

Three-phase voltages and currents are usually represented with a phasor diagram. A phasor diagram for the typical connected voltages and currents is shown in Figure 1.2.

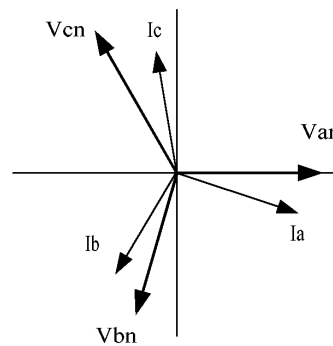


Fig 1.2: Phasor Diagram Showing Three-phase Voltages and Currents

- The phasor diagram shows the 120° angular separation between the phase voltages. The phase-to-phase voltage in a balanced three-phase wye system is 1.732 times the phase-to-neutral voltage. The center point of the wye is tied together and is typically grounded. Table 1.1 shows the common voltages used in the United States for wye-connected systems.

Phase-to-Ground Voltage	Phase-to-Phase Voltage
120 volts	208 volts
277 volts	480 volts
2,400 volts	4,160 volts
7,200 volts	12,470 volts
7,620 volts	13,200 volts

Table 1.1: Common Phase Voltages on Wye Services

- Usually a wye-connected service will have four wires; three wires for the phases and one for the neutral. The three-phase wires connect to the three phases (as shown in Figure 1.1). The neutral wire is typically tied to the ground or center point of the wye (refer to Figure 1.1).

In many industrial applications the facility will be fed with a four-wire wye service but only three wires will be run to individual loads. The load is then often referred to as a delta-connected load but the service to the facility is still a wye service; it contains four wires if you trace the circuit back to its source (usually a transformer). In this type of connection the phase to ground voltage will be the phase-to-ground voltage indicated in Table 1, even though a neutral or ground wire is not physically present at the load. The transformer is the best place to determine the circuit connection type because this is a location where the voltage reference to ground can be conclusively identified.

1.1.2: Delta Connection

- Delta connected services may be fed with either three wires or four wires. In a three-phase delta service the load windings are connected from phase-to-phase rather than from phase-to-ground. Figure 1.3 shows the physical load connections for a delta service.

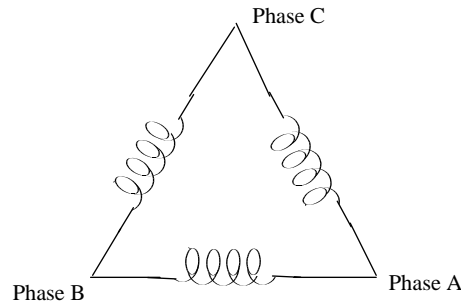


Figure 1.3: Three-Phase Delta Winding Relationship

In this example of a delta service, three wires will transmit the power to the load. In a true delta service, the phase-to-ground voltage will usually not be balanced because the ground is not at the center of the delta.

Figure 1.4 shows the phasor relationships between voltage and current on a three-phase delta circuit.

In many delta services, one corner of the delta is grounded. This means the phase to ground voltage will be zero for one phase and will be full phase-to-phase voltage for the other two phases. This is done for protective purposes.

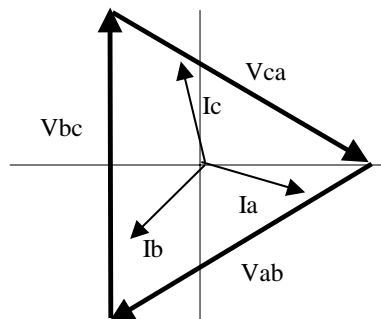


Figure 1.4: Phasor Diagram, Three-Phase Voltages and Currents Delta Connected.

- Another common delta connection is the four-wire, grounded delta used for lighting loads. In this connection the center point of one winding is grounded. On a 120/240 volt, four-wire, grounded delta service the phase-to-ground voltage would be 120 volts on two phases and 208 volts on the third phase. Figure 1.5 shows the phasor diagram for the voltages in a three-phase, four-wire delta system.

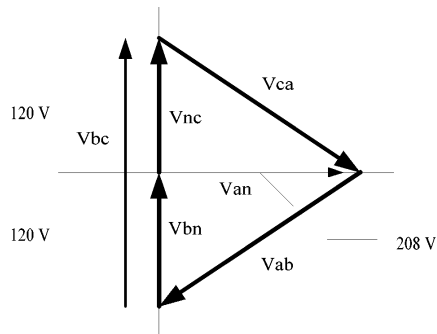


Fig 1.5: Phasor Diagram Showing Three-phase, Four-wire Delta Connected System

1.1.3: Blondell's Theorem and Three Phase Measurement

In 1893 an engineer and mathematician named Andre E. Blondell set forth the first scientific basis for poly phase metering. His theorem states:

- If energy is supplied to any system of conductors through N wires, the total power in the system is given by the algebraic sum of the readings of N wattmeters so arranged that each of the N wires contains one current coil, the corresponding potential coil being connected between that wire and some common point. If this common point is on one of the N wires, the measurement may be made by the use of N-1 wattmeters.

The theorem may be stated more simply, in modern language:

- In a system of N conductors, N-1 meter elements will measure the power or energy taken provided that all the potential coils have a common tie to the conductor in which there is no current coil.
- Three-phase power measurement is accomplished by measuring the three individual phases and adding them together to obtain the total three phase value. In older analog meters, this measurement was accomplished using up to three separate elements. Each element combined the single-phase voltage and current to produce a torque on the meter disk. All three elements were arranged around the disk so that the disk was subjected to the combined torque of the three elements. As a result the disk would turn at a higher speed and register power supplied by each of the three wires.
- According to Blondell's Theorem, it was possible to reduce the number of elements under certain conditions. For example, a three-phase, three-wire delta system could be correctly measured with two elements (two potential coils and two current coils) if the potential coils were connected between the three phases with one phase in common.

In a three-phase, four-wire wye system it is necessary to use three elements. Three voltage coils are connected between the three phases and the common neutral conductor. A current coil is required in each of the three phases.

- In modern digital meters, Blondell's Theorem is still applied to obtain proper metering. The difference in modern meters is that the digital meter measures each phase voltage and current and calculates the single-phase power for each phase. The meter then sums the three phase powers to a

single three-phase reading.

Some digital meters calculate the individual phase power values one phase at a time. This means the meter samples the voltage and current on one phase and calculates a power value. Then it samples the second phase and calculates the power for the second phase. Finally, it samples the third phase and calculates that phase power. After sampling all three phases, the meter combines the three readings to create the equivalent three-phase power value. Using mathematical averaging techniques, this method can derive a quite accurate measurement of three-phase power.

More advanced meters actually sample all three phases of voltage and current simultaneously and calculate the individual phase and three-phase power values. The advantage of simultaneous sampling is the reduction of error introduced due to the difference in time when the samples were taken.

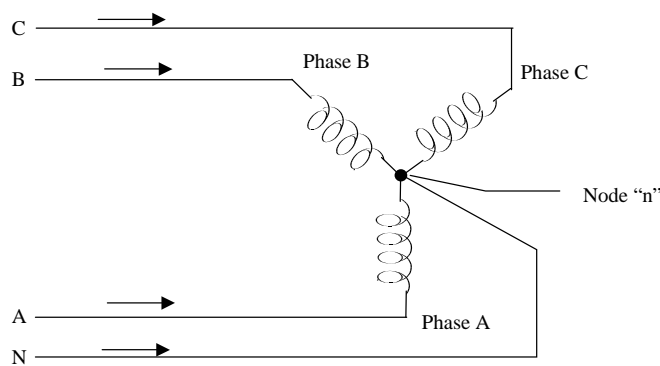


Figure 1.6: Three-Phase Wye Load illustrating Kirchhoff's Law and Blondell's Theorem

Blondell's Theorem is a derivation that results from Kirchhoff's Law. Kirchhoff's Law states that the sum of the currents into a node is zero. Another way of stating the same thing is that the current into a node (connection point) must equal the current out of the node. The law can be applied to measuring three-phase loads. Figure 1.6 shows a typical connection of a three-phase load applied to a three-phase, four-wire service. Kirchhoff's Laws hold that the sum of currents A, B, C and N must equal zero or that the sum of currents into Node "n" must equal zero.

If we measure the currents in wires A, B and C, we then know the current in wire N by Kirchhoff's Law and it is not necessary to measure it. This fact leads us to the conclusion of Blondell's Theorem that we only need to measure the power in three of the four wires if they are connected by a common node. In the circuit of Figure 1.6 we must measure the power flow in three wires. This will require three voltage coils and three current coils (a three element meter). Similar figures and conclusions could be reached for other circuit configurations involving delta-connected loads.

1.2: Power, Energy and Demand

- It is quite common to exchange power, energy and demand without differentiating between the three. Because this practice can lead to confusion, the differences between these three measurements will be discussed.
- Power is an instantaneous reading. The power reading provided by a meter is the present flow of watts. Power is measured immediately just like current. In many digital meters, the power value is actually measured and calculated over a one second interval because it takes some amount of time to calculate the RMS values of voltage and current. But this time interval is kept small to preserve the instantaneous nature of power.
- Energy is always based on some time increment; it is the integration of power over a defined time increment. Energy is an important value because almost all electric bills are based, in part, on the amount of energy used.
- Typically, electrical energy is measured in units of kilowatt-hours (kWh). A kilowatt-hour represents a constant load of one thousand watts (one kilowatt) for one hour. Stated another way, if the power delivered (instantaneous watts) is measured as 1,000 watts and the load was served for a one hour time interval then the load would have absorbed one kilowatt-hour of energy. A different load may have a constant power requirement of 4,000 watts. If the load were served for one hour it would absorb four kWh. If the load were served for 15 minutes it would absorb $\frac{1}{4}$ of that total or one kWh.
- Figure 1.7 shows a graph of power and the resulting energy that would be transmitted as a result of the illustrated power values. For this illustration, it is assumed that the power level is held constant for each minute when a measurement is taken. Each bar in the graph will represent the power load for the one-minute increment of time. In real life the power value moves almost constantly.
- The data from Figure 1.7 is reproduced in Table 2 to illustrate the calculation of energy. Since the time increment of the measurement is one minute and since we specified that the load is constant over that minute, we can convert the power reading to an equivalent consumed energy reading by multiplying the power reading times $\frac{1}{60}$ (converting the time base from minutes to hours).

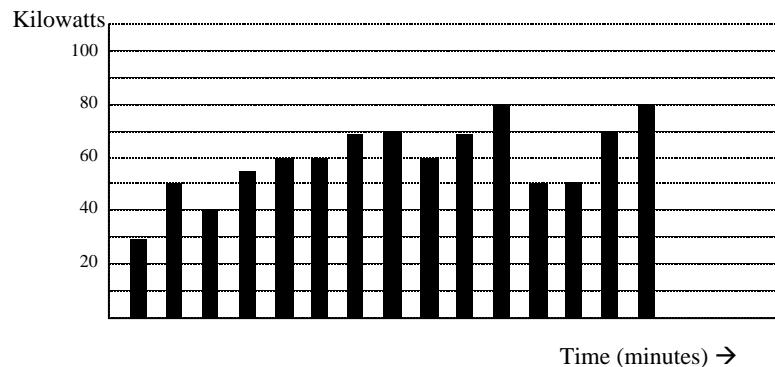


Figure 1.7: Power Use Over Time

Time Interval (Minute)	Power (kW)	Energy (kWh)	Accumulated Energy (kWh)
1	30	0.50	0.50
2	50	0.83	1.33
3	40	0.67	2.00
4	55	0.92	2.92
5	60	1.00	3.92
6	60	1.00	4.92
7	70	1.17	6.09
8	70	1.17	7.26
9	60	1.00	8.26
10	70	1.17	9.43
11	80	1.33	10.76
12	50	0.83	12.42
13	50	0.83	12.42
14	70	1.17	13.59
15	80	1.33	14.92

Table 1.2: Power and Energy Relationship Over Time

As in Table 1.2, the accumulated energy for the power load profile of Figure 1.7 is 14.92 kWh.

- Demand is also a time-based value. The demand is the average rate of energy use over time. The actual label for demand is kilowatt-hours/hour but this is normally reduced to kilowatts. This makes it easy to confuse demand with power. But demand is not an instantaneous value. To calculate demand it is necessary to accumulate the energy readings (as illustrated in Figure 1.7) and adjust the energy reading to an hourly value that constitutes the demand.

In the example, the accumulated energy is 14.92 kWh. But this measurement was made over a 15-minute interval. To convert the reading to a demand value, it must be normalized to a 60-minute interval. If the pattern were repeated for an additional three 15-minute intervals the total energy would be four times the measured value or 59.68 kWh. The same process is applied to calculate the 15-minute demand value. The demand value associated with the example load is 59.68 kWh/hr or 59.68 kWd. Note that the peak instantaneous value of power is 80 kW, significantly more than the demand value.

- Figure 1.8 shows another example of energy and demand. In this case, each bar represents the energy consumed in a 15-minute interval. The energy use in each interval typically falls between 50 and 70 kWh. However, during two intervals the energy rises sharply and peaks at 100 kWh in interval number 7. This peak of usage will result in setting a high demand reading. For each interval shown the demand value would be four times the indicated energy reading. So interval 1 would have an associated demand of 240 kWh/hr. Interval 7 will have a demand value of 400 kWh/hr. In the data shown, this is the peak demand value and would be the number that would set the demand charge on the utility bill.

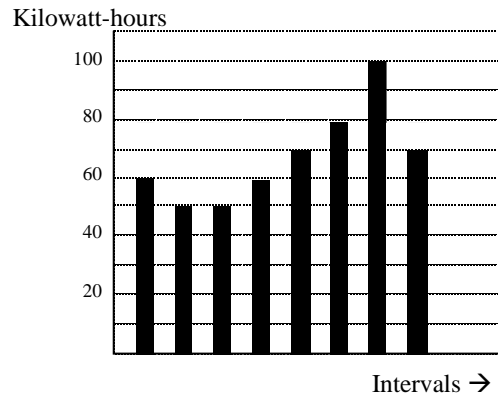


Figure 1.8: Energy Use and Demand

- As can be seen from this example, it is important to recognize the relationships between power, energy and demand in order to control loads effectively or to monitor use correctly.

1.3: Reactive Energy and Power Factor

- The real power and energy measurements discussed in the previous section relate to the quantities that are most used in electrical systems. But it is often not sufficient to only measure real power and energy. Reactive power is a critical component of the total power picture because almost all real-life applications have an impact on reactive power. Reactive power and power factor concepts relate to both load and generation applications. However, this discussion will be limited to analysis of reactive power and power factor as they relate to loads. To simplify the discussion, generation will not be considered.
- Real power (and energy) is the component of power that is the combination of the voltage and the value of corresponding current that is directly in phase with the voltage. However, in actual practice the total current is almost never in phase with the voltage. Since the current is not in phase with the voltage, it is necessary to consider both the inphase component and the component that is at quadrature (angularly rotated 90° or perpendicular) to the voltage. Figure 1.9 shows a single-phase voltage and current and breaks the current into its in-phase and quadrature components.

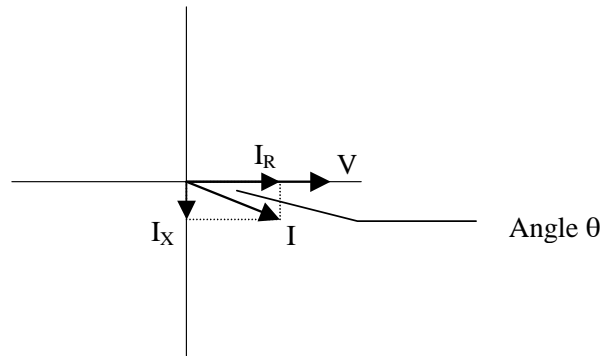


Figure 1.9: Voltage and Complex

- The voltage (V) and the total current (I) can be combined to calculate the apparent power or VA. The voltage and the in-phase current (IR) are combined to produce the real power or watts. The voltage and the quadrature current (IX) are combined to calculate the reactive power.

The quadrature current may be lagging the voltage (as shown in Figure 1.9) or it may lead the voltage. When the quadrature current lags the voltage the load is requiring both real power (watts) and reactive power (VARs). When the quadrature current leads the voltage the load is requiring real power (watts) but is delivering reactive power (VARs) back into the system; that is VARs are flowing in the opposite direction of the real power flow.

- Reactive power (VARs) is required in all power systems. Any equipment that uses magnetization to operate requires VARs. Usually the magnitude of VARs is relatively low compared to the real power quantities. Utilities have an interest in maintaining VAR requirements at the customer to a low value in order to maximize the return on plant invested to deliver energy. When lines are carrying VARs, they cannot carry as many watts. So keeping the VAR content low allows a line to carry its full capacity of watts. In order to encourage customers to keep VAR requirements low, most utilities impose a penalty if the VAR content of the load rises above a specified value.

A common method of measuring reactive power requirements is power factor. Power factor can be defined in two different ways. The more common method of calculating power factor is the ratio of the real power to the apparent power. This relationship is expressed in the following formula:

$$\text{Total PF} = \text{real power} / \text{apparent power} = \text{watts/VA}$$

This formula calculates a power factor quantity known as Total Power Factor. It is called Total PF because it is based on the ratios of the power delivered. The delivered power quantities will include the impacts of any existing harmonic content. If the voltage or current includes high levels of harmonic distortion the power values will be affected. By calculating power factor from the power values, the power factor will include the impact of harmonic distortion. In many cases this is the preferred method of calculation because the entire impact of the actual voltage and current are included.

A second type of power factor is Displacement Power Factor. Displacement PF is based on the angular relationship between the voltage and current. Displacement power factor does not consider the magnitudes of voltage, current or power. It is solely based on the phase angle differences. As a

result, it does not include the impact of harmonic distortion. Displacement power factor is calculated using the following equation:

Displacement PF = $\cos \theta$, where θ is the angle between the voltage and the current (see Fig. 1.9).

In applications where the voltage and current are not distorted, the Total Power Factor will equal the Displacement Power Factor. But if harmonic distortion is present, the two power factors will not be equal.

1.4: Harmonic Distortion

- Harmonic distortion is primarily the result of high concentrations of non-linear loads. Devices such as computer power supplies, variable speed drives and fluorescent light ballasts make current demands that do not match the sinusoidal waveform of AC electricity. As a result, the current waveform feeding these loads is periodic but not sinusoidal. Figure 1.10 shows a normal, sinusoidal current waveform. This example has no distortion.

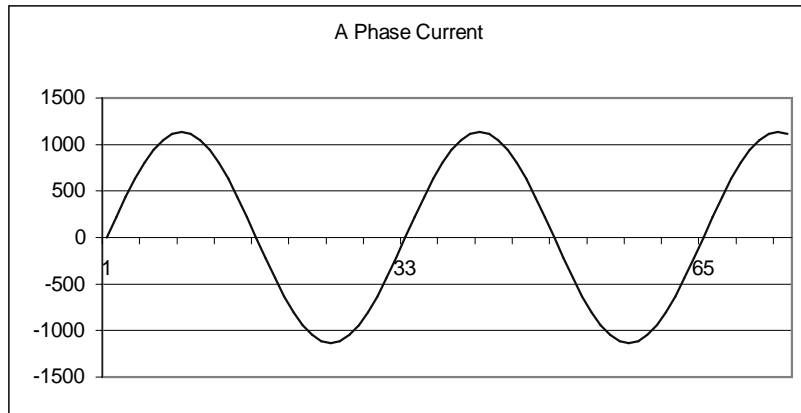


Figure 1.10: Nondistorted Current Waveform

- Figure 1.11 shows a current waveform with a slight amount of harmonic distortion. The waveform is still periodic and is fluctuating at the normal 60 Hz frequency. However, the waveform is not a smooth sinusoidal form as seen in Figure 1.10.

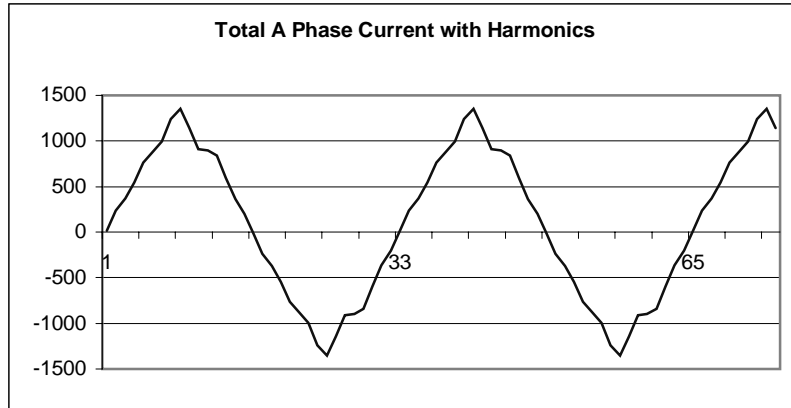


Figure 1.11: Distorted Current Wave

- The distortion observed in Figure 1.11 can be modeled as the sum of several sinusoidal waveforms of frequencies that are multiples of the fundamental 60 Hz frequency. This modeling is performed by mathematically disassembling the distorted waveform into a collection of higher frequency waveforms. These higher frequency waveforms are referred to as harmonics. Figure 1.12 shows the content of the harmonic frequencies that make up the distortion portion of the waveform in Figure 1.11.

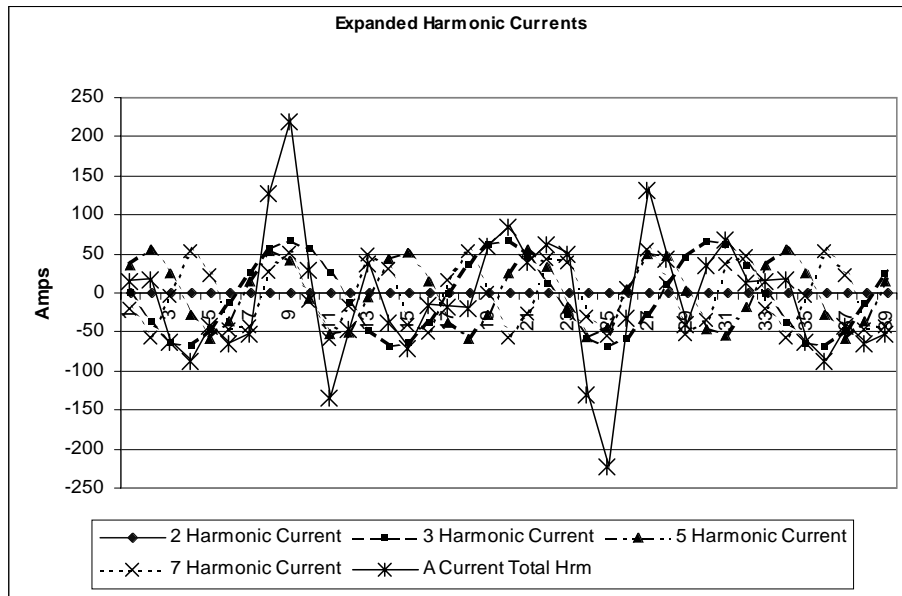


Figure 1.12: Waveforms of the Harmonics

The waveforms shown in Figure 1.12 are not smoothed but do provide an indication of the impact of combining multiple harmonic frequencies together.

When harmonics are present it is important to remember that these quantities are operating at higher frequencies. Therefore, they do not always respond in the same manner as 60 Hz values.

- Inductive and capacitive impedance are present in all power systems. We are accustomed to thinking about these impedances as they perform at 60 Hz. However, these impedances are subject to frequency variation.

$$X_L = j\omega L \quad \text{and}$$

$$X_C = 1/j\omega C$$

At 60 Hz, $\omega = 377$; but at 300 Hz (5th harmonic) $\omega = 1,885$. As frequency changes impedance changes and system impedance characteristics that are normal at 60 Hz may behave entirely different in presence of higher order harmonic waveforms.

Traditionally, the most common harmonics have been the low order, odd frequencies, such as the 3rd, 5th, 7th, and 9th. However newer, non-linear loads are introducing significant quantities of higher order harmonics.

- Since much voltage monitoring and almost all current monitoring is performed using instrument transformers, the higher order harmonics are often not visible. Instrument transformers are designed to pass 60 Hz quantities with high accuracy. These devices, when designed for accuracy at low frequency, do not pass high frequencies with high accuracy; at frequencies above about 1200 Hz they pass almost no information. So when instrument transformers are used, they effectively filter out higher frequency harmonic distortion making it impossible to see.
- However, when monitors can be connected directly to the measured circuit (such as direct connection to 480 volt bus) the user may often see higher order harmonic distortion. An important rule in any harmonics study is to evaluate the type of equipment and connections before drawing a conclusion. Not being able to see harmonic distortion is not the same as not having harmonic distortion.
- It is common in advanced meters to perform a function commonly referred to as waveform capture. Waveform capture is the ability of a meter to capture a present picture of the voltage or current waveform for viewing and harmonic analysis. Typically a waveform capture will be one or two cycles in duration and can be viewed as the actual waveform, as a spectral view of the harmonic content, or a tabular view showing the magnitude and phase shift of each harmonic value. Data collected with waveform capture is typically not saved to memory. Waveform capture is a real-time data collection event.

Waveform capture should not be confused with waveform recording that is used to record multiple cycles of all voltage and current waveforms in response to a transient condition.

1.5: Power Quality

- Power quality can mean several different things. The terms "power quality" and "power quality problem" have been applied to all types of conditions. A simple definition of "power quality problem" is any voltage, current or frequency deviation that results in mis-operation or failure of customer equipment or systems. The causes of power quality problems vary widely and may originate in the customer equipment, in an adjacent customer facility or with the utility.

In his book Power Quality Primer, Barry Kennedy provided information on different types of power quality problems. Some of that information is summarized in Table 1.3 below.

Cause	Disturbance Type	Source
Impulse Transient	Transient voltage disturbance, sub-cycle duration	Lightning Electrostatic discharge Load switching Capacitor switching
Oscillatory transient with decay	Transient voltage, sub-cycle duration	Line/cable switching Capacitor switching Load switching
Sag / swell	RMS voltage, multiple cycle duration	Remote system faults
Interruptions	RMS voltage, multiple second or longer duration	System protection Circuit breakers Fuses Maintenance
Undervoltage / Overvoltage	RMS voltage, steady state, multiple second or longer duration	Motor starting Load variations Load dropping
Voltage flicker	RMS voltage, steady state, repetitive condition	Intermittent loads Motor starting Arc furnaces
Harmonic distortion	Steady state current or voltage, long term duration	Non-linear loads System resonance

Table 1.3: Typical Power Quality Problems and Sources

- It is often assumed that power quality problems originate with the utility. While it is true that many power quality problems can originate with the utility system, many problems originate with customer equipment. Customer-caused problems may manifest themselves inside the customer location or they may be transported by the utility system to another adjacent customer. Often, equipment that is sensitive to power quality problems may in fact also be the cause of the problem.
- If a power quality problem is suspected, it is generally wise to consult a power quality professional for assistance in defining the cause and possible solutions to the problem.

Chapter 2 Nexus Overview

2.1: The Nexus System

Electro Industries' Nexus 1250/1252 combines high-end revenue metering with sophisticated power quality analysis. Its advanced monitoring capabilities provide detailed and precise pictures of any metered point within a distribution network. The P60N, P40N, P41N and P43N displays are detailed in Chapter 6. Extensive I/O capability is available in conjunction with all metering functions. The optional Communicator EXT software allows a user to poll and gather data from multiple Nexus meters installed at local or remote locations (see the *Communicator EXT User Manual* for details). On board mass memory enables the Nexus to retrieve and store multiple logs. The Nexus Meter with Internal Modem (or Network) Option connects to a PC via standard phone line (or MODBUS/TCP) and a daisy chain of Nexus Meters via an RS-485 connection. See *Chapters 10 and 11* for details.

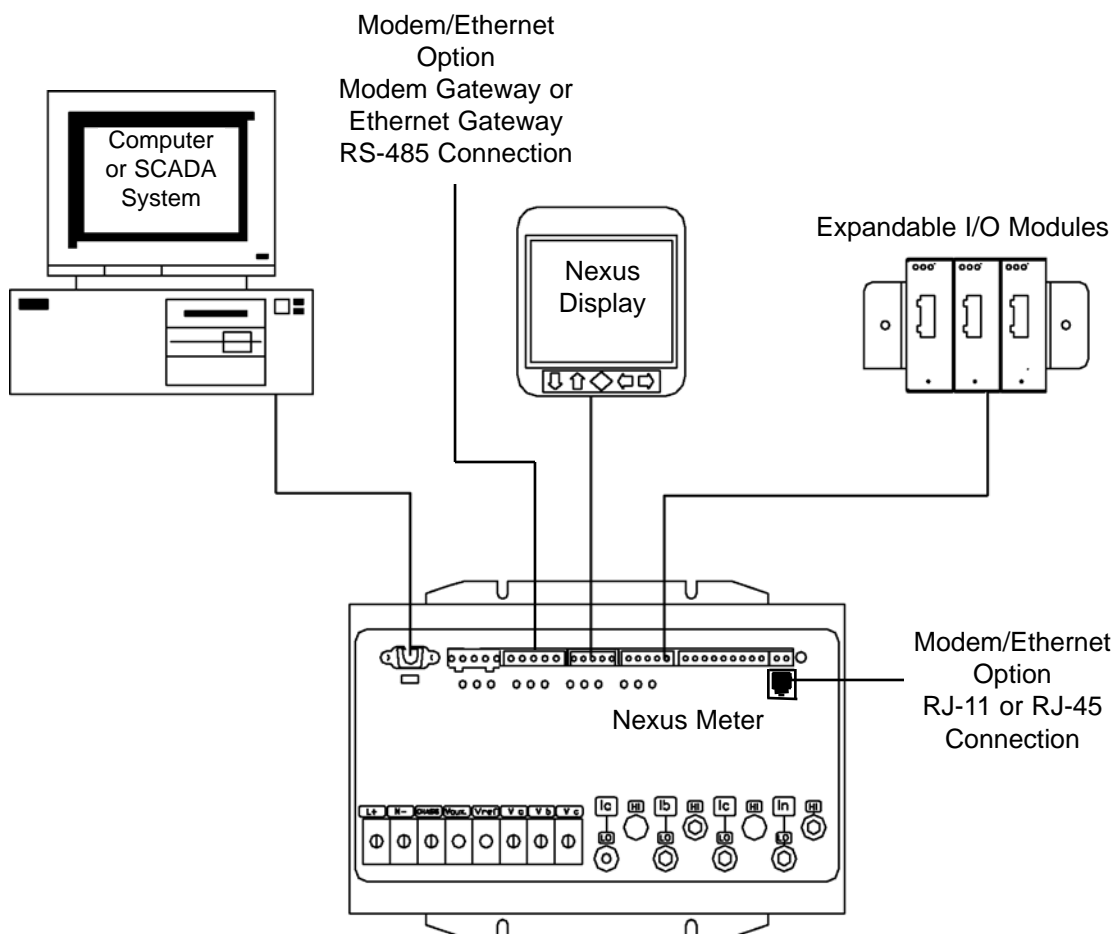


Figure 2.1: The Nexus 1250/1252 System

■ Nexus 1250/1252 Revenue Metering:

- Delivers laboratory-grade 0.04% Watt-hour accuracy in a field-mounted device.
- Autocalibrates when there is a temperature change of more than 10 degrees centigrade.
- Exceeds all ANSI C-12 and IEC 687 specifications.
- Adjusts for transformer and line losses, using user-defined compensation factors.
- Automatically logs time-of-use for up to eight programmable tariff registers.
- Counts pulses and aggregates different loads.

■ Nexus 1250/1252 Power Quality Monitoring:

- Records up to 512 samples per cycle on an event.
- Records sub-cycle transients on voltage or current readings.
- Measures and records Harmonics to the 83rd order.
- Offers inputs for neutral-to-ground voltage measurements.
- Synchronizes with IRIG-B clock signal.

■ Nexus 1250/1252 Memory, Communication and Control:

- Up to 4 Meg NVRAM.
- 4 High Speed Communication Ports.
- Multiple Protocols (see section below on DNP V3.00).
- Built-in RTU functionality.
- Built-in PLC functionality.
- 90msec High Speed Updates for Control.

2.2: DNP V3.00 Level 1 and Level 2

Nexus 1250 supports DNP V3.00 Level 1.

Nexus 1252 supports DNP V3.00 Level 2.

DNP Level 2 Features:

- Up to 136 measurement (64 Binary Inputs, 8 Binary Counters, 64 Analog Inputs) can be mapped to DNP Static Points (over 3000) in the customizable DNP Point Map.
- Up to 16 Relays and 8 Resets can be controlled through DNP Level 2.
- Report-by-Exception Processing (DNP Events) Deadbands can be set on a per-point basis.
- Freeze Commands: Freeze, Freeze/No-Ack, Freeze with Time, Freeze with Time/No-Ack.
- Freeze with Time Commands enable the Nexus meter to have internal time-driven Frozen and Frozen Event data. When the Nexus meter receives the Time and Interval, the data will be created.

For complete details, download the appropriate DNP User Manual from our website www.electroind.com.

2.3: Flicker

Nexus 1252 provides **Flicker Evaluation** in Instantaneous, Short Term and Long Term Forms. For a detailed explanation of Flicker, see Chapter 12 of this manual.

2.4: INP2 Internal Modem with Dial-In/Dial-Out Option

2.4.1: Hardware Overview

- The INP2 Option for the Nexus 1250/1252 meter provides a direct connection to a standard telephone line. No additional hardware is required to establish a communication connection between the meter and a remote computer. The RJ-11 Jack is on the face of the meter. A standard telephone RJ-11 plug can connect the meter to a standard PSTN (Public Switched Telephone Network).
- The modem operates at up to 56k baud. The modem supports both incoming calls (from a remote computer) and automatic dial-out calls when a defined event must be automatically reported.

With the device configured with the INP2 Option, the meter has dial-in capability and provides remote access to other Modbus-based serial devices via the meter's RS-485 Gateway over your phone line. The meter will recognize and respond to a Modbus Address of 1. With any other address, the command will pass through the gateway and become a virtual connection between the Remote Modbus Master and any Modbus Slave connected to the RS-485 Gateway.

2.4.2: Dial-In Function

- The modem continuously monitors the telephone line to detect an incoming call. When an incoming call is detected, the modem will wait a user-set number of rings and answer the call.
- The modem can be programmed to check for a password on an incoming call. If the correct password is not provided the modem will hang up on the incoming call. If several unsuccessful incoming call attempts are received in a set time period, the modem will lock out future incoming calls for a user-set number of hours.
- When an incoming call is successfully connected, the control of communications is passed to the calling software program. The modem will respond to computer commands to download data or other actions authorized by the meter passwords.

Refer to the *Communicator EXT Software Manual* for instructions on programming the modem.

2.4.3: Dial-Out Function

- The Dial-Out Function (INP2) is intended to allow the meter to automatically report certain conditions without user intervention. The modem is normally polling the meter to determine if any abnormal or reportable conditions exist. The modem checks programmed meter conditions and programmed events (set in Nexus Communicator) to determine if a call should be placed.

If any of the monitored events exist, the modem will automatically initiate a call to a specified location to make a report or perform some other function. For log full conditions, the meter will automatically download the log(s) that are nearing the full state.

2.5: Total Web Solutions

- The 10/100BaseT Ethernet Option (INP 100) is a fully customizable web server that uses XML to provide access to real time data via Internet Explorer. EIG's name for this dynamic system is Total Web Solutions. The system incorporates a highly programmable network card with built-in memory that is installed in the 100BaseT Option meters. Each card can be programmed to perform an extensive array of monitoring functions and the system is much faster than the 10BaseT Ethernet Option.

NOTE: Nexus meters with the INP10 Option do not support Total Web Solutions.

2.5.1: Hardware Overview

- The Nexus 1250/1252 with the 10/100BaseT Ethernet Option (INP 100) has all the components of the standard Nexus 1250/1252 PLUS the capability of connection to a network through an Ethernet LAN or through the Internet via Modbus TCP, HTTP, SMTP, FTP and/or DHCP.
- The Internal Network Option of the Nexus Meter is an extremely versatile communication tool.
 - Adheres to IEEE 802.3 Ethernet standard using TCP/IP.
 - Utilizes simple and inexpensive 100BaseT wiring and connections.
 - Plugs right into your network using built-in RJ-45 jack.
 - Programmable to any IP address, subnet mask and gateway requirements.
 - Communicates using the industry standard Modbus/TCP protocol.

2.5.2: Hardware Connection

- Use Standard RJ-45 10/100BaseT cable to connect with the Nexus. The RJ-45 line is inserted into the RJ-45 Port on the face of the Nexus with IMP100 Ethernet Option.
- To make the **software connection**, use the following steps.
 1. Using Port 1 or Port 4 (RS-485 connection), connect a PC to the meter. An RS-232/RS-485 Converter may be required (Example: Electro Industries Unicom 2500).
 2. Double click on Communicator EXT Software to open.
 3. Click the Quick Connect or the Connection Manager icon in the icon tool bar. Click the Serial Port button. Make sure data matches the meter then click Connect.
- Set the Network Settings using the following steps:
(Refer to Section 3.6 of the *Communicator EXT User Manual* for more details).
 1. From the Device Profile screen, double-click on the Communications Ports line, then double-click on any of the ports. The Device Profile Communications Settings screen appears.

2. If you are going to use **DHCP**, click the **Advanced Settings Button**:

Click the tab at the top of the DHCP screen. Click Enable.

DHCP will automatically enter the IP Address and some or all of the Interface Settings. Click OK at the bottom of the screen to return to the Device Profile: Communication Ports screen. You may have to manually enter DNS, Email, Gateway Setting and/or a Unique Computer Name. Click OK.

3. If you are **NOT using DHCP**, in the Network Settings section, enter data provided by your systems manager:

IP Address:	10.0.0.1	(Example)
Subnet Mask:	255.255.255.0	(Example)
Default Gateway:	0.0.0.0	(Example)
Computer Name:	NETWORK	(Example)

- Enter the **Domain Name Server and Computer Name**.

- **Customize Web Content**, if desired. Default Pages with an extensive array of readings comes with the meter. The content of the pages can be customized using FTP Client.

From the Device Profile: Communications Ports screen, click Advanced Settings. Click the FTP Client tab on the top of the folder. Using FTP, you can easily replace any file by using the SAME FILE NAME as the one you want to replace.

- Enter the **Email Server IP Address**. The Default Settings store **ONE Email Server IP Address** for administrative purposes or to send an alarm, if there is a problem. An **ADDITIONAL 8** can be configured with FTP Client.

- Update **FIRMWARE**, if needed, with TFTP protocol (see Appendix C).

- After the above parameters are set, Communicator EXT will connect via the network using a Device Address of "1" and the assigned IP Address using the following steps:

1. Double click on Communicator EXT icon to open.
2. Click the Connect icon in the icon tool bar. The Connect screen will appear.
3. Click the Network button at the top of the screen. The screen will change to one requesting the following information:

Device Address:	1
Host:	IP Address (per your network administrator). Example: 10.0.0.1
Network Port:	502
Protocol:	Modbus TCP

4. Click the Connect button at the bottom of the screen. Communicator EXT connects to the Nexus with the Host IP Address via the Network.

2.6: Measurements and Calculations

The Nexus 1250/1252 Meter measures many different power parameters. The following is a list of the formulas used to conduct calculations with samples for Wye and Delta services.

Samples for **Wye**: v_{an} , v_{bn} , v_{cn} , i_a , i_b , i_c , i_n

Samples for **Delta**: v_{ab} , v_{bc} , v_{ca} , i_a , i_b , i_c

■ Root Mean Square (RMS) of Phase to Neutral Voltages: n = number of samples

For **Wye**: $x = an, bn, cn$

$$V_{RMS_x} = \sqrt{\frac{\sum_{t=1}^n v_{x(t)}^2}{n}}$$

■ Root Mean Square (RMS) of Currents: n = number of samples

For **Wye**: $x=a, b, c, n$

For **Delta**: $x = a, b, c$

$$I_{RMS_x} = \sqrt{\frac{\sum_{t=1}^n i_{x(t)}^2}{n}}$$

■ Root Mean Square (RMS) of Phase to Phase Voltages: n = number of samples

For **Wye**: $x, y = an, bn$ or bn, cn or cn, an

$$V_{RMS_{xy}} = \sqrt{\frac{\sum_{t=1}^n (v_{x(t)} - v_{y(t)})^2}{n}}$$

For **Delta**: $xy = ab, bc, ca$

$$V_{RMS_{xy}} = \sqrt{\frac{\sum_{t=1}^n v_{xy(t)}^2}{n}}$$

■ **Power (Watts) per phase:**

For Wye: x = a, b, c

$$W_x = \frac{\sum_{t=1}^n v_{xn(t)} \bullet i_{x(t)}}{n}$$

■ **Apparent Power (VA) per phase:**

For Wye: x = a, b, c

$$VA_x = V_{RMS_{xN}} \bullet I_{RMS_x}$$

■ **Reactive Power (VAR) per phase:**

For Wye: x = a, b, c

$$VAR_x = \sqrt{VA_x^2 - Watt_x^2}$$

■ **Power (Watts) Total:**

For Wye:

$$W_T = W_a + W_b + W_c$$

For Delta:

$$W_T = \frac{\sum_{t=1}^n (v_{AB(t)} \bullet i_{A(t)} - v_{BC(t)} \bullet i_{C(t)})}{n}$$

■ **Reactive Power (VAR) Total:**

For Wye:

$$VAR_T = VAR_A + VAR_B + VAR_C$$

For Delta:

$$VAR_T \sqrt{(V_{RMS_{AB}} \bullet I_{RMS_A})^2 - \left[\frac{\sum_{t=1}^n v_{AB(t)} \bullet i_{A(t)}}{n} \right]^2} + \sqrt{(V_{RMS_{BC}} \bullet I_{RMS_C})^2 - \left[\frac{\sum_{t=1}^n v_{BC(t)} \bullet i_{C(t)}}{n} \right]^2}$$

■ **Apparent Power (VA) Total:**

For Wye:

$$VA_T = VA_A + VA_B + VA_C$$

For Delta:

$$VA_T = \sqrt{W_T^2 + VAR_T^2}$$

■ **Power Factor (PF):**

For Wye: x = A, B, C, T

For Delta: x = T

$$PF_x = \frac{Watt_x}{VA_x}$$

■ **Phase Angles:**

$$\angle = \cos^{-1}(PF)$$

■ **% Total Harmonic Distortion (%THD):**

For **Wye**: $x = V_{AN}, V_{BN}, V_{CN}, I_A, I_B, I_C$

For **Delta**: $x = I_A, I_B, I_C, V_{AB}, V_{BC}, V_{CA}$

$$THD = \frac{\sqrt{\sum_{h=2}^{127} (RMS_{x_h})^2}}{RMS_{x_1}}$$

■ **K Factor:** $x = I_A, I_B, I_C$

$$KFactor = \frac{\sum_{h=1}^{127} (h \cdot RMS_{x_h})^2}{\sqrt{\sum_{h=1}^{127} (RMS_{x_h})^2}}$$

■ **Watt hour (Wh):**

$$Wh = \sum_{t=1}^n \frac{W_{T(t)}}{3600_{\text{sec/hr}}}$$

■ **VAR hour (VARh):**

$$VARh = \sum_{t=1}^n \frac{VAR_{T(t)}}{3600_{\text{sec/hr}}}$$

2.7: Demand Integrators

Power utilities take into account both energy consumption and peak demand when billing customers. Peak demand, expressed in kilowatts (kW), is the highest level of demand recorded during a set period of time, called the interval. The Nexus 1250/1252 supports the following most popular conventions for averaging demand and peak demand: Thermal Demand, Block Window Demand, Rolling Window Demand and Predictive Window Demand. You may program and access all conventions concurrently with the Communicator EXT software (see the *Communicator EXT User Manual*).

- **Thermal Demand:** Traditional analog watt-hour (Wh) meters use heat-sensitive elements to measure temperature rises produced by an increase in current flowing through the meter. A pointer moves in proportion to the temperature change, providing a record of demand. The pointer remains at peak level until a subsequent increase in demand moves it again, or until it is manually reset. The Nexus 1250/1252 mimics traditional meters to provide Thermal Demand readings.

Each second, as a new power level is computed, a recurrence relation formula is applied. This formula recomputes the thermal demand by averaging a small portion of the new power value with a large portion of the previous thermal demand value. The proportioning of new to previous is programmable, set by an averaging interval. The averaging interval represents a 90% change in thermal demand to a step change in power.

- **Block (Fixed) Window Demand:** This convention records the average (arithmetic mean) demand for consecutive time intervals (usually 15 minutes).

Example: A typical setting of 15 minutes produces an average value every 15 minutes (at 12:00, 12:15, 12:30, etc.) for power reading over the previous fifteen minute interval (11:45-12:00, 12:00-12:15, 12:15-12:30, etc.).

- **Rolling (Sliding) Window Demand:** Rolling Window Demand functions like multiple overlapping Block Window Demands. The programmable settings provided are the number and length of demand subintervals. At every subinterval, an average (arithmetic mean) of power readings over the subinterval is internally calculated. This new subinterval average is then averaged (arithmetic mean), with as many previous subinterval averages as programmed, to produce the Rolling Window Demand.

Example: With settings of 3 five-minute subintervals, subinterval averages are computed every 5 minutes (12:00, 12:05, 12:10, etc.) for power readings over the previous five-minute interval (11:55-12:00, 12:00-12:05, 12:05-12:10, 12:10-12:15, etc.). Further, every 5 minutes, the subinterval averages are averaged in groups of 3 (12:00, 12:05, 12:10, 12:15, etc.) to produce a fifteen (5x3) minute average every 5 minutes (rolling (sliding) every 5 minutes) (11:55-12:10, 12:00-12:15, etc.).

- **Predictive Window Demand:** Predictive Window Demand enables the user to forecast average demand for future time intervals. The Nexus uses the delta rate of change of a Rolling Window Demand interval to predict average demand for an approaching time period. The user can set a relay or alarm to signal when the Predictive Window reaches a specific level, thereby avoiding unacceptable demand levels. The Nexus 1250/1252 calculates Predictive Window Demand using the following formula:

2.8: Nexus External I/O Modules (Optional)

The following multiple analog or digital I/O modules mount externally to the Nexus 1250/1252 Monitor. The Nexus 1250/1252 Monitor supports up to four I/O modules using internal power. Use the additional power supply, EIG PSIO, to extend I/O capability. See section 3.4 for mounting diagrams. See Chapter 9 for details on installation and usage of the Nexus External I/O Modules.

■ Analog Transducer Signal Outputs (Up to two modules can be used with the Nexus 1250/1252.)

- 1mAON4: 4 Analog Outputs, self powered, scalable, bidirectional.
- 1mAON8: 8 Analog Outputs, self powered, scalable, bidirectional.
- 20mAON4: 4 Analog Outputs, self powered, scalable.
- 20mAON8: 8 Analog Outputs, self powered, scalable.

■ Analog Transducer Inputs (Multiple modules can be used.)

- 8AI1: 8 Analog Inputs 0–1mA, scalable and bidirectional.
- 8AI2: 8 Analog Inputs 0–20mA, scalable.
- 8AI3: 8 Analog Inputs 0–5V DC.
- 8AI4: 8 Analog Inputs 0–10V DC.

■ Digital Dry Contact Relay Outputs (Multiple modules can be used.)

- 4RO1: 4 Relay Outputs 10 Amps, 125V AC, 30V DC, Form C.

■ Digital Solid State Pulse Outputs (Multiple modules can be used.)

- 4PO1: 4 Solid State Pulse Outputs, Form A KYZ pulses.

■ Digital Inputs (Multiple modules can be used.)

- 8DI1: 8 Digital status inputs Wet/Dry Auto Detect, up to 300V AC/DC.

■ Other I/O Accessories

- PSIO: Additional power supply for up to six I/O modules. This unit is necessary if you are connecting more than four I/O modules to a Nexus 1250/1252 Monitor.
- MBIO: Bracket for surface-mounting I/O modules to any enclosure.

2.9: Nexus 1250/1252 Meter Specifications

Specification	Nexus Meter
Control Power Requirements	Option D: 24V DC (-20%) – 48V DC (+20%) Option D2: 120V AC/DC (-20%) – 230V AC (+20%)
Input Voltage Range	150 Volts Phase to Neutral (Standard; for use with PTs) 300 Volts Phase to Neutral (Option -G)
Input Current Range	10A Maximum (Programmable to any CT Ratio) Current: Continuous 200% Rated
Input Withstanding Capabilities	Current: Surge 10x maximum input for 3 seconds Surge Withstanding Per IEEE C37.90.1
Burden	Voltage: 0.05VA @ 120V rms Current: 0.002VA @ 5A rms
I/O Isolation	2500V DC, 60 Hz
Sensing Method	RMS
Update Time	90 msec
Frequency Range	Fundamental 20–65 Hz Up to 83rd Harmonic Measuring Capability
Dimensions (HxWxL)	3.4 x 7.3 x 10.5 inches / 8.6 x 18.5 x 26.6 centimeters
Maximum Power Consumption	40 watts (with optional modules and display)
Nominal Power Consumption	Approximately 12 watts (without optional modules and display)
Operating Temperature	-40°C to +80°C / -40°F to +176°F
Auxiliary Output Power Voltage	15–20 V DC at 50–200mA
Maximum Auxiliary Power Current	1.6A (short protected)
UL Listing	1244* *Not evaluated for accuracy, reliability or capability to perform intended function.
Flicker (1252)	Evaluation per IEC 61000-4-15

2.10: Nexus P40N, P41N, P43N LED External Display Specifications

Specification	Nexus P40N, P41N, P43N LED External Display
Maximum Input Voltage	30V DC
Minimum Input Voltage	7V DC
Maximum Power Consumption	8 Watts
Nominal Power Consumption	Approximately 6 Watts
Operating Temperature Range	-40°C to + 80°C / -40°F to +176°F
Overall Dimensions (HxWxL)	2.2 x 4.4 x 4.4 in / 5.9 x 11.1 x 11.1 cm

2.11: Nexus P60N Touch Screen Display Specifications

Specification	Nexus P60N Touch Screen Display
Maximum Input Voltage	30V DC
Minimum Input Voltage	10V DC
Maximum Power Consumption	5 Watts
Nominal Power Consumption	Approximately 4.5 Watts
Operating Temperature Range	0°C to + 50°C / +32°F to +122°F
Overall Dimensions (HxWxL)	1.6 x 5.4 x 8.0 in / 4.0 x 13.7 x 20.3 cm

Chapter 3

Hardware Installation

3.1: Mounting the Nexus 1250/1252 Meter

- The Nexus 1250/1252 Meter is designed to mount against any firm, flat surface. Use a #10 screw in each of the four slots on the flange to ensure that the unit is installed securely. For safety reasons, mount the Meter in an **enclosed and protected environment**, such as in a switchgear cabinet. Install a **switch or circuit breaker** nearby; label it clearly as the meter's disconnecting mechanism.
NOTE: The Nexus Meter with Internal Modem Option mounts the same way.

- Maintain the following conditions:
 - Operating Temperature: -40°C to $+70^{\circ}\text{C}$ / -40°F to $+158^{\circ}\text{F}$
 - Storage Temperature: -45°C to $+85^{\circ}\text{C}$ / -49°F to $+185^{\circ}\text{F}$
 - Relative Humidity: 5 to 95% non-condensing

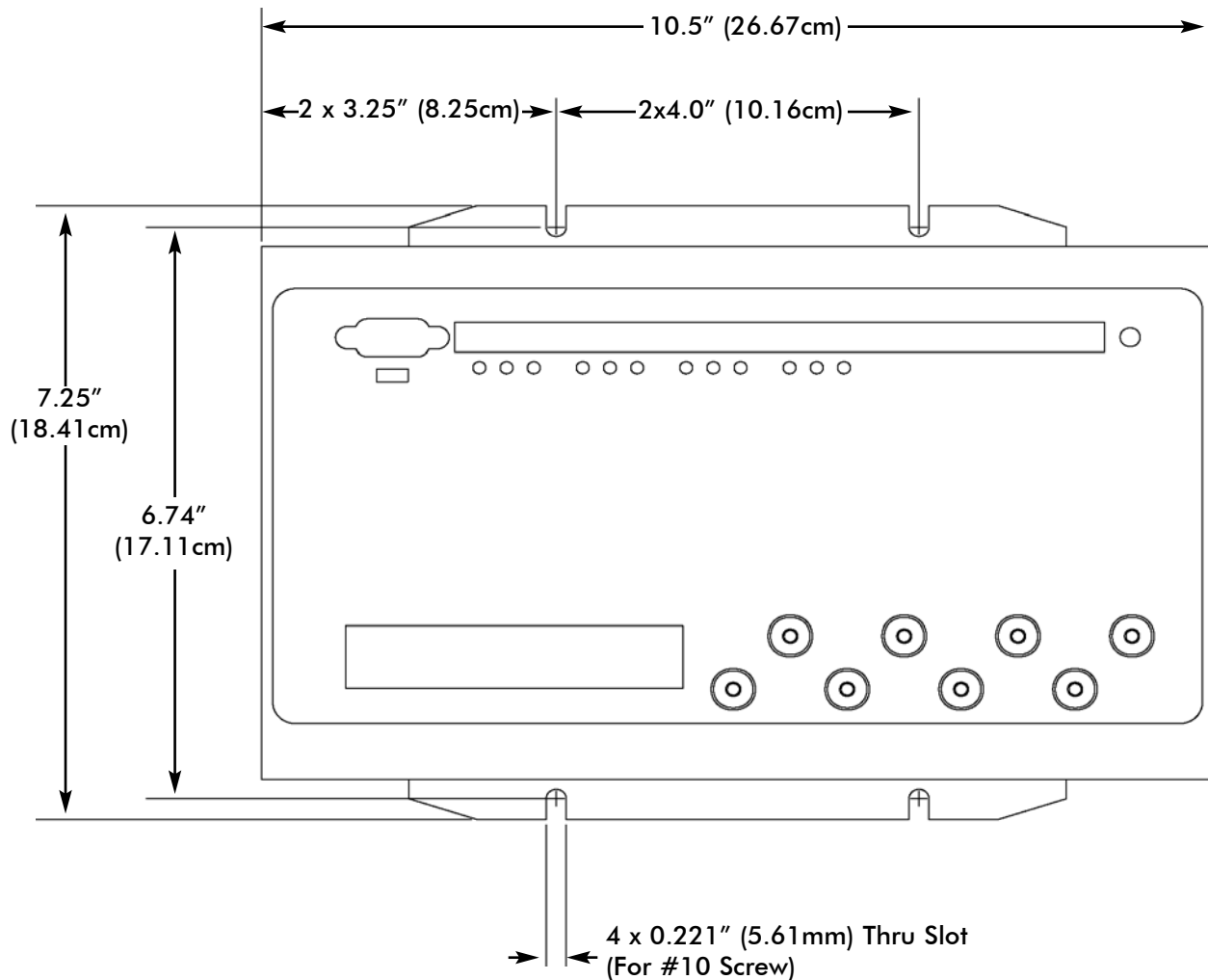


Figure 3.1: Nexus Meter Mounting Diagram, Top View

Nexus Meter Mounting Diagram, Side View

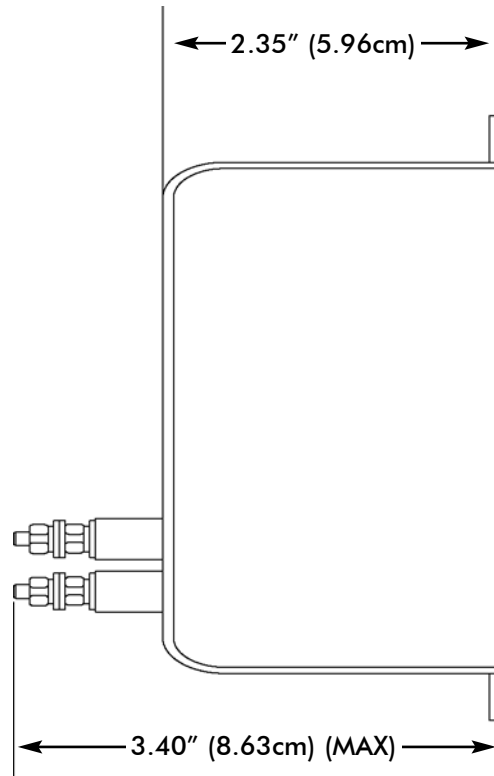


Figure 3.2

3.2: Mounting the Nexus LED External Displays

- The Nexus 1250/1252 LED Displays, Model # P40N, P41N and P43N, mount using a standard ANSI C39.1 drill plan.
- Secure the four mounting studs to the back of the panel with the supplied nuts.
- Six feet of RS-485 communication/power cable harness is supplied. Allow for at least a 1.25-inch (3.17cm) diameter hole in the back for the cable harness. See Chapter 5 for communication and power supply details.
- The cable harness brings power to the display from the Nexus 1250/1252 Meter, which supplies 15–20V DC. The P40N (or P41N or P43N) can draw up to 500 mA in display test mode.

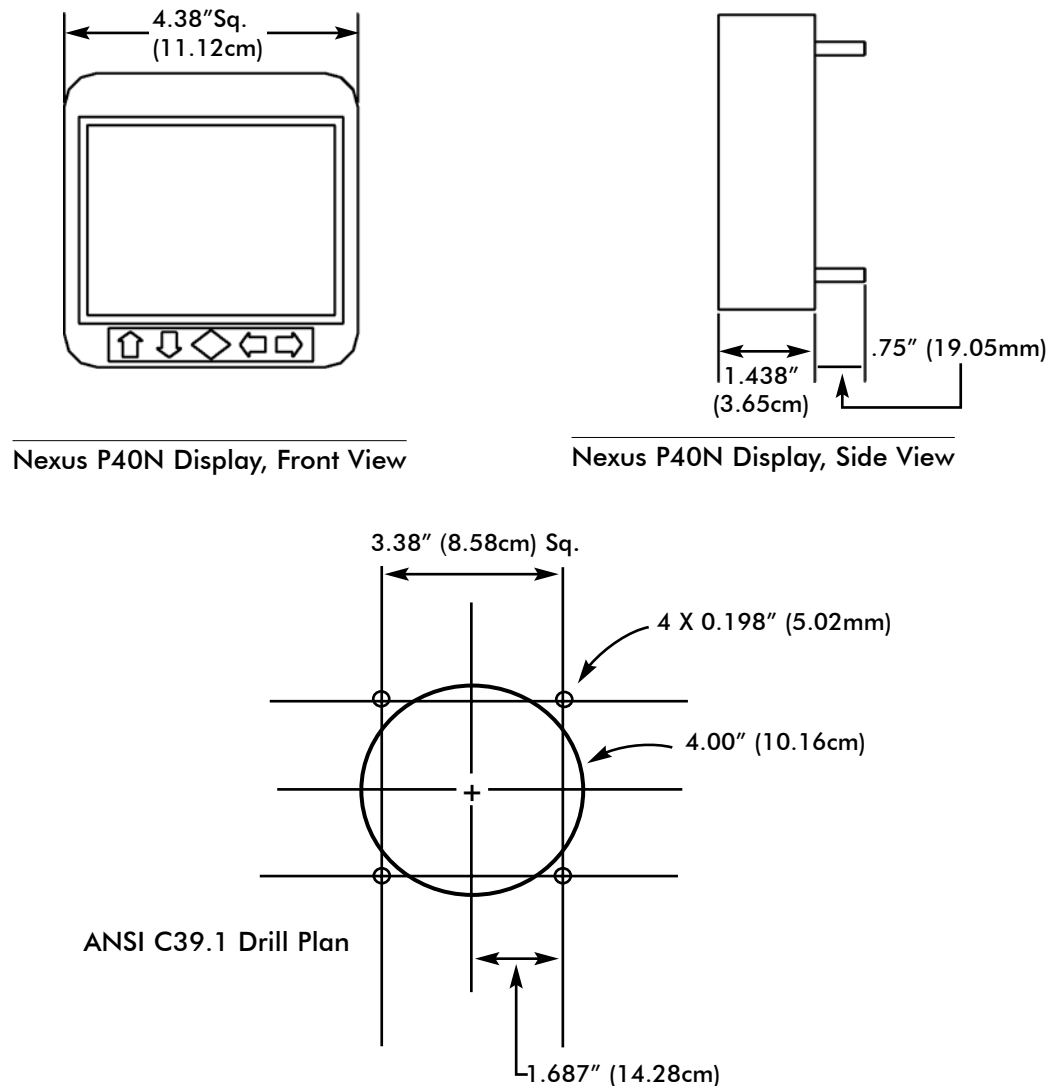


Figure 3.3: Nexus P40N LED External Display Mounting Diagrams

3.3: Mounting the Nexus P60N Touch Screen External Display

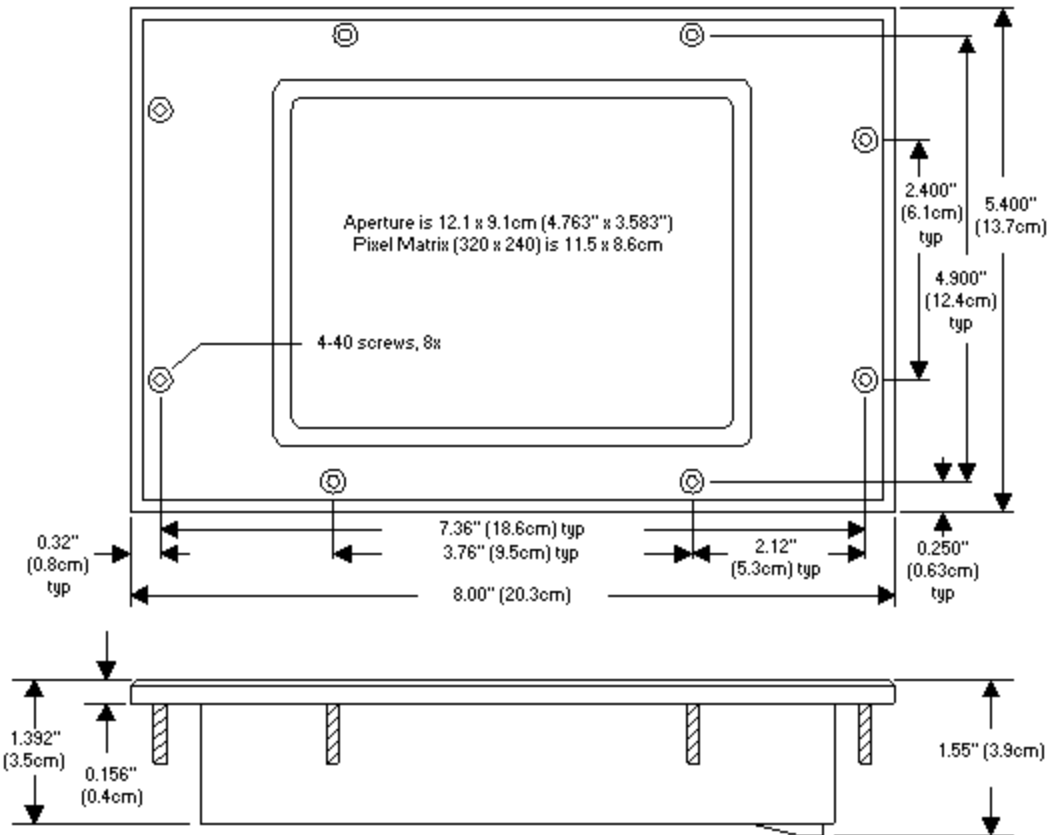


Figure 3.4: Nexus P60N Touch Screen Display Mounting Diagram

■ The Nexus 1250/1252 P60N Touch Screen Display mounts easily, using the diagrams above and on the next page. A bezel and a gasket are included with the P60N. Since the P60N employs an LCD display, the viewing angle must be considered when mounting. Install the P60N at a height and angle that make it easy for the operator to see and access the screen.

■ For optimum performance, maintain the following conditions where the Touch Screen Display is mounted:

- Operating Temperature: 0°C to +50°C / +32°F to +122°F
- Storage Temperature: -20°C to +70°C / -36°F to +158°F
- Relative Humidity: 25 to 65% non-condensing

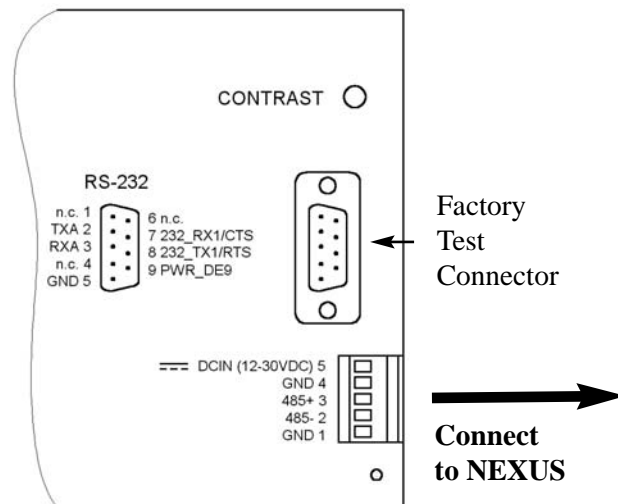


Figure 3.5: Nexus P60N Back Detail

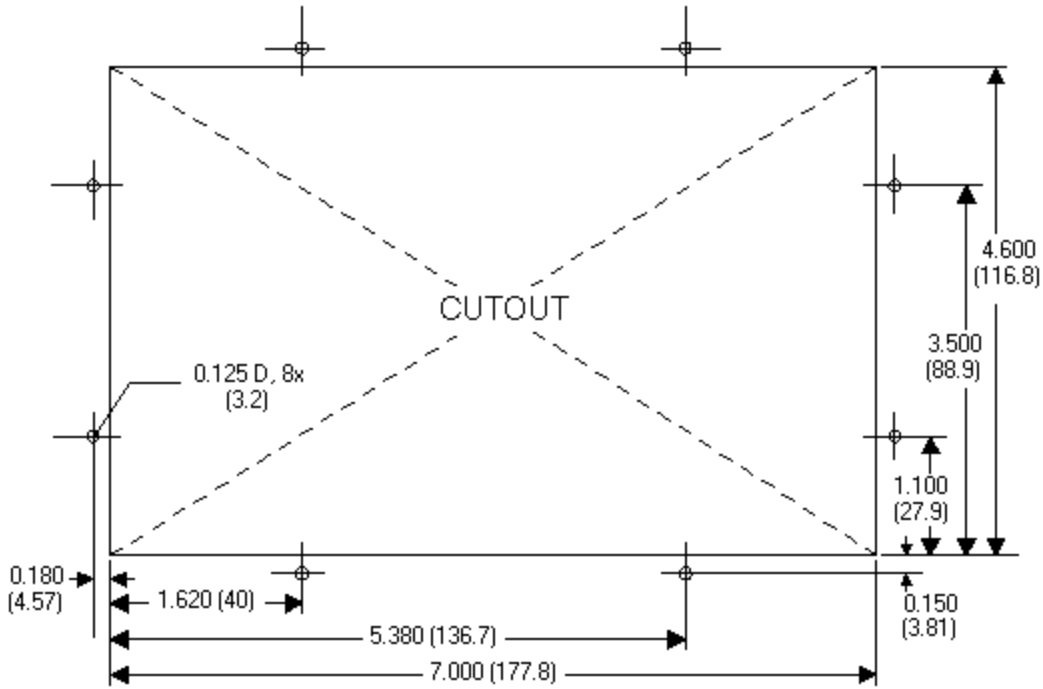


Figure 3.6: Cutout for Nexus P60N Touch Screen Display

- To bezel mount the P60N, cut an opening in the mounting panel. Follow above cutout dimensions.
- Carefully “drop in” the P60N with bezel and gasket attached.
- Fasten the unit securely with the four 6-32 hex nuts supplied.

3.4: Mounting the Nexus External I/O Modules

- Secure the mounting brackets to the I/O using the screws supplied (#440 pan-head screws). Next, secure the brackets to a flat surface using a #8 screw with a lock washer.
- If multiple I/O modules are connected together, as shown in Figure 3.4, secure a mounting bracket to both ends of the group. One Nexus will supply power for up to **four I/O modules**. To connect more than four I/O modules, use an additional power supply, such as the EIG PSIO. Connect multiple I/O modules using the RS-485 side ports.
- Six feet of RS-485 cable harness is supplied. The cable harness brings power to the display from the Nexus Meter, which supplies 15–20V DC at 50–200mA. See Chapter 5 for power supply and communication details.

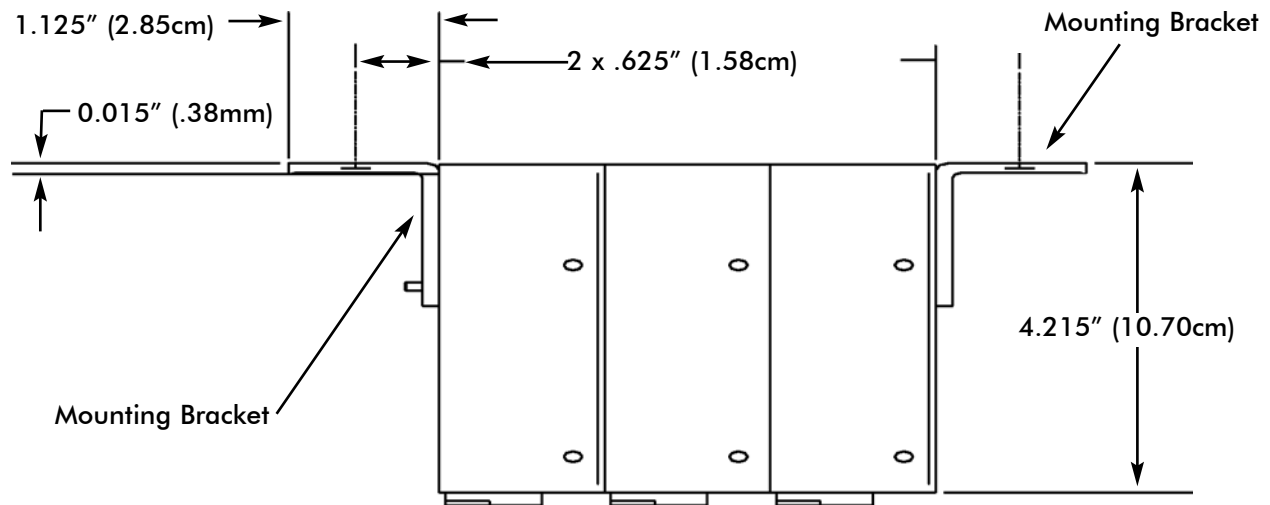


Figure 3.7: Nexus I/O Modules Mounting Diagram, Overhead View

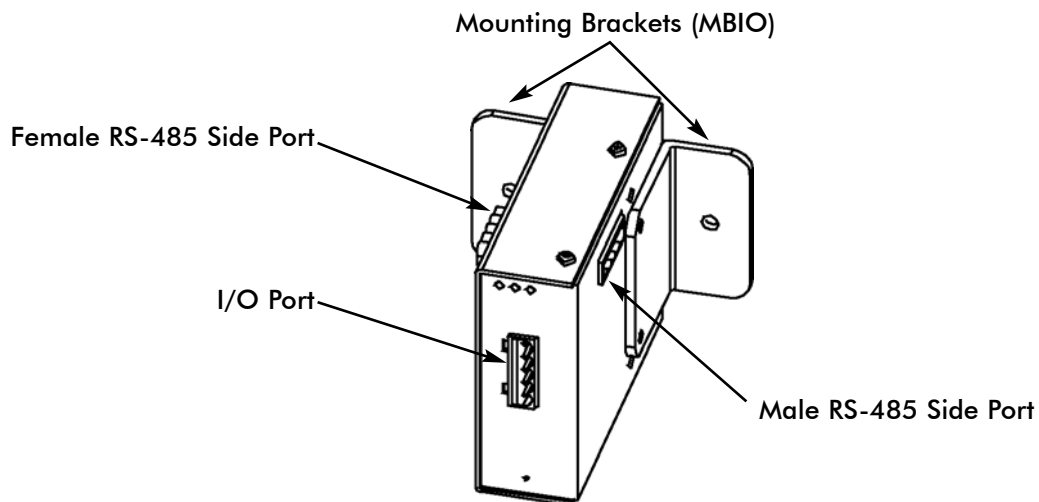


Figure 3.8: Nexus I/O Module Communication Ports

Nexus I/O Modules Mounting Diagram, Front View

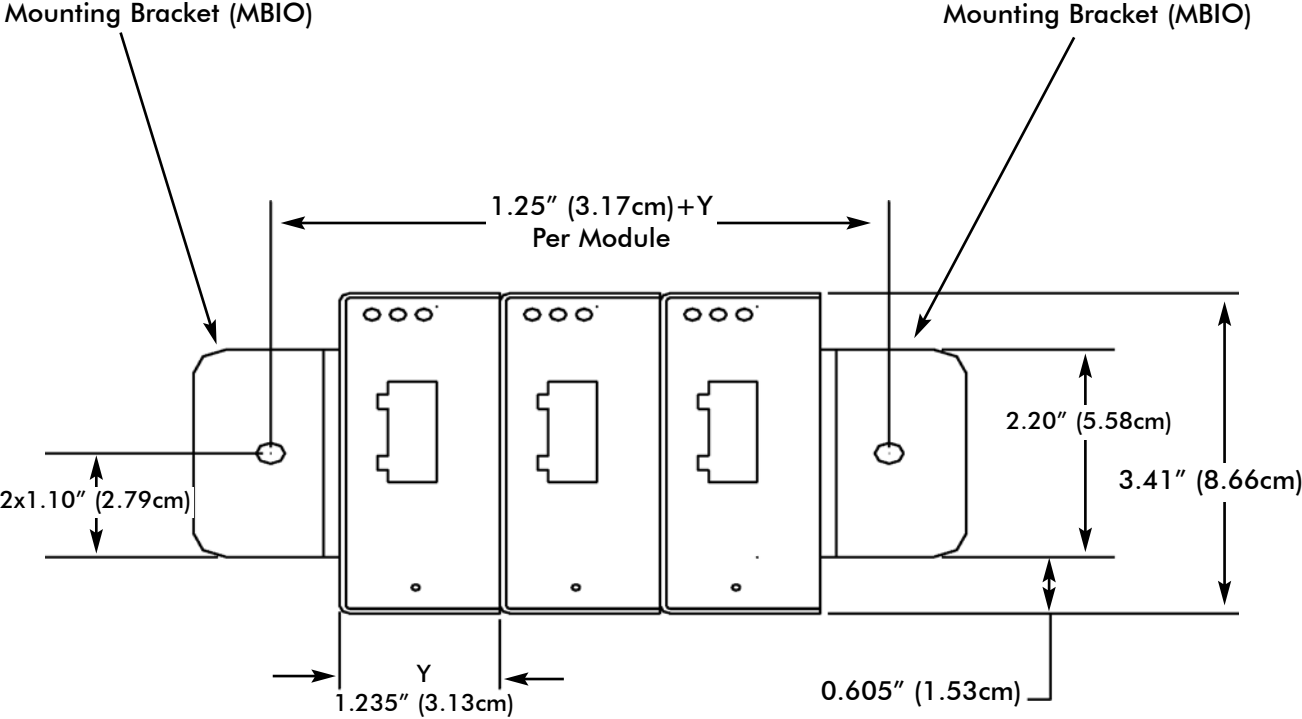


Figure 3.9

Chapter 4

Electrical Installation

4.1: Wiring the Monitored Inputs and Voltages

- Select a wiring diagram from Section 4.8 that best suits your application. Wire the Nexus 1250/1252 exactly as shown. For proper operation, the voltage connection must be maintained and must correspond to the correct terminal. Program the CT and PT Ratios in the Device Profile section of the Communicator EXT software; see the *Communicator EXT User Manual* for details.

The cable required to terminate the voltage sense circuit should have an insulation rating greater than 600V AC and a current rating greater than 0.1 Amp.

Use a minimum of 14 AWG wire for all phase voltage and current connections.

4.2: Fusing the Voltage Connections

- For accuracy of the readings and for protection, EIG requires using 0.25-Amp rated fuses on all voltage inputs as shown in the wiring diagrams (see section 4.8).

The Nexus Meter can handle a maximum voltage of 150V phase to neutral and 300V phase to phase. Potential Transformers (PTs) are required for higher voltages with the standard rating. With Option - G, the direct voltage input is extended to 300V phase to neutral and 600V phase to phase.

4.3: Wiring the Monitored Inputs - VRef

- The Voltage Reference connection references the monitor to ground or neutral.

4.4: Wiring the Monitored Inputs - VAux

- The Voltage Auxiliary connection is an auxiliary voltage input that can be used for any desired purpose, such as monitoring neutral to ground voltage or monitoring two different lines on a switch.

4.5: Wiring the Monitored Inputs - Currents

- Install the cables for the current at 600V AC minimum insulation. The cable connector should be rated at 10 Amps or greater and have a cross-sectional area of 14 AWG.
- Mount the current transformers (CTs) as close as possible to the meter. The following table illustrates the maximum recommended distances for various CT sizes, assuming the connection is via 14 AWG cable.

EIG Recommendations	
CT Size (VA)	Maximum Distance from CT to Nexus (Feet)
2.5	10
5.0	15
7.5	30
10.0	40
15.0	60
30.0	120

WARNING!!

DO NOT leave the secondary of the CT open when primary current is flowing. This may cause high voltage, which will overheat the CT. If the CT is not connected, provide a shorting block on the secondary of the CT.

- It is important to maintain the polarity of the CT circuit when connecting to the Nexus. If the polarity is reversed, the Nexus will not provide accurate readings. CT polarities are dependent upon correct connection of CT leads and the direction CTs are facing when clamped around the conductors. EIG recommends using shorting blocks to allow removal of the Nexus Meter from an energized circuit, if necessary. Shorting blocks are not required for proper meter operation.

4.6: Isolating a CT Connection Reversal

- For a WYE System, you may either:
 1. Check the current phase angle reading on the Nexus External Display (see Chapter 6). If it is negative, reverse the CTs.
 2. Or, go to the Phasors screen of the Communicator EXT software (see *Communicator EXT User Manual*). Note the Phase Relationship between the Current and Voltage; they should be in phase.
- For a DELTA System:

Go to the Phasors screen of the Communicator EXT software program. The current should be 30 degrees off the phase-to-phase voltage.

4.7: Instrument Power Connections

- The Nexus requires a separate power source. To use AC power, connect the line supply wire to the L+ terminal and the neutral supply wire to the N- terminal on the Nexus. To use DC power, connect the positive supply wire to the L+ terminal and the negative (ground) supply wire to the N- terminal on the Nexus. Power supply options and corresponding suffixes are listed in the following table:

Control Power	Option Suffix
18-60 Volts DC	D
90-276 Volts AC/DC	D2

- Do not ground the unit through the negative of the DC supply. Separate grounding is required.
- Externally fuse the power supply with a 5 Amp fuse.

4.8: Wiring Diagrams

- Choose the diagram that best suits your application. Diagrams appear on the following pages. If the connection diagram you need is not shown, contact EIG for a custom Connection diagram.
- **NOTE:** If you purchased a “G” Option Nexus for a 300 Volt secondary, be sure to enable the option on the CT and PT screen of the Communicator EXT software’s Device Profile (see the *Communicator EXT User Manual* for details).

Figure #	Description
4.1	4-Wire Wye, 3-Element Direct Voltage with 4 CTs
4.2	4-Wire Wye, 3-Element with 3 PTs and 4 CTs
4.3	4-Wire Wye, 3-Element with 3 PTs and 3 CTs
4.4	3-Wire, 2-Element Open Delta with 2 PTs and 3 CTs
4.5	3-Wire, 2-Element Open Delta with 2 PTs and 2 CTs
4.6	3-Wire, 2-Element Delta Direct Voltage with 3 CTs
4.7	3-Phase, 4-Wire Wye, 2.5 Element with 2 PTs and 3 CTs
4.8	4-Wire, 3-Element Grounded Delta with 4 CTs - G Option

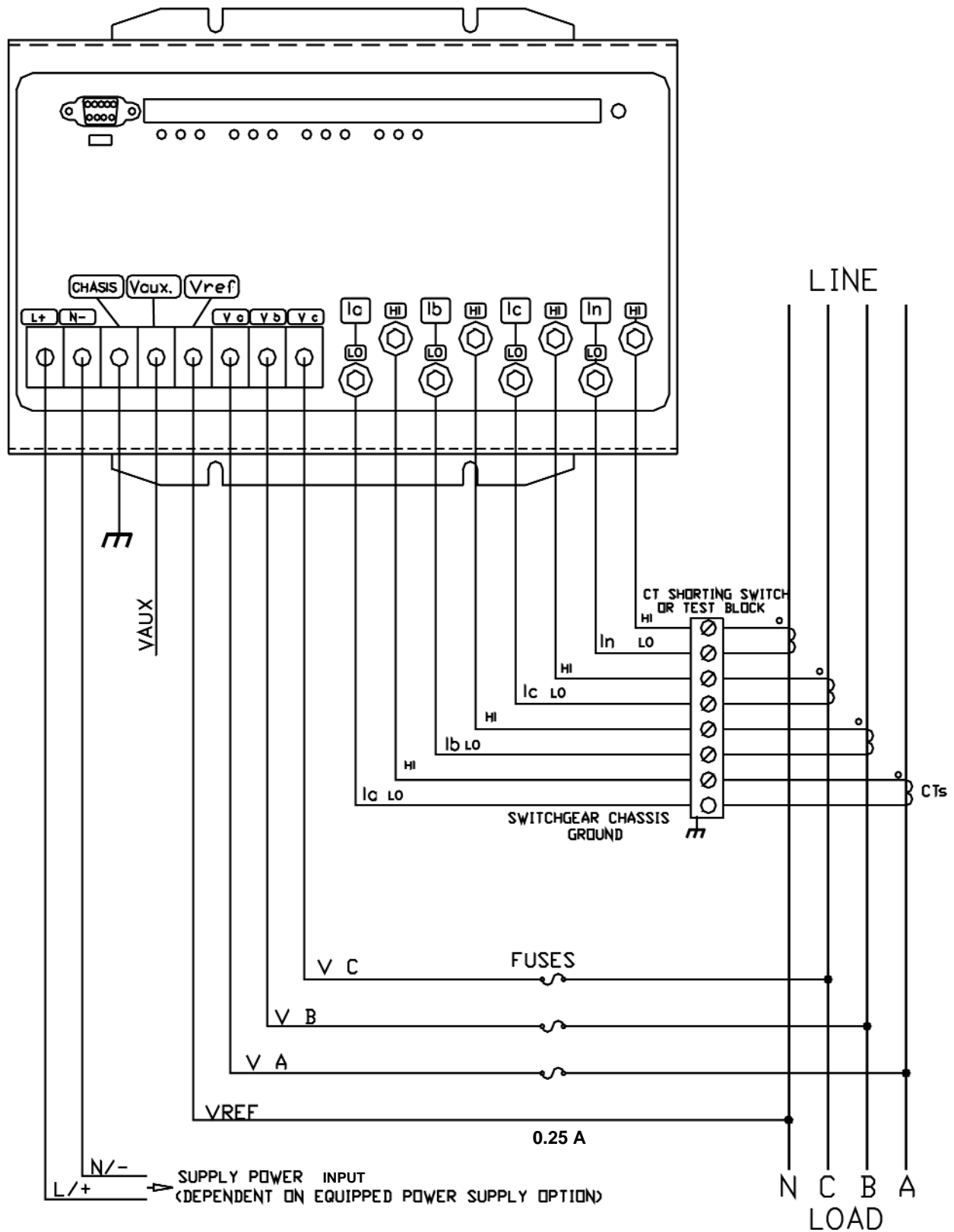


Figure 4.1: 4-Wire Wye, 3-Element Direct Voltage with 4 CTs

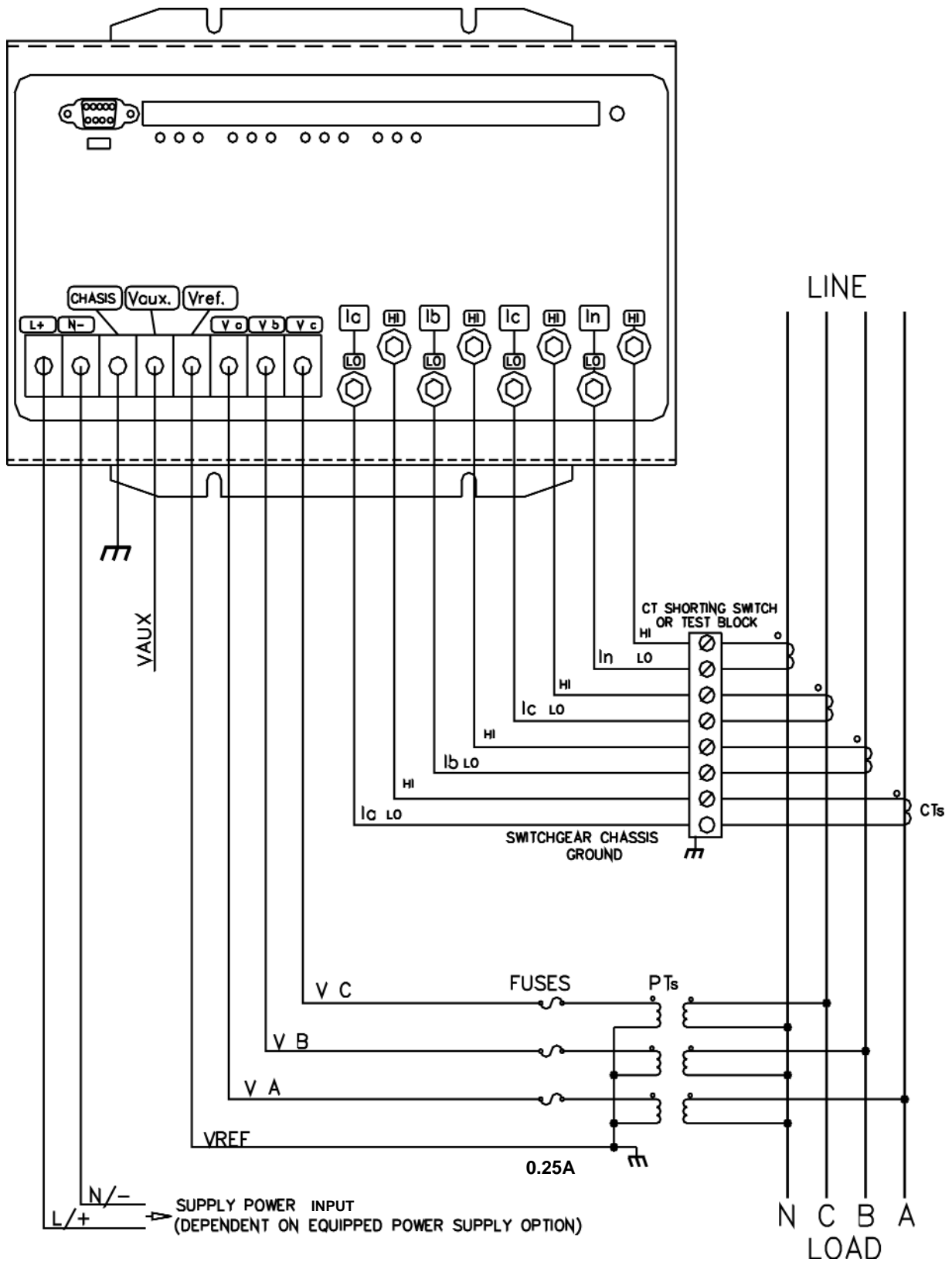


Figure 4.2: 4-Wire Wye, 3-Element with 3 PTs and 4 CTs

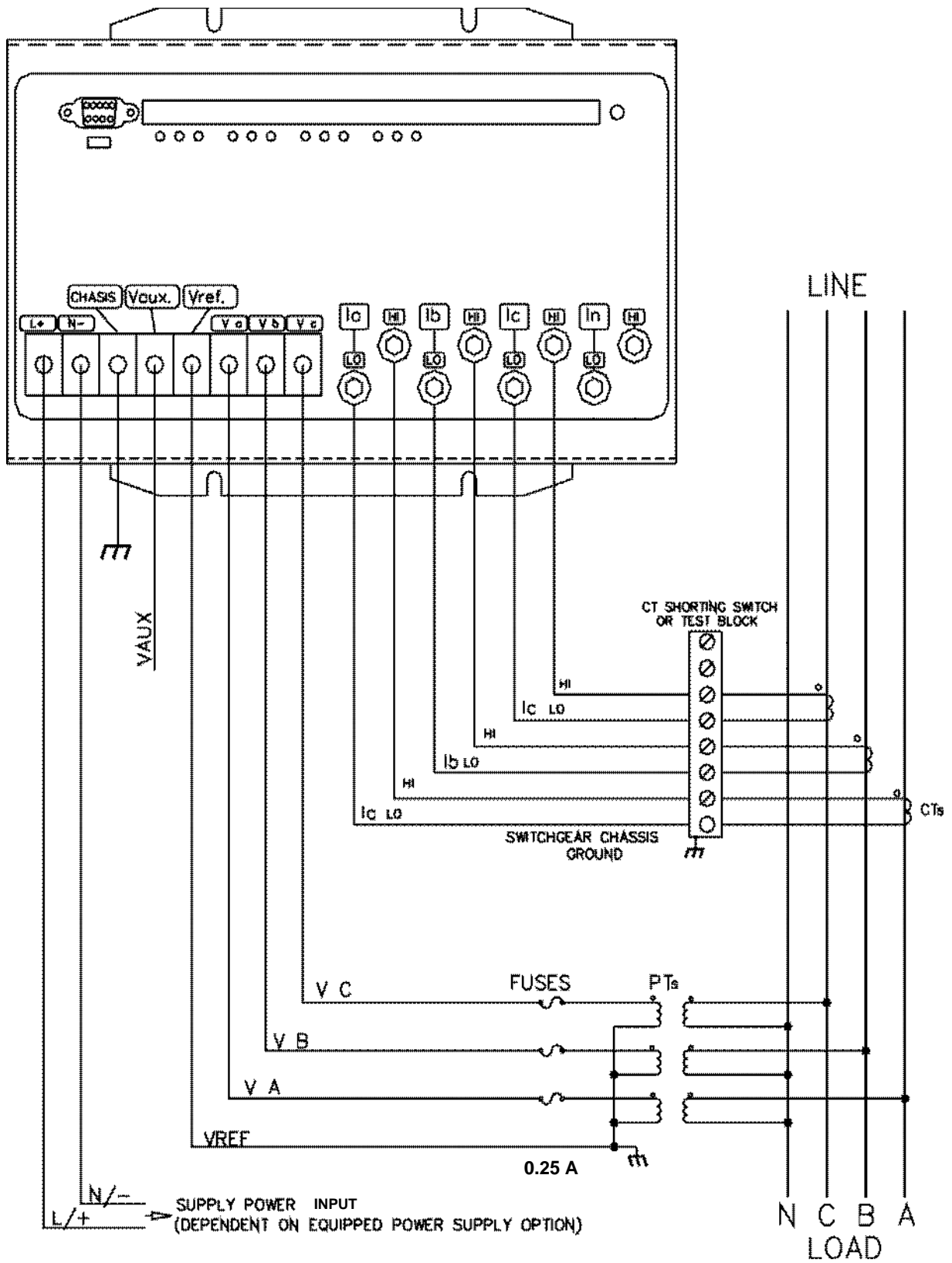


Figure 4.3: 4-Wire Wye, 3-Element with 3 PTs and 3 CTs

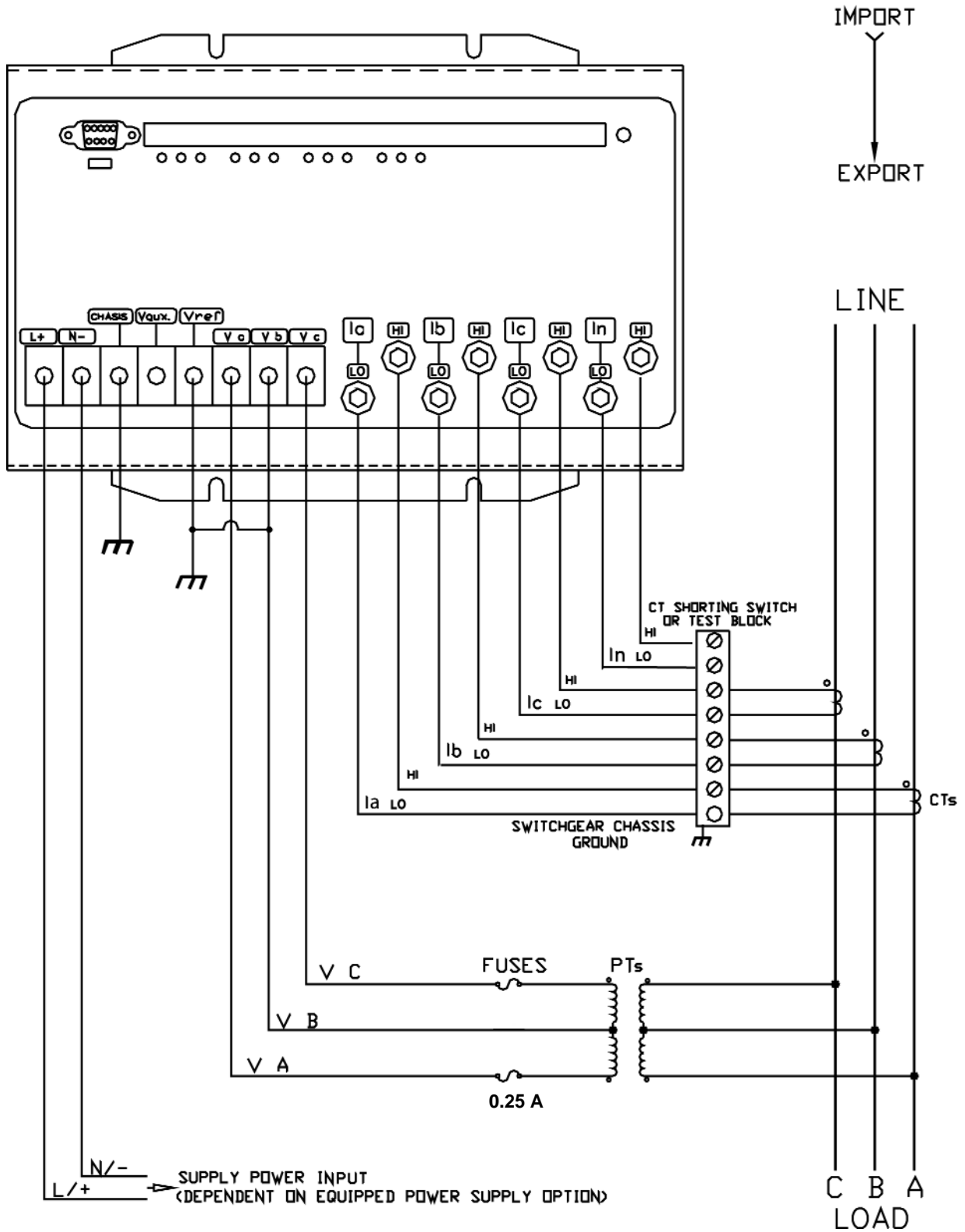


Figure 4.4: 3-Wire, 2-Element Open Delta with 2 PTs and 3 CTs.

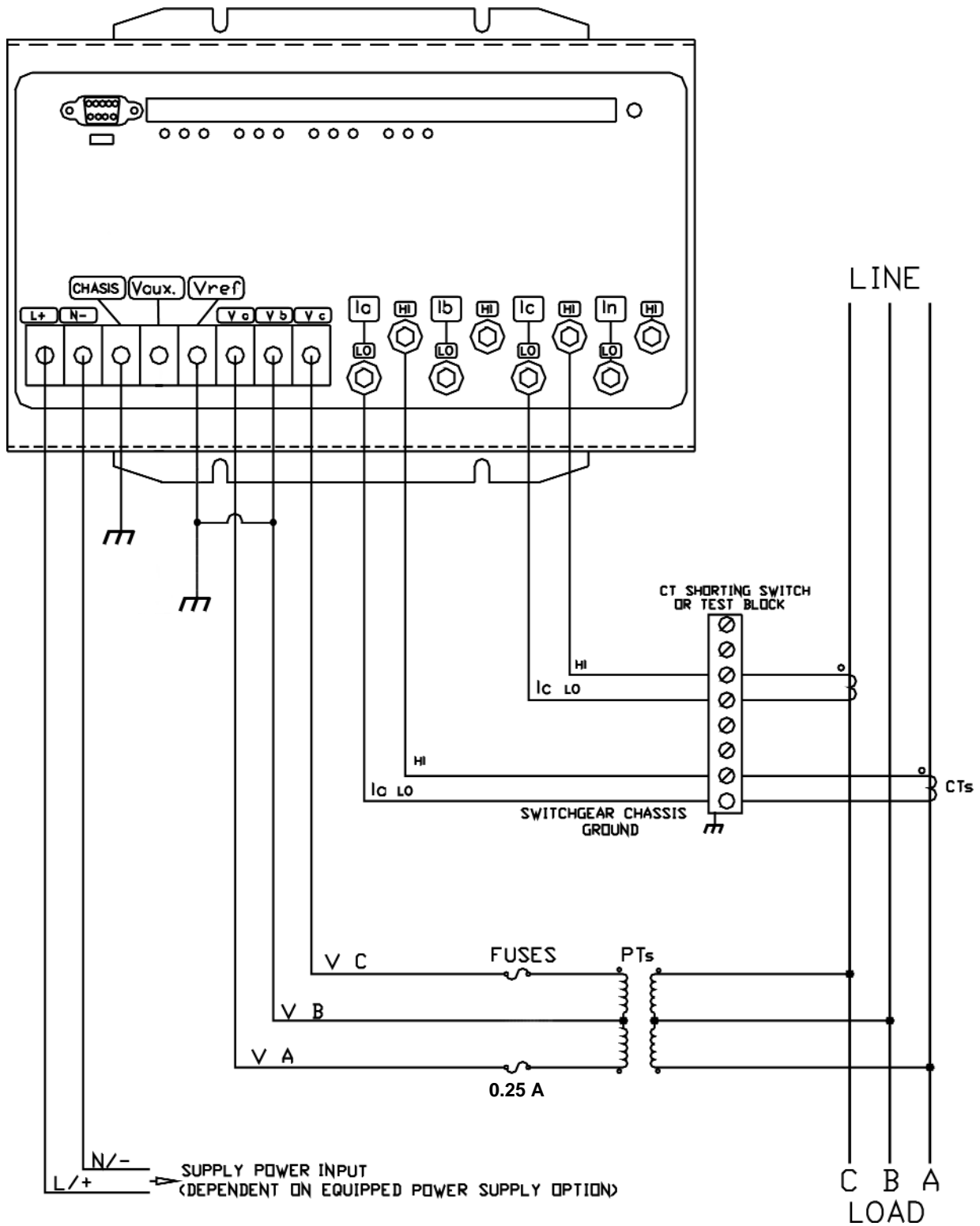


Figure 4.5: 3-Wire, 2-Element Open Delta with 2 PTs, 2 CTs.

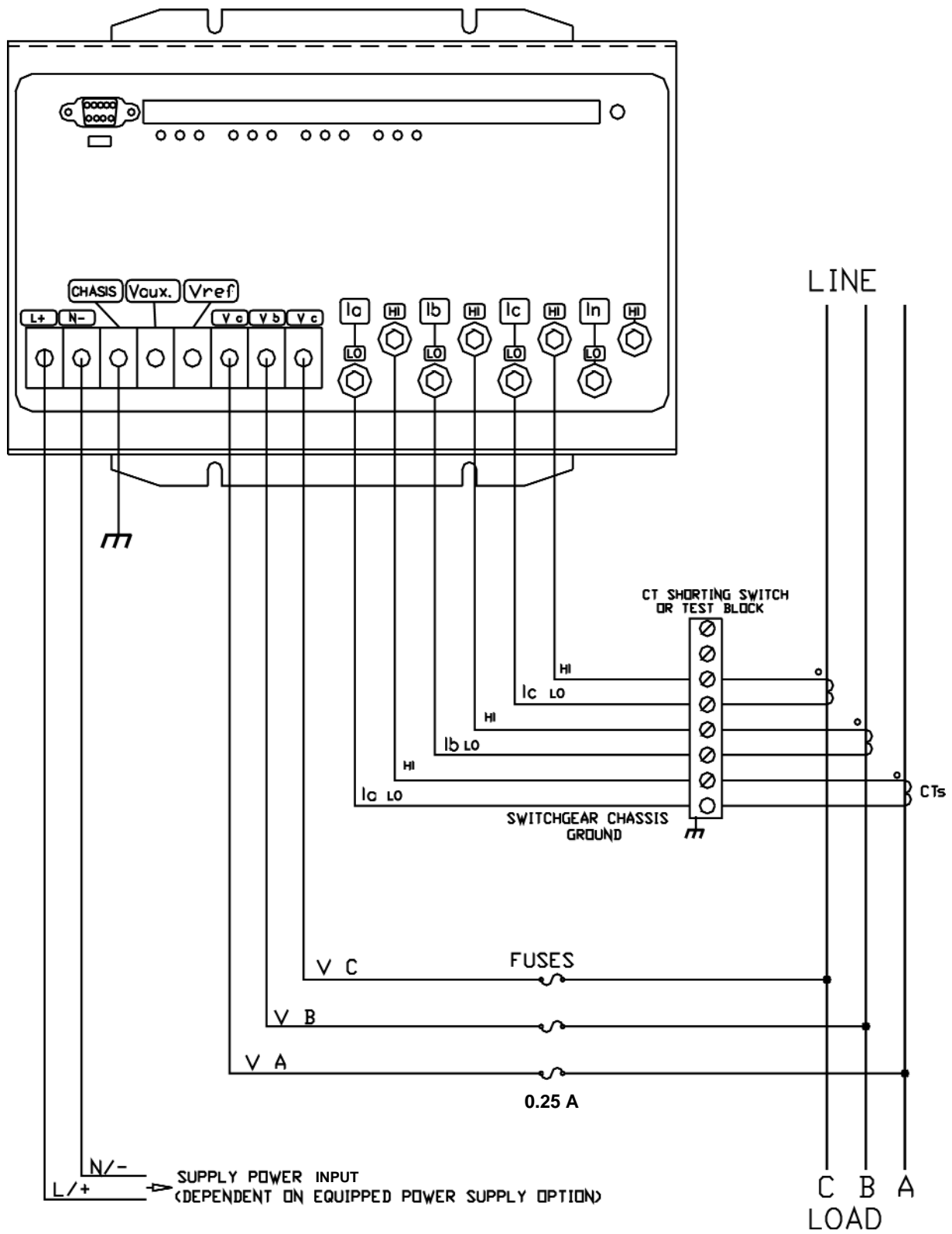


Figure 4.6: 3-Wire, 2-Element Delta Direct Voltage with 3 CTs.

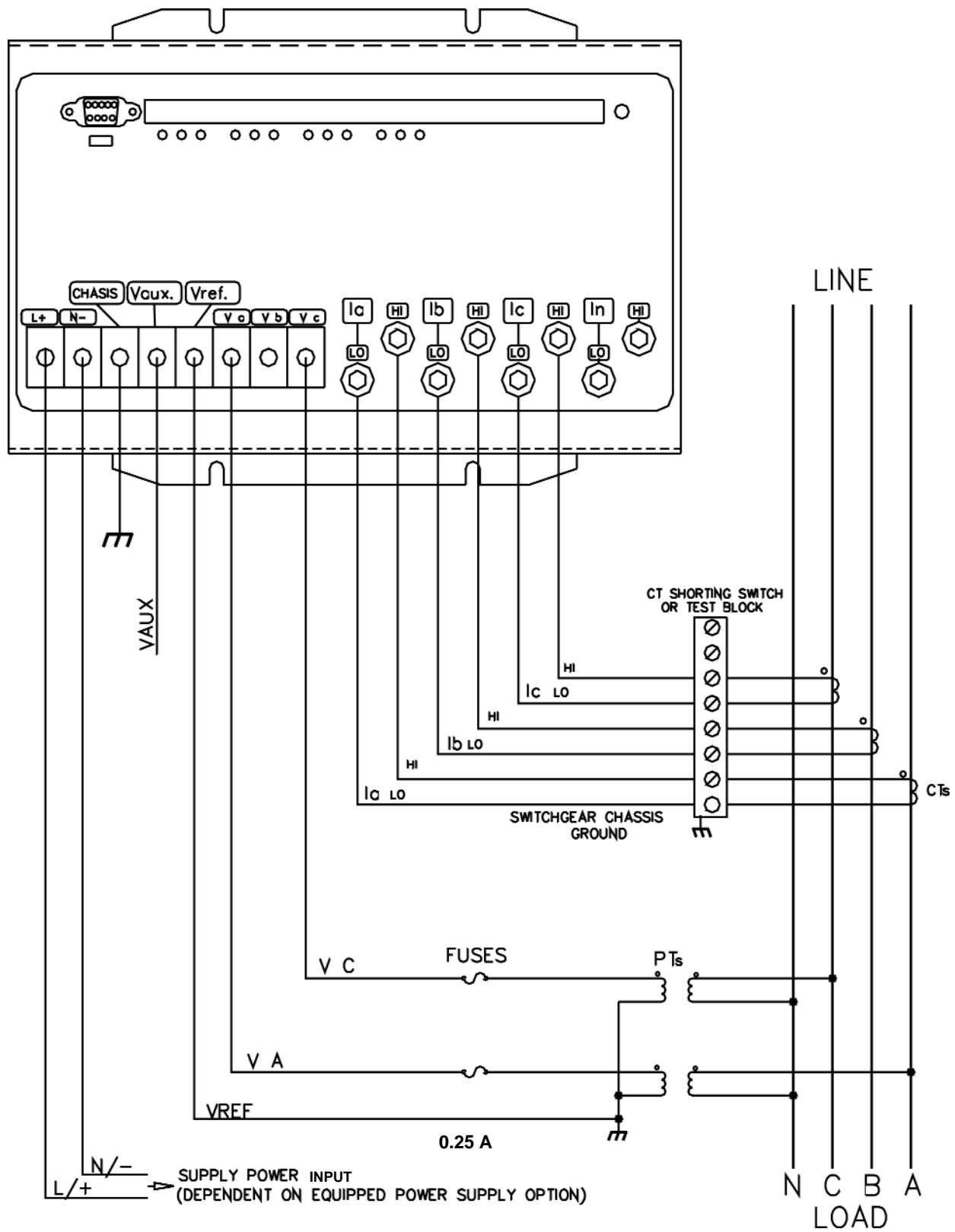


Figure 4.7: 3-Phase, 4-Wire Wye, 2.5 Element with 2 PTs, 3 CTs.

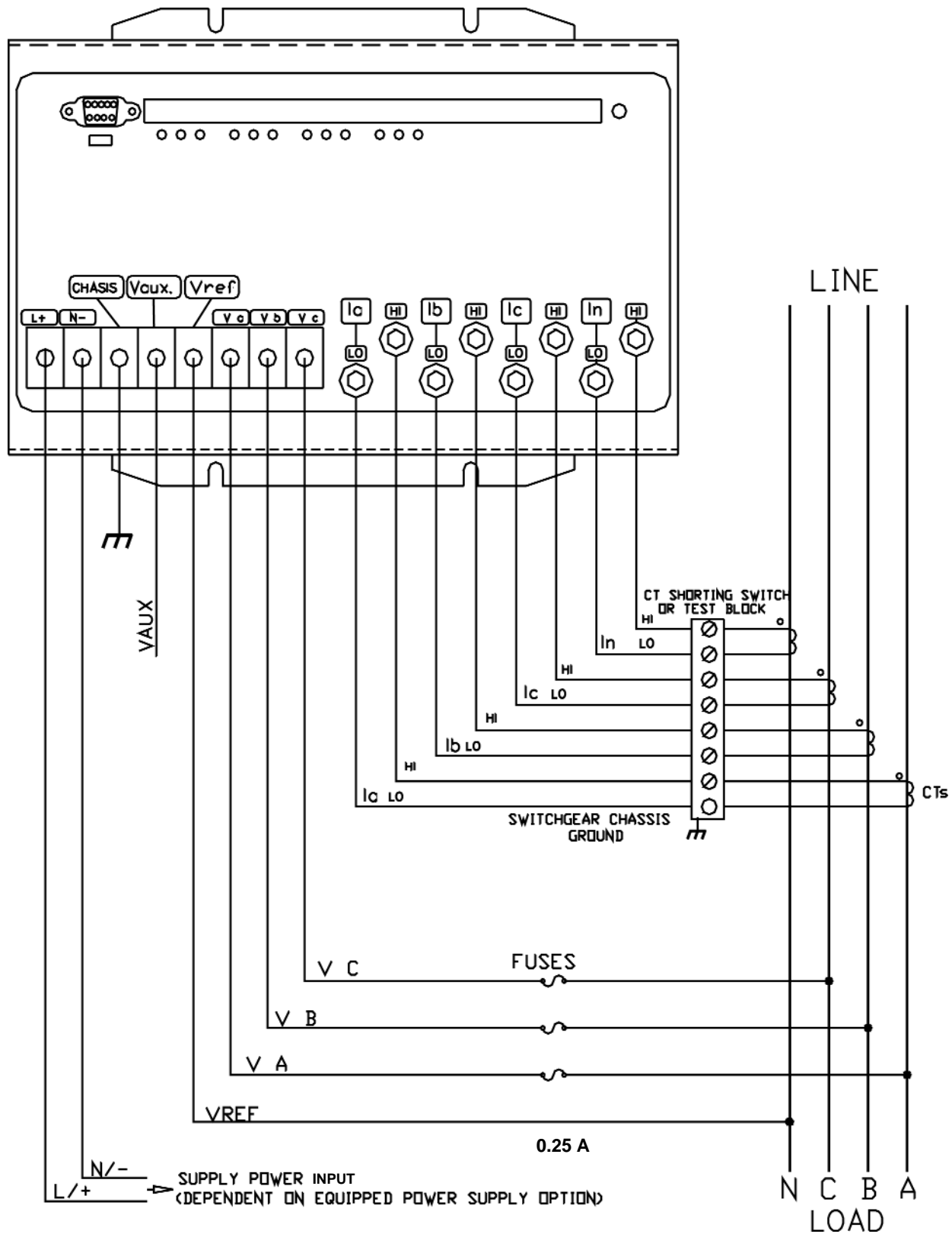


Figure 4.8: 4-Wire, 3-Element Grounded Delta with 4 CTs - G Option.

Chapter 5 Communication Wiring

5.1: Communication Overview

- RS-232 communication is used to connect a single Nexus 1250/1252 Meter with another device, such as a computer, RTU or PLC. The link is viable for a distance up to 50 feet (15.2 m) and is available only through the Nexus 1250/1252 Meter's Port 1. You must set the selector switch beneath the port to RS-232 (see Figure 5.3).
- RS-485 communication allows multiple Nexus Meters to communicate with another device at a local or remote site. The I/O modules and the Nexus Display use RS-485 to communicate with the Nexus Meter. All RS-485 links are viable for a distance up to 4000 feet (1220 m). Ports 1 through 4 on the Nexus 1250/1252 Meter are two-wire, RS-485 connections operating up to 115,200 baud. To use Port 1 for RS-485, set the selector switch to RS-485 (see Figure 5.3).

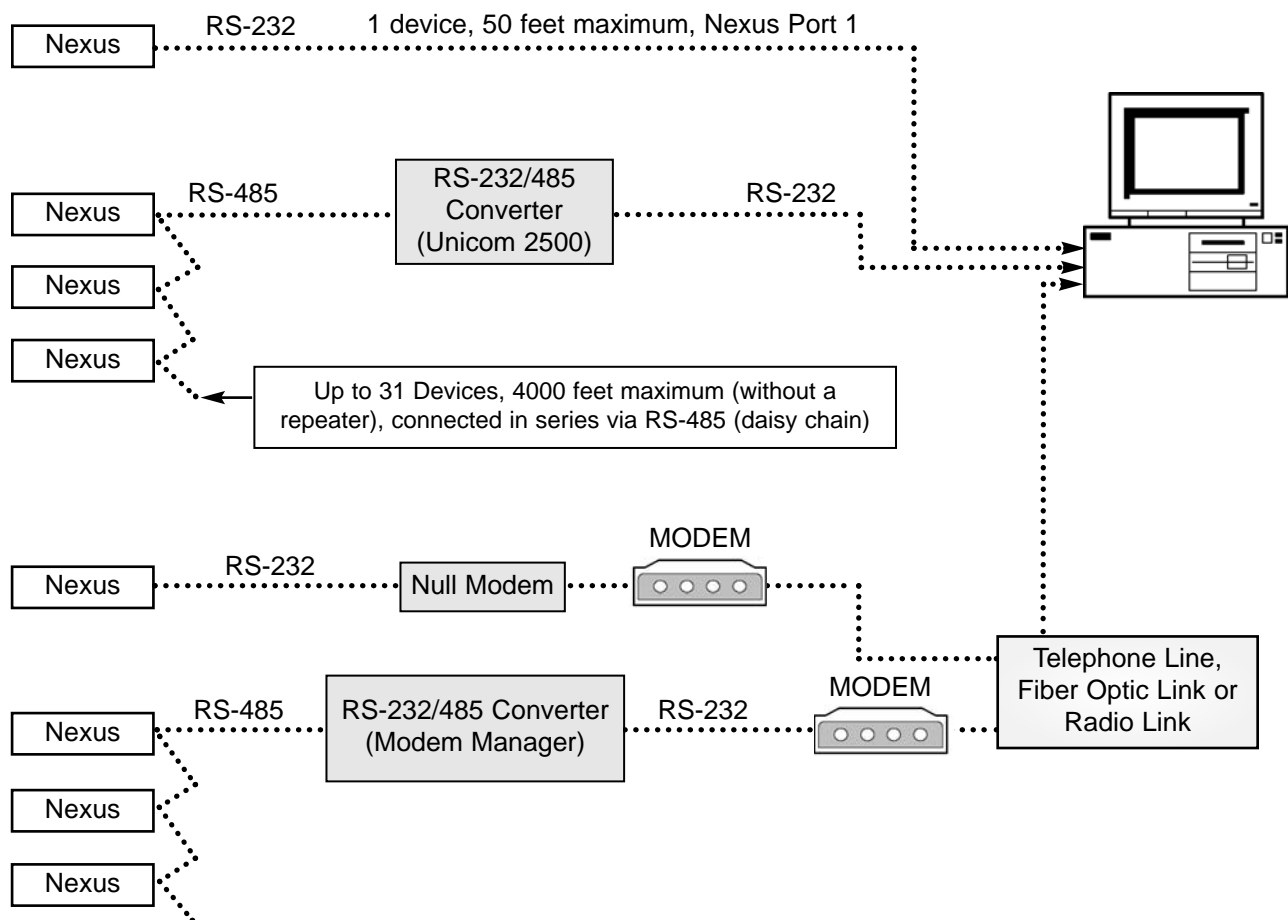


Figure 5.1: Communication Overview

- RJ-11 Telephone Line allows a Nexus Meter with the Internal Modem Option to communicate with a PC. No other hardware is necessary for this easy-to-use connection. The Nexus 1250/1252 Meter with the Internal Modem Option can connect via RS-485 to other Nexus Meters in local or remote sites in a daisy chain configuration, as depicted below.

The Nexus Meter with the Internal Modem Option has a unique label; Port 2 is labeled Modem Gateway. If you are going to use RS-485 to connect multiple Nexus 1250/1252 meters, you MUST use the Modem Gateway. For more details, see *Chapter 10* of this manual.

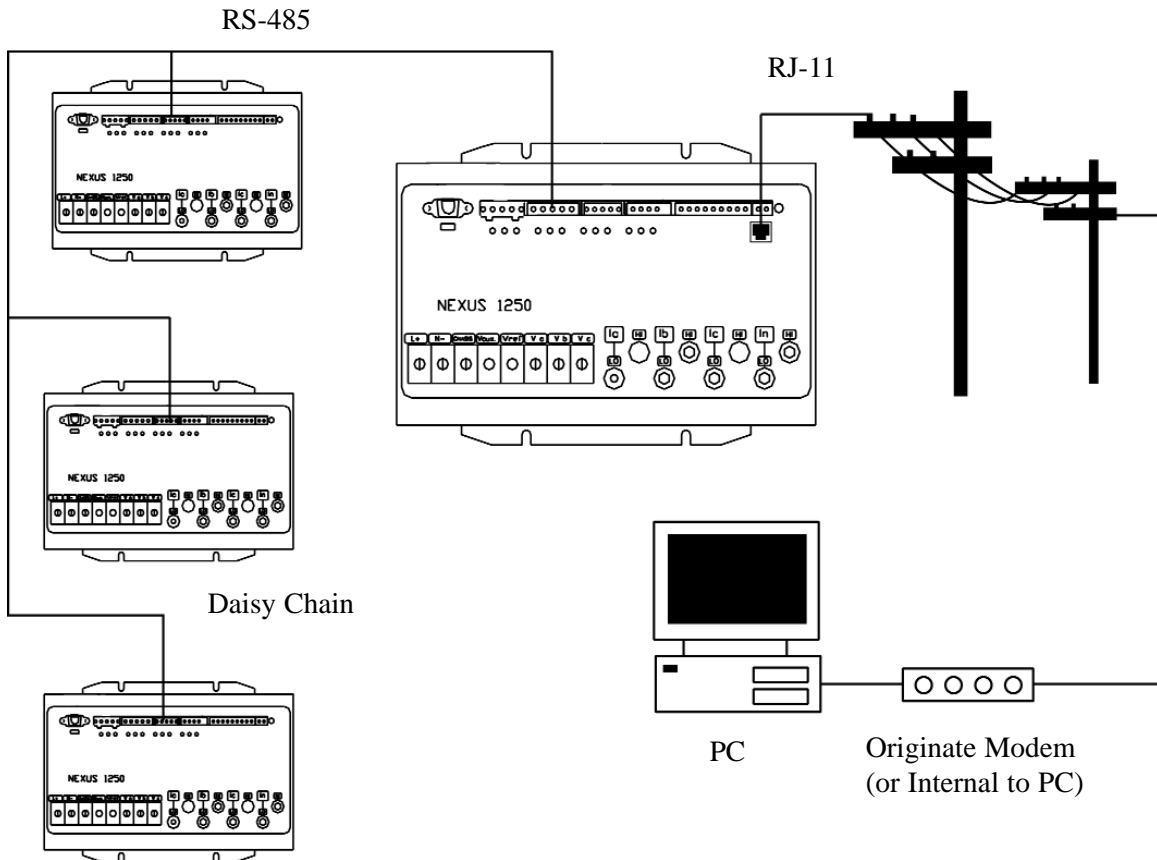


Figure 5.2: RJ-11 Communication with Internal Modem Option

- RJ-45 Network Connection allows a Nexus Meter with the Internal Network Option to communicate with multiple PC's concurrently. No other hardware is necessary for this easy-to-use connection. The Nexus Meter with the Internal Network Option can connect via RS-485 to other Nexus Meters in local or remote sites in a daisy chain configuration, as depicted below.

The Nexus 1250/1252 Meter with the Internal Network Option has a unique label; Port 2 is labeled Ethernet Gateway. If you are going to use RS-485 to connect multiple Nexus meters via the network, you MUST use the Ethernet Gateway. For more details, see *Chapter 11* of this manual.

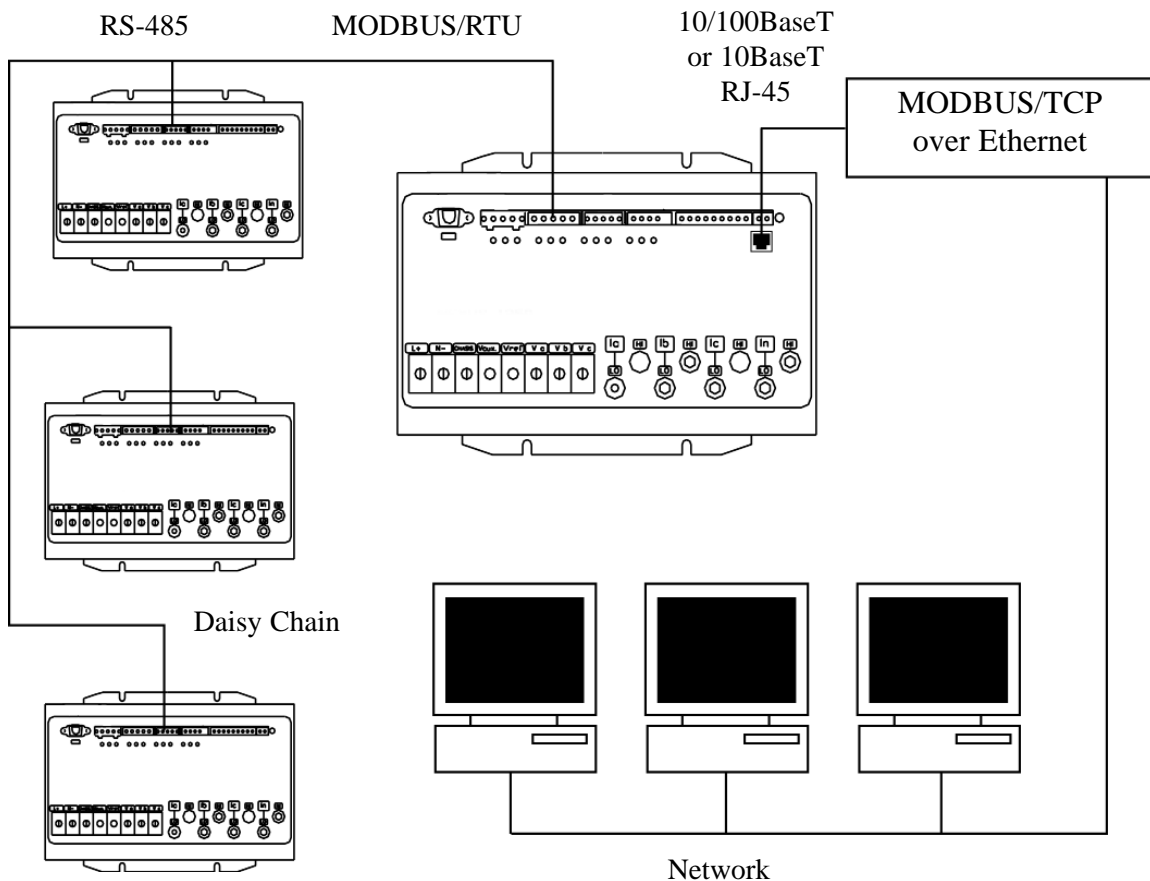
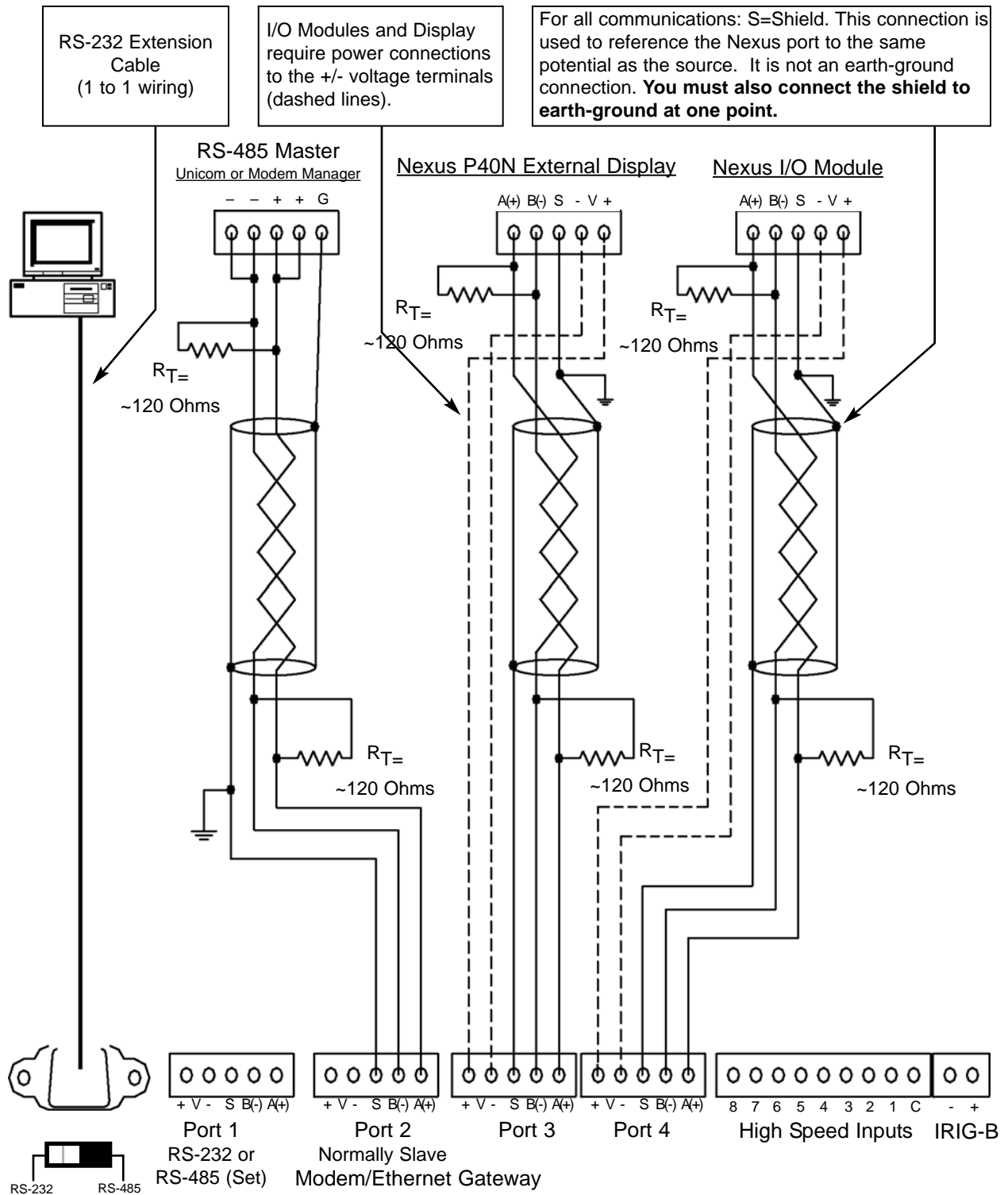


Figure 5.3: RJ-45 Communication with Internal Network Option



NOTE: You may use ANY port to connect a Nexus Display or RS-485 Master. However, if you are using the Internal Modem (or Network) Option, Port 2 is labeled Modem (Ethernet) Gateway. Ports 1, 3 and 4 DO NOT change. The I/O Modules MUST use Port 4 (Port 3 is an alternate). Nexus P40N, P41N or P43N Display is shipped programmed to use Port 3—see section 5.7 for details.

Figure 5.4: Communication Wiring

5.2: RS-232 Connection—Nexus Meter to a Computer

- Use Port 1 for RS-232 communication. Set the selector switch beneath the port to RS-232.
- Insert one end of an RS-232 extension cable into the Nexus Meter's 9-pin female serial port. Insert the opposite end into a port on the computer.
- The RS-232 standard limits the cable length to 50 feet (15.2m).
- The RS-232 Port is configured as Data Communications Equipment (DCE).

Nexus Meter Port 1

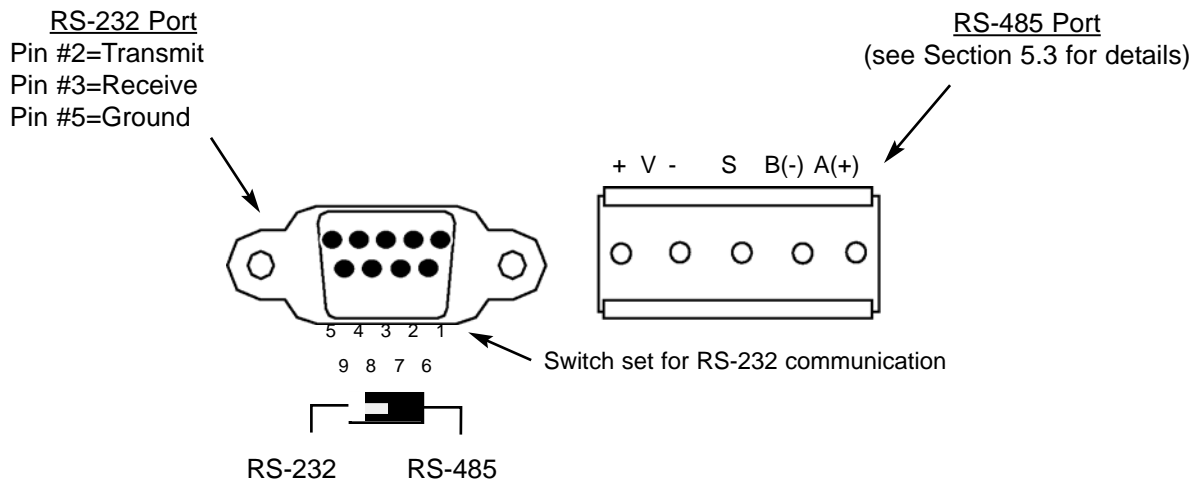


Figure 5.5: Nexus Port 1—RS-232/RS-485 Communication

5.3: Nexus RS-485 Wiring Fundamentals (with R_T Explanation)

Nexus RS-485 Ports (Ports 1–4) (see Figure 5.5 above)

- +V-** **Voltage terminals for power connections:** Use with Nexus I/O Modules and the Nexus Displays only. The Nexus 1250/1252 Meter supplies 17V DC through the +V- terminal connections. Note: Do **not** connect these pins to devices that receive power from another source—ie, a computer—or to devices that do not require power to operate.
- S** **Shield:** The Shield connection is used to reference the Nexus port to the same potential as the source. It is not an earth-ground connection. You must also connect the shield to earth-ground at one point. Do not connect the shield to ground at multiple points; it will interfere with communication.
- A(+)/B(-)** **Two-wire, RS-485 communication terminals:** Connect the A(+) terminal of the Nexus Port to the (+) terminal of the device. Connect the B(-) terminal of the Nexus Port to the (-) terminal of the device.

- RS-485 communication allows multiple devices to communicate on a bus. The Nexus 1250/1252 Ports 1 to 4 are RS-485 terminals, viable for a distance of up to 4000 feet (1219 m). (Nexus' Port 1 can be switched between RS-232 and RS-485.) Below is a detail of a 2-wire RS-485 port.

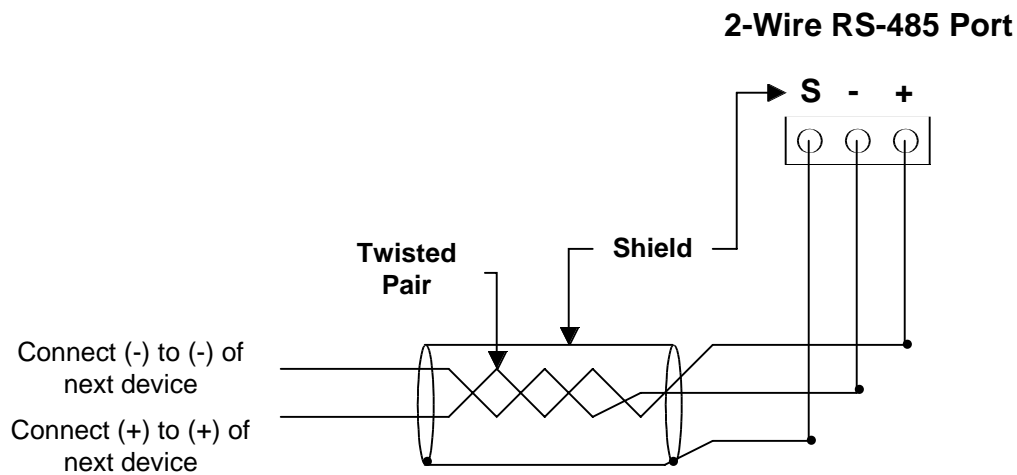


Figure 5.6: 2-Wire RS-485 Port Detail

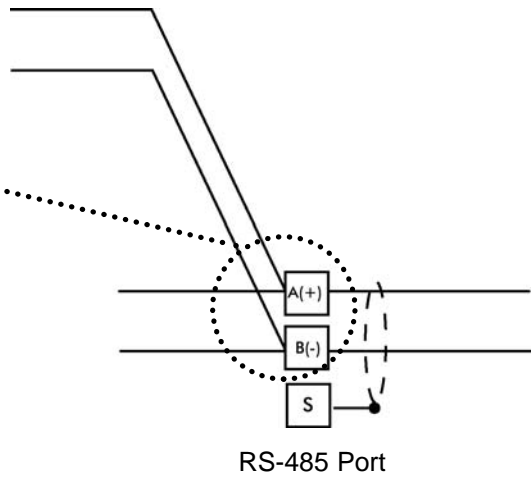
For All RS-485 Connections:

- Use a shielded twisted pair cable 22 AWG (0.33 mm²) or larger, grounding the shield at one end only.
- Establish point-to-point configurations for each device on a RS-485 bus: Connect (+) terminals to (+) terminals; connect (-) terminals to (-) terminals.
- Protect cables from sources of electrical noise.
- Avoid both “star” and “tee” connections (see Figure 5.7). No more than two cables should be connected at any one point on an RS-485 network, whether the connections are for devices, converters or terminal strips.
- Include all segments when calculating the total cable length of a network. If you are **not** using an RS-485 repeater, the maximum length for cable connecting all devices is 4000 feet (1219 meters).
- **RT EXPLANATION:**
Termination Resistors are generally used on both ends of longer length transmission lines. The value of the Termination Resistors is determined by the electrical parameters of the cable. Use **RTs only** on **Master** and **Last Slave** when connecting multiple meters in a **Daisy Chain**.

Incorrect Connection: "T"



"Tee" Connection Incorrect!
The three wires connected in a "T" shape on both the (+) and (-) terminals will cause interference problems.



Incorrect Connection: "Star"



"Star" Connection Incorrect!
The three wires connected in a "Star" shape on both the (+) and (-) terminals will cause interference problems.

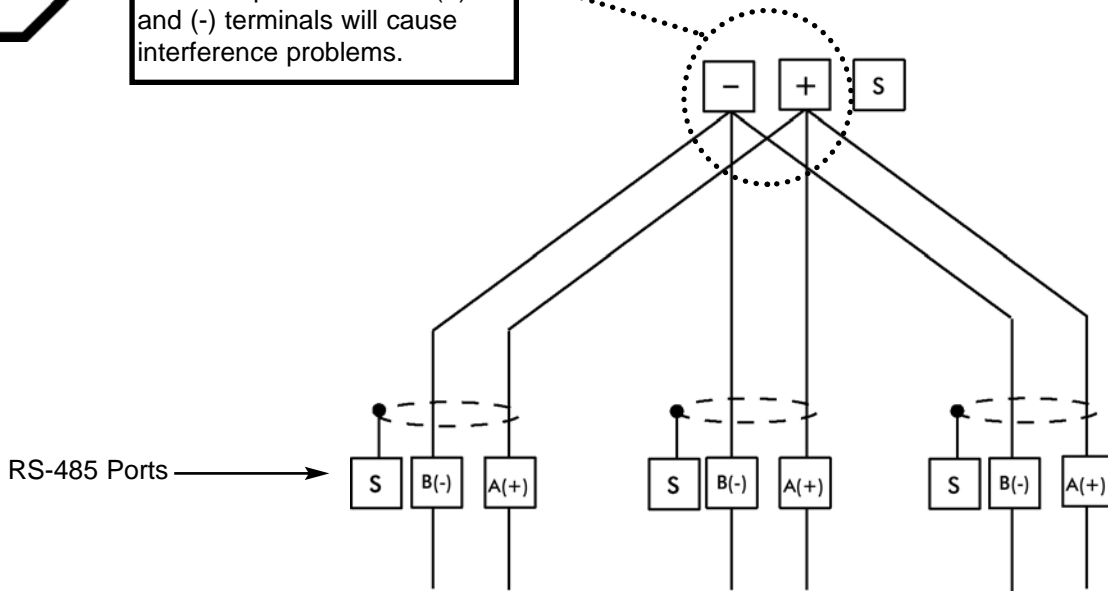


Figure 5.7: Incorrect "T" and "Star" Topologies

5.4: RS-485 Connection—Nexus Meter to a Computer or PLC

- Use any Port on the Nexus 1250/1252. If you use Port 1, set the selector switch beneath the port to RS-485 (see Figure 5.3).
- The link using RS-485 is viable for up to 4000 feet (1219 meters).
- You **must** use an RS-485 to RS-232 converter, such as EIG's Unicom 2500. See sections 5.7.1.
- For information on connecting the Nexus Meter to a modem, see sections 5.14–5.16.
- Do not use the V(+)/V(-) pins; they supply power to the Nexus Displays and Nexus I/O Modules.

5.5: RJ-11 (Telephone Line) Connection—Nexus with Internal Modem Option to a PC

- Use RJ-11 Standard Telephone Line to connect with the Nexus 1250/1252. The RJ-11 line is inserted into the RJ-11 Port on the face of the Nexus with Internal Modem Option.
- The length of the connection using RJ-11 into the Nexus 1250/1252 is virtually unlimited.
- To connect with other Nexus 1250/1252 Meters in either local or remote locations, you **MUST** use Port 2 as a Master and an RS-485 connection.
- The link using RS-485 is viable for up to 4000 feet (1219 meters).
- For more information on the Nexus Meter with the Internal Modem Option, see *Chapter 10* of this manual.

5.6: RJ-45 Connection—Nexus with Internal Network Option to multiple PC's

- The Internal Network Option conforms to the IEEE 802.3, 10BaseT specification using unshielded twisted pair (UTP) wiring. This allows the use of inexpensive RJ-45 connectors and CAT 3 or better cabling.
- Using this LAN connection allows multiple PC's to be connected concurrently. The RJ-45 line is inserted into the RJ-45 Port on the face of the Nexus with Internal Network Option.
- The connection using RJ-45 into the Nexus 1250/1252 can connect the Nexus to a network using Modbus/TCP protocol over Ethernet.
- To connect with other Nexus Meters in either local or remote locations, you **MUST** use Port 2 (which is labeled Ethernet Gateway) as a Master and an RS-485 connection. The link using RS-485 is viable for up to 4000 feet (1219 meters).
- For more information on the Nexus 1250/1252 Meter with the Internal Network Option, see *Chapter 11* of this manual.

5.7: RS-485 Connection—Nexus to an RS-485 Master (Unicom or Modem Manager)

- To establish communication between a Nexus Meter and any RS-485 master, such as EIG's Unicom 2500, Modem Manager or other RS-232–485 converter, use a shielded, twisted pair cable.
- Use an RS-485 port (Ports 1–4) on the Nexus Meter. If you use Port 1, set the selector switch beneath it to RS-485 (see Figure 5.3). Connect the A(+) and B(-) terminals on the Nexus to the (+) and (-) terminals on the master. Provide jumpers on the master, linking its two (-) terminals and two (+) terminals. RS-485 communication is viable for up to 4000 feet (1219 meters).
- Connect the shield to the Ground (G) terminal on the Master. The (S) terminal on the Nexus is used to reference the Nexus port to the same potential as the source. It is not an earth ground connection. You must also connect the shield to earth-ground at one point.

NOTE: Refer to section 5.3 for information on using RTs.

5.7.1: Using the Unicom 2500

The Unicom 2500 provides RS-485/RS-232 conversion. In doing so it allows the Nexus to communicate with a PC or other device. See the Unicom 2500 Installation and Operation Manual for additional information.

Figures 5.8 and 5.9, on the next page, illustrate the Unicom 2500 connections for RS-485.

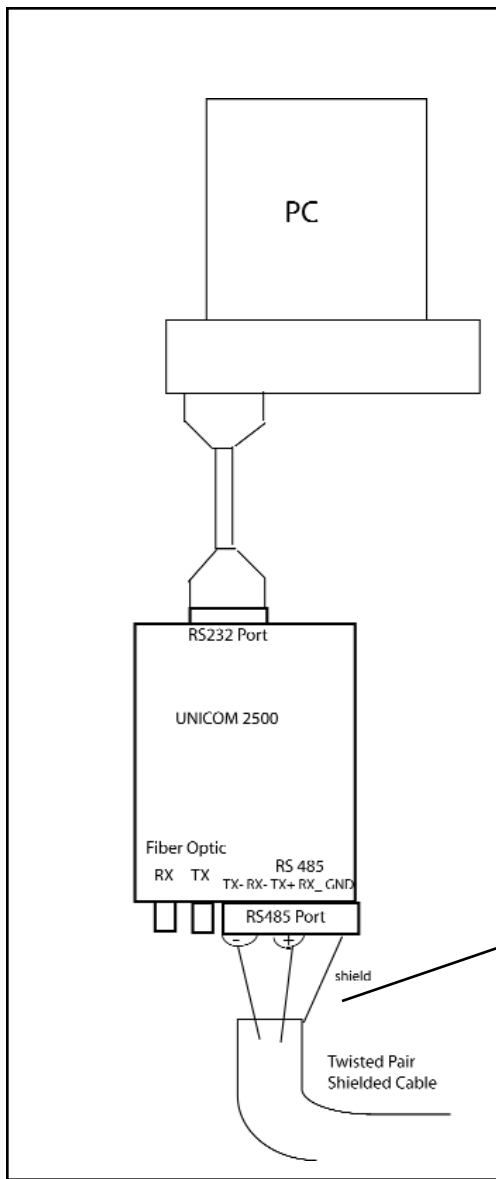


Figure 5.8: Unicom 2500 with Connections

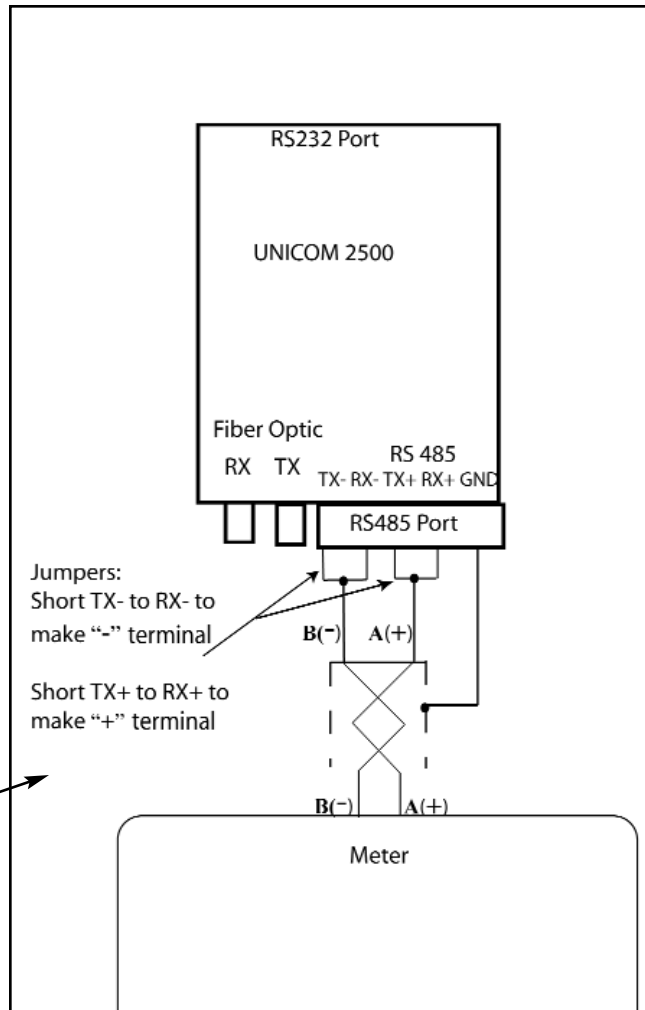


Figure 5.9: Detail of "Jumpers"

The Unicom 2500 can be configured for either 4-wire or 2-wire RS-485 connections. Since the Nexus uses a 2-wire connection, you need to add jumper wires to convert the Unicom 2500 to the 2-wire configuration.

As shown in Figure 5.9, you connect the "RX-" and "TX-" terminals with a jumper wire to make the "-" terminal, and connect the "RX+" and "TX+" terminals with a jumper wire to make the "+" terminal

5.8: RS-485 Connection—Nexus Meter to the Nexus P40N External Display

- Insert one end of the supplied RS-485 cable into Port 3 of the Nexus 1250/1252 Meter. Port 3 is factory-set to match the Nexus Display's baud rate of 9600. To use a port other than Port 3, you must set the port's baud rate to 9600 using the Communicator EXT software (see the *Communicator EXT User Manual*). Insert the other end of the cable into the back of the Nexus P40N, P41N or P43N Display. The connectors fit only one way into the ports.
- The cable harness brings 17V DC to the displays from the Nexus 1250/1252 Meter, represented by dashed lines in the figure below. RS-485 communication is viable for up to 4000 feet (1219 meters). If your cable length exceeds 200 feet you must use a remote power supply, such as EIG's PSIO, and:
 - Connect the shield to the shield (S) terminal on the Nexus Display port. The (S) terminal on the Nexus is used to reference the Nexus port to the same potential as the source. It is not an earth-ground connection. You must also connect the shield to earth-ground at one point.
 - Provide termination resistors at each end, connected to the A(+) and B(-) lines. R_T is approximately 120 Ohms. NOTE: Refer to section 5.3 for R_T Explanation.

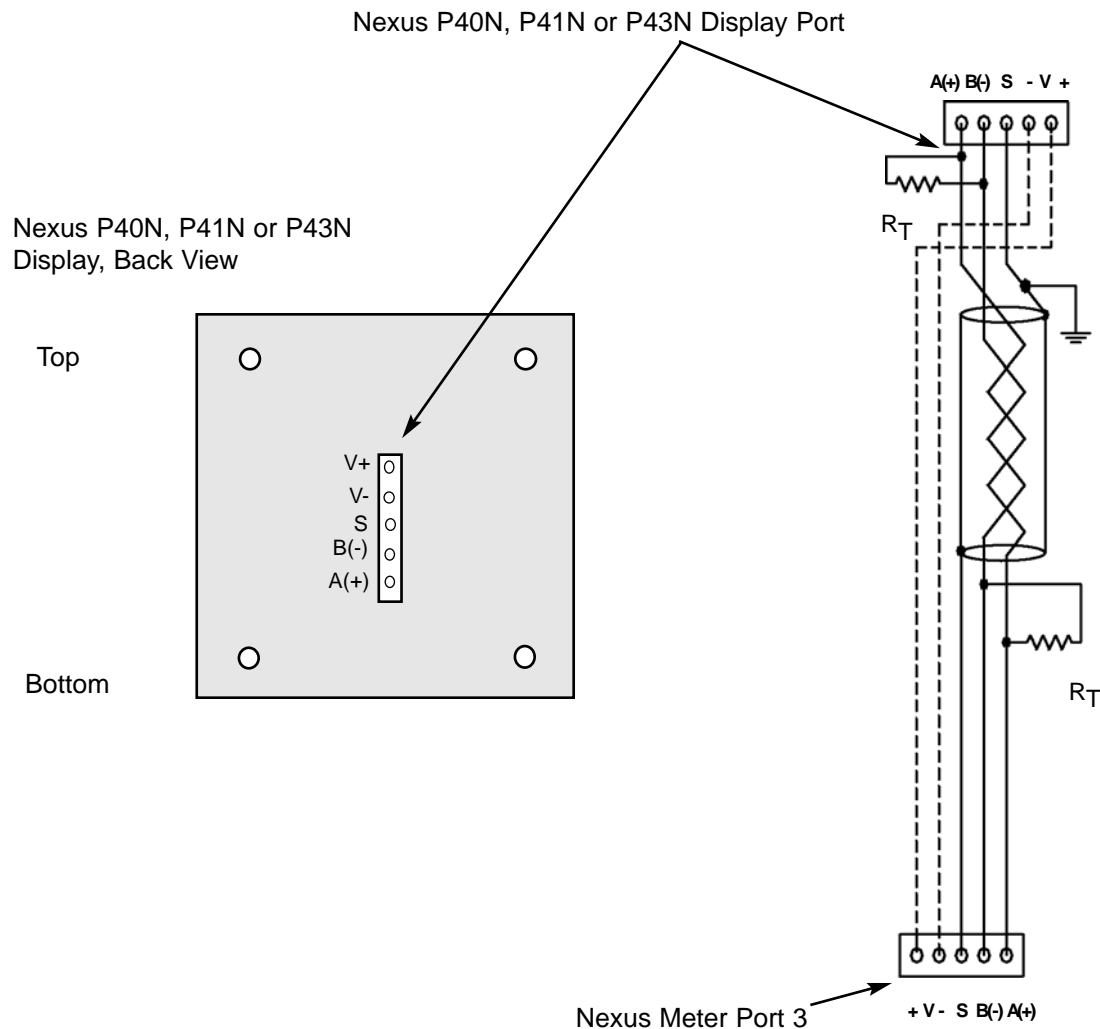


Figure 5.10: Nexus Meter Connected to Nexus P40N, P41N or P43N External Display

5.9: RS-485 Connection—Nexus Meter to the Nexus P60N External Display

- To connect the Nexus P60N Touch Screen External Display, use the Stand Alone Interface Cable provided with the display. The cable is six (6) feet long with 20 AWG conductors (see detail below). Insert one end of the supplied cable into Port 3 of the Nexus 1250/1252 Meter. Port 3 is factory-set to match the Nexus Display's baud rate of 9600. To use a port other than Port 3, you must set the port's baud rate to 9600 using the Communicator EXT software (see the *Communicator EXT User Manual*). Insert the other end of the cable into the back of the Nexus P60N Display. The connectors fit only one way into the ports.

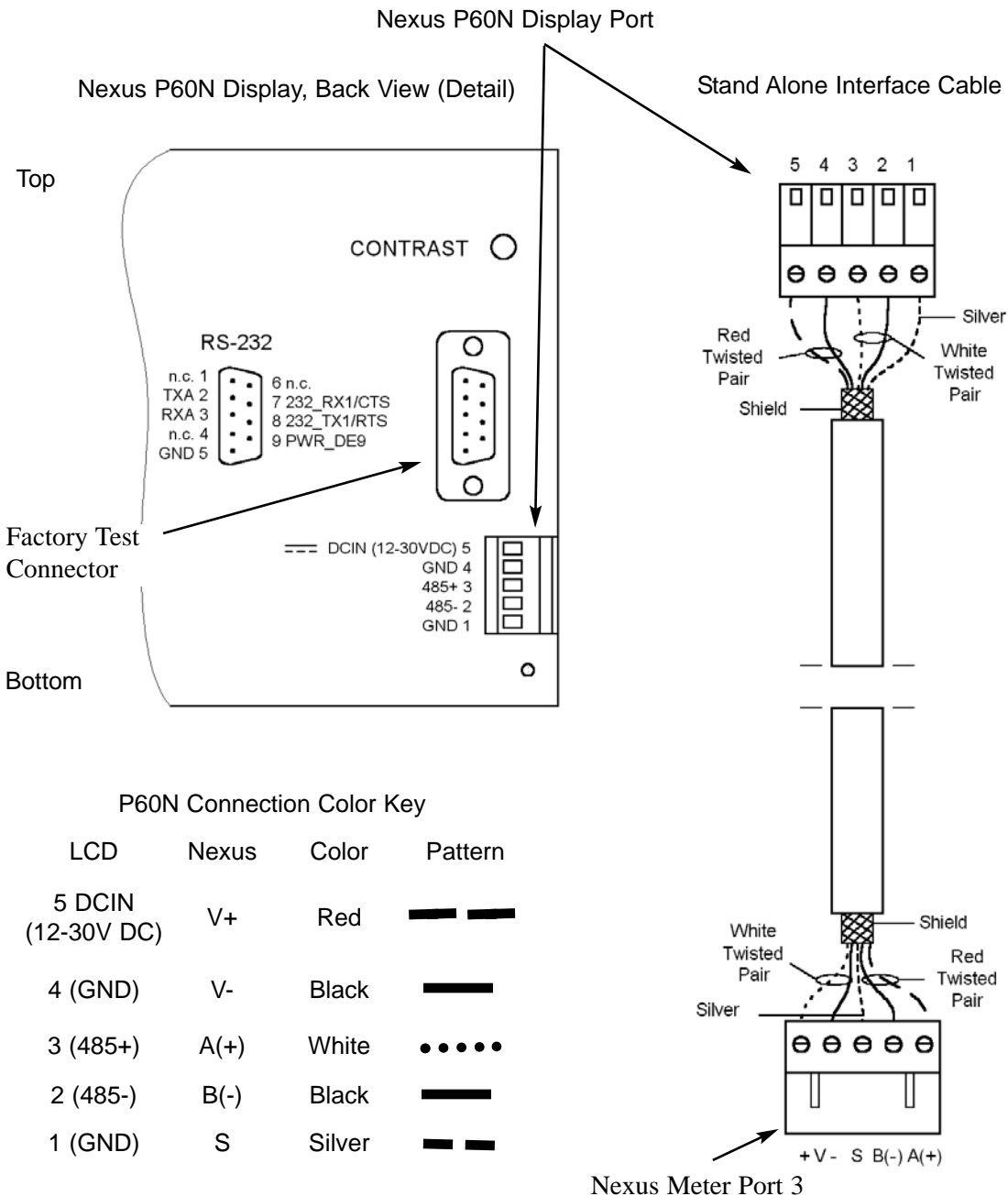


Figure 5.11: Nexus Meter Connected to Nexus P60N Touch Screen Display

5.10: Communication Ports on the Nexus I/O Modules

- **Female RS-485 Side Port:** use to connect to another module's female RS-485 side port.
- **Male RS-485 Side Port:** use to connect to the Nexus Meter's Port 4 (see section 5.8) or to connect to another module's male RS-485 side port.
- **I/O Port:** use for functions specific to the type of module; size and pin configuration varies depending on type of module. For more detail, refer below to section 5.11 and to Chapter 9 of this manual.

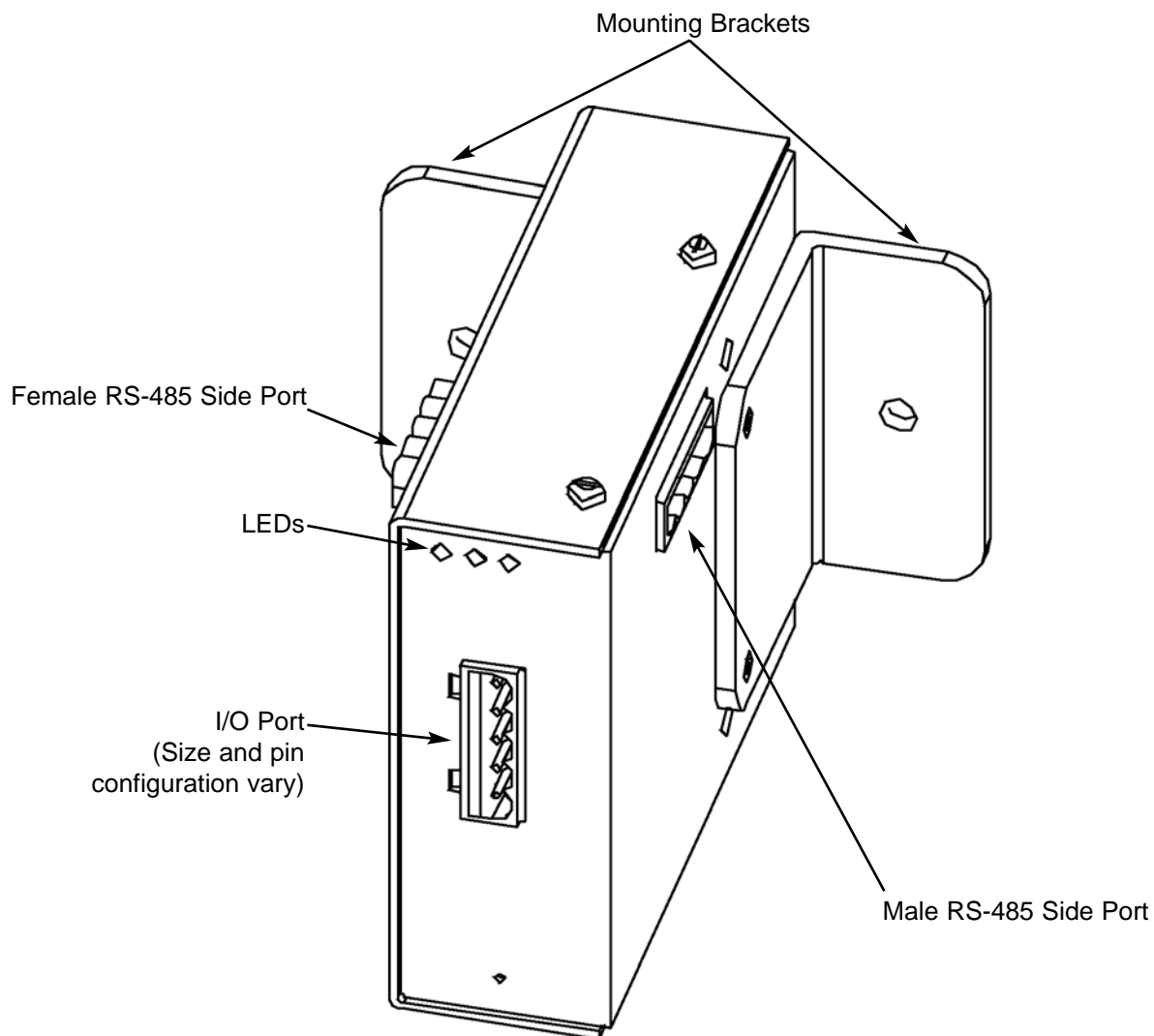


Figure 5.12: Communication Ports on the Nexus I/O Modules

5.11: RS-485 Connection—Nexus Meter to Nexus I/O Modules

- Six feet of RS-485 cable harness is supplied. Insert one end of the cable into Port 4 of the Nexus 1250/1252 Meter.
- Insert the other end of the cable into the I/O module's female RS-485 side port (see Figure 5.9). The connectors fit only one way into the ports.
- Use the male RS-485 side port to attach another I/O module. The Nexus 1250/1252 will power up to four connected I/O modules using 15–20V DC at 50–200mA, represented by dashed lines in the figure below. Use the steps below (section 5.12) to determine if you must use a separate power source (for example, EIG PSIO) to supply added power to the group. RS-485 communication is viable for up to 4000 feet (1219 meters). However, if your cable length exceeds 200 feet, use the remote power supply and:
 - Connect the A(+) and B(-) terminals on the Nexus to the A(+) and B(-) terminals of the female RS-485 port. Connect the shield to the shield (S) terminal. The (S) terminal on the Nexus 1250/1252 is used to reference the Nexus port to the same potential as the source. It is not an earth ground connection. You must also connect the shield to earth-ground at one point.
 - Provide termination resistors at each end, connected to the A(+) and B(-) lines. RT is approximately 120 Ohms. NOTE: Refer to section 5.3 for RT Explanation.

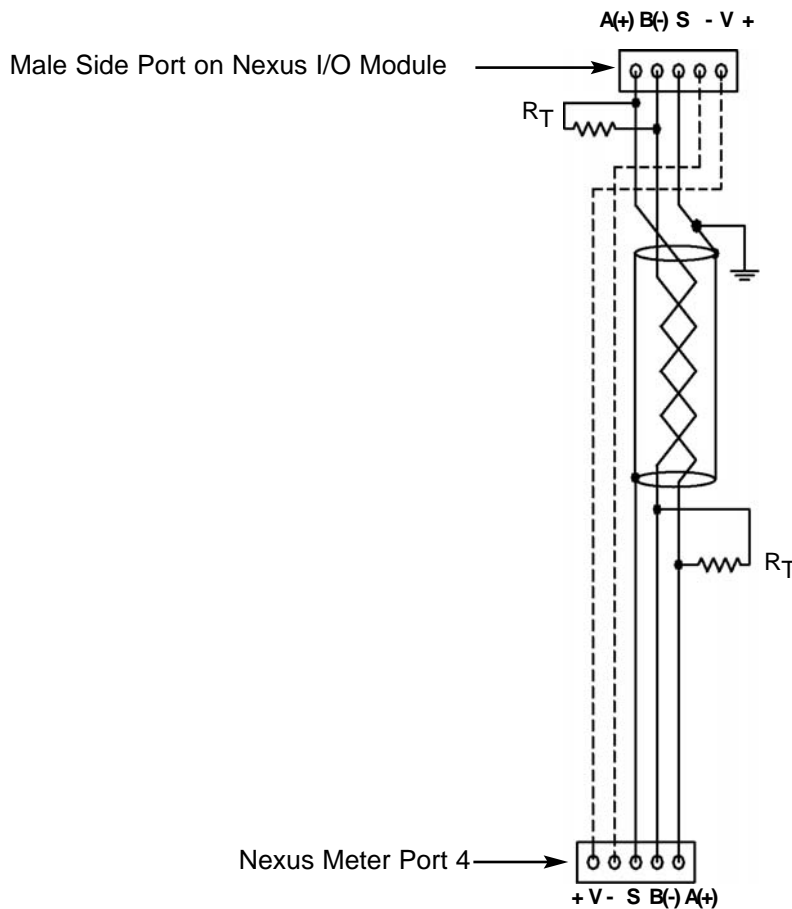


Figure 5.13: Nexus Meter Connected to Nexus I/O Module

5.12: Steps to Determine Power Needed

- Available power for All Ports of the Nexus 1250/1252 is 12 VA.
- Refer to the table below to determine the VA Ratings for I/O modules and displays.
- Add together the VA Ratings for I/Os and Displays in use.
- Compare Available Power to Power Needed to determine if you must use an additional power source. EIG recommends the PSIO 12V power source. See section 9.2.1.

5.13: I/O Modules' Factory Settings and VA Ratings

- All I/Os are shipped pre-programmed with a baud rate of 57600 and addresses. The table below details the factory-set address for each module and the VA Ratings for I/O modules and Nexus displays. Refer to the previous section (section 5.12) for the steps to determine if you must use an additional power source. For programming, refer to Chapter 8 of the *Communicator EXT User Manual*.

I/O MODULES' FACTORY SETTINGS AND VA RATINGS

MODEL NUMBER	MODULE	ADDRESS	VA RATING
1mAON4	0-1mA, 4 Analog Outputs	128	2.7 VA
1mAON8	0-1mA, 8 Analog Outputs	128	3.2 VA
20mAON4	4-20mA, 4 Analog Outputs	132	5.0 VA
20mAON8	4-20mA, 8 Analog Outputs	132	8.5 VA
8A11	0-1mA, 8 Analog Outputs	136	2.3 VA
8A12	0-20mA, 8 Analog Outputs	140	2.3 VA
8A13	0-5V DC, 8 Analog Outputs	144	2.3 VA
8A14	0-10V DC, 8 Analog Outputs	148	2.3 VA
4RO1	4 Latching Relay Outputs	156	2.7 VA
4PO1	4 KYZ Pulse Outputs	160	2.7 VA
8D11	8 Status Inputs (Wet/Dry)	164	1.0 VA

NEXUS DISPLAYS' VA RATINGS

P40N, P41N or P43N	Nexus LED Display	8 VA
P60N	Nexus Touch Screen Display	5 VA

5.14: Linking Multiple Nexus Devices in Series

- You may connect a total of 31 Nexus 1250/1252 Meters in series on a single bus using RS-485. The cable length may not exceed 4000 feet (1219 meters). Before assembling the bus, each Nexus Meter **must be assigned a unique address**; see the *Communicator EXT User Manual*.
- Connect the A(+) and B(-) terminals of each Nexus Meter. Use jumpers on any RS-485 Master connected at the end of the chain (see section 5.5).
- Connect the shield to the (S) terminal on each Nexus and to the Ground on the RS-485 Master. This connection is used to reference the Nexus port to the same potential as the source. It is not an earth ground connection. You must also connect the shield to earth-ground at one point.
- Provide resistors at each end, connected to the (+) and (-) lines. R_T is approximately 120 Ohms, but this value may vary based on length of cable run, gauge or the impedance of the wire.
NOTE: Refer to section 5.3 for R_T Explanation.

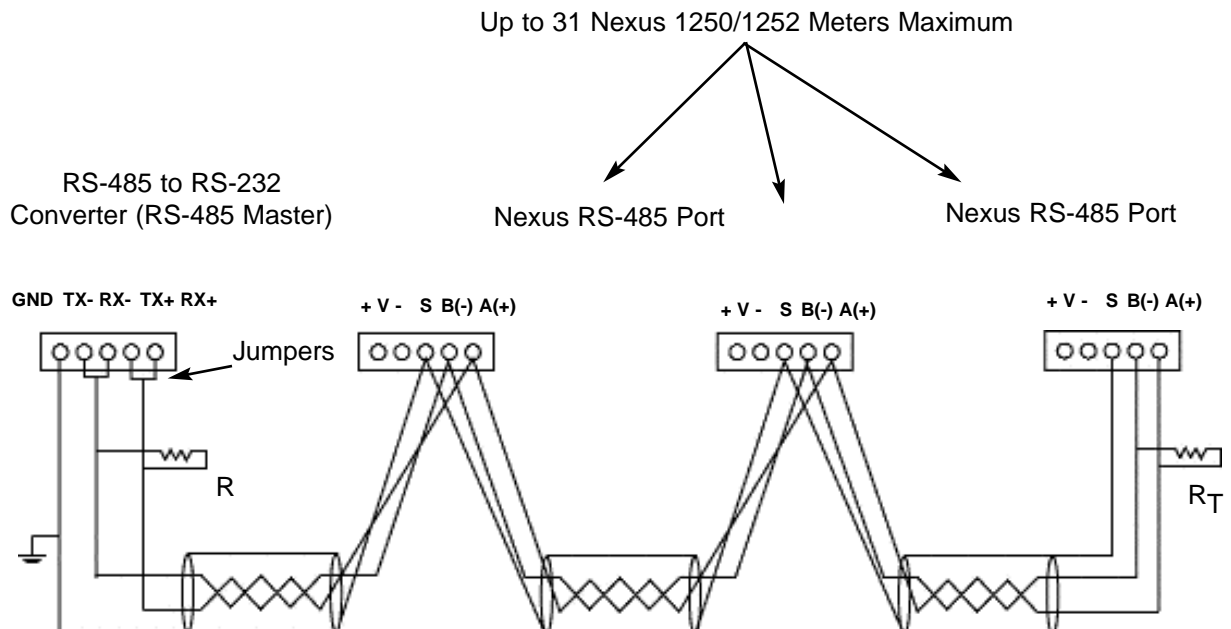


Figure 5.14: Linking Multiple Nexus Devices in Series

5.15: Networking Groups of Nexus Meters

- You may connect up to 31 Nexus 1250/1252 Meters on the same RS-485 bus. Each one must be assigned a unique address; see the *Communicator EXT User Manual*. Use an RS-485 repeater to network several links of instruments.
- A maximum number of 31 Nexus 1250/1252 Meters may be connected to one repeater. A maximum number of 31 repeaters may be included on the same network.

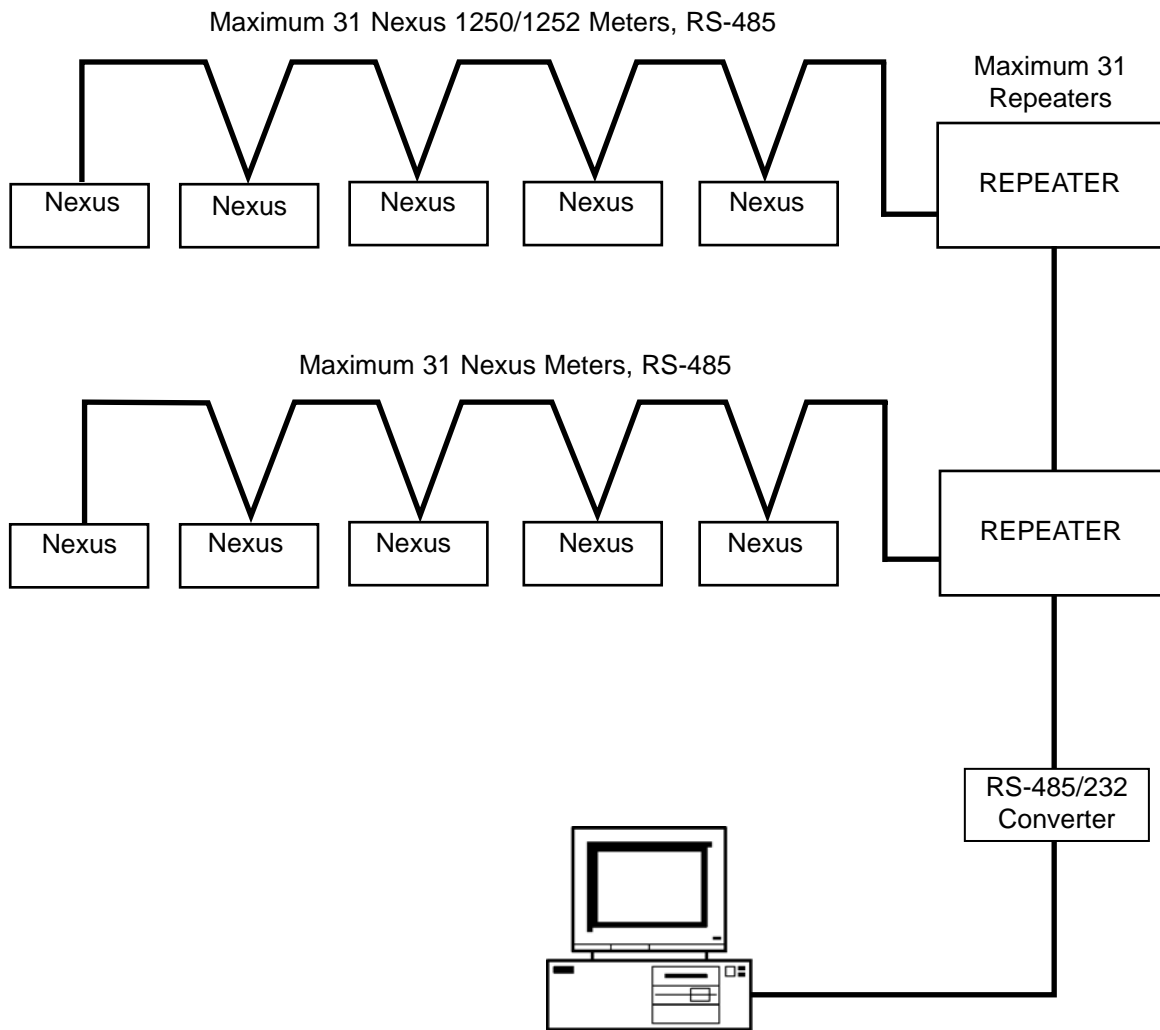
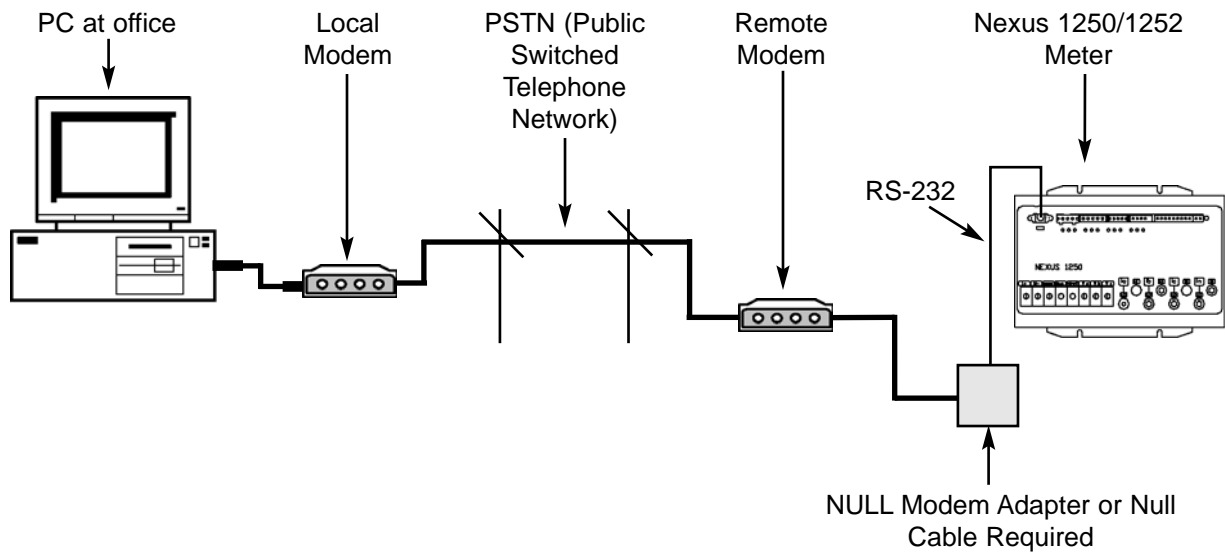


Figure 5.15: Networking Groups of Nexus Meters

5.16: Remote Communication Overview

- Use modems (dedicated or dial-up) when devices are at great distances. **EIG recommends using RS-485 wiring with a Modem Manager.** See section 5.13.

Remote Connection—RS-232



Remote Connection—RS-485

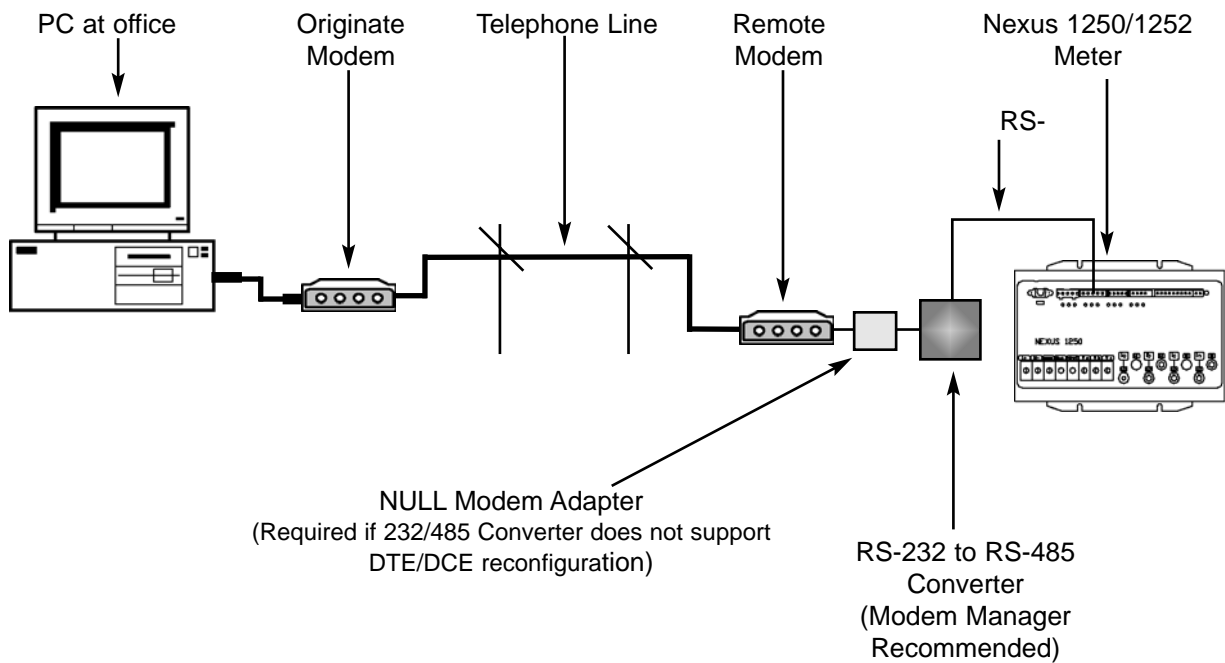


Figure 5.16: Remote Connections—RS-232/RS-485

- Use RJ-11 Telephone Lines when devices are at great distances. Connections are simple, requiring no additional hardware.

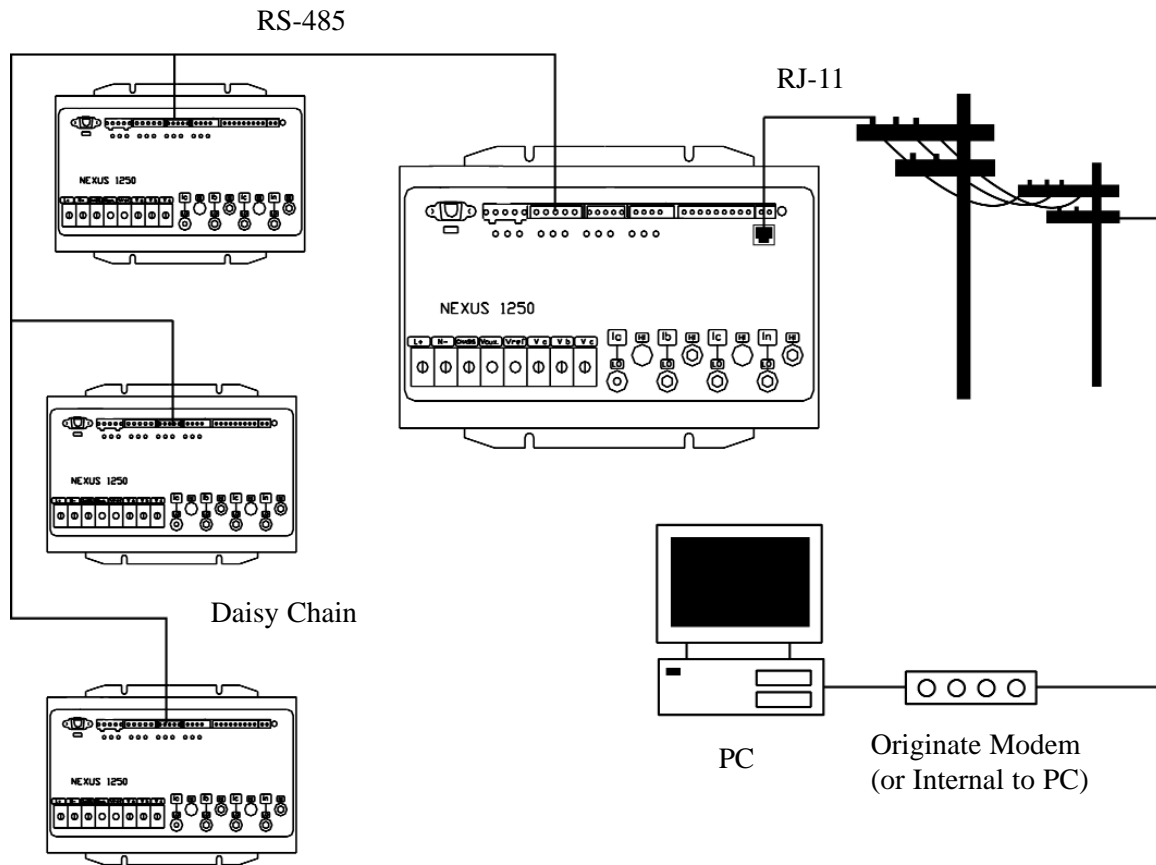


Figure 5.17: Remote Connections with Internal Modem Option

- Standard Telephone wall to phone cabling can be used. This cabling is widely available in many lengths with RJ-11 plugs on each end.
- Plug one end into the Nexus 1250/1252 and the other end into the wall jack.

- Or, use RJ-45 Network Connection when devices are at great distances. Connections are simple, requiring no additional hardware.

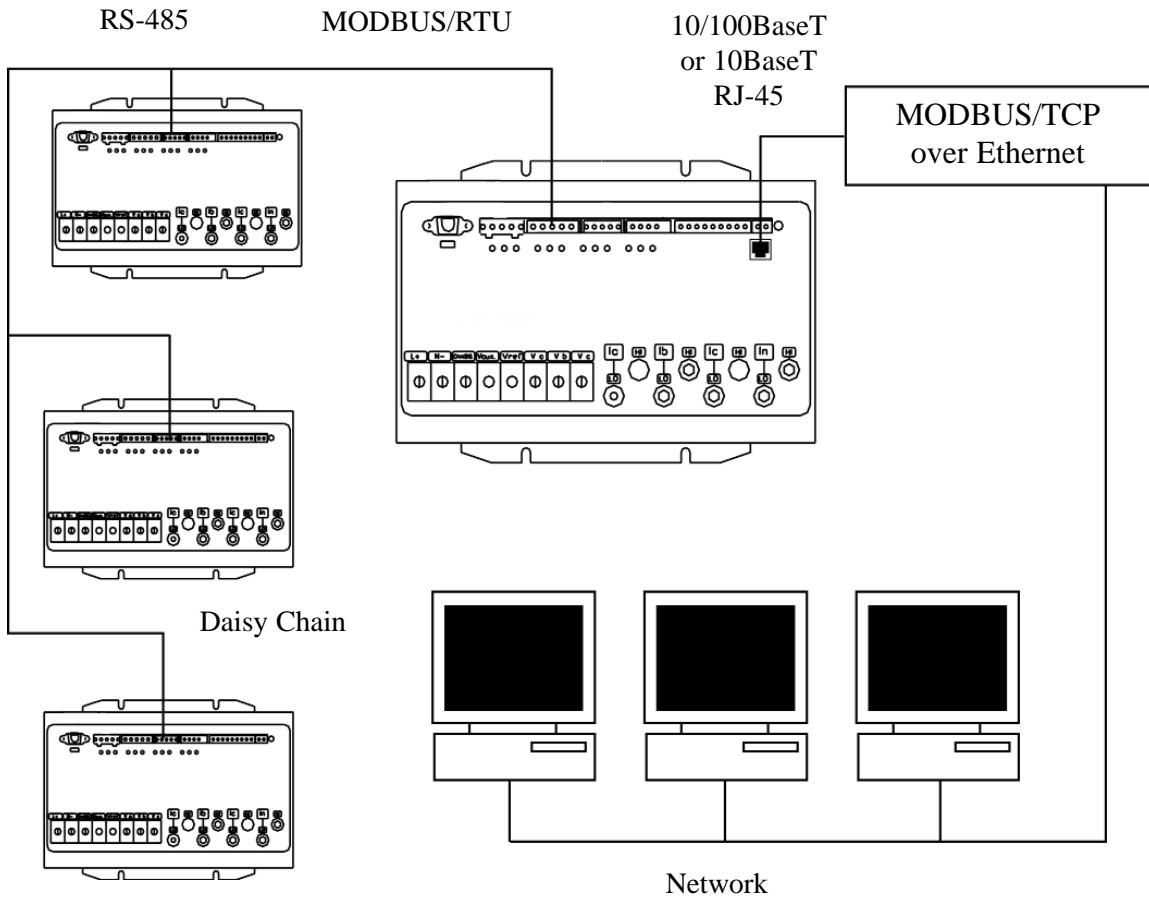


Figure 5.18: Remote Connections with Internal Network Option

5.17: Remote Communication—RS-232

- **EIG recommends using RS-485 wiring with a Modem Manager. See section 5.13.**
- For RS-232 communication, use Port 1. Set the selector switch under the port to RS-232 (Fig. 5.3).
- Use an RS-232 serial extension cable connected to the 9-pin female serial port of the Nexus 1250/1252 Meter's Port 1. Program this port for Modbus ASCII. See the *Communicator EXT User Manual* for details.
- The link using RS-232 is capable for up to 50 feet (1219 meters).
- You **must** use a Null Modem or Null Cable between the Nexus Meter and the remote modem when using RS-232. A Null Modem enables two DCE devices to communicate. The figure below details how a null modem reconfigures the RS-232 pins. **Note: Connecting the Nexus Meter to a modem via RS-485 protocol with EIG's Modem Manager converter eliminates the need for a Null Modem; see section 5.13.**
- The remote modem must be programmed for auto-answer and set at a fixed baud rate of 9600 with no Flow Control. See section 5.19 and the *Communicator EXT User Manual* for further details.

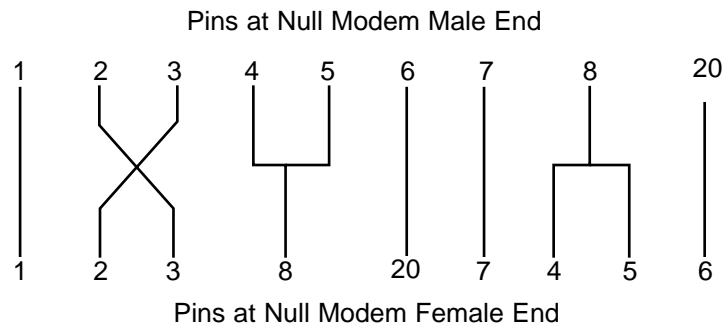


Figure 5.19: Standard Null Modem Configuration

5.18: Remote Communication—RS-485

- Use any Port on the Nexus 1250/1252. If you use Port 1, set the selector switch beneath the port to RS-485 (see Figure 5.3). The link using RS-485 is viable for up to 4000 feet (1219 meters).
- Use Communicator EXT software to set the port's baud rate to 9600 and enable Modbus ASCII protocol. See the *Communicator EXT User Manual*.
- You **must** use an RS-485 to RS-232 converter and a NULL Modem. EIG recommends using its **Modem Manager**, a sophisticated RS-232/RS-485 converter that enables devices with different baud rates to communicate. It also eliminates the need for a NULL modem (see section 5.12), and automatically programs the modem to the proper configuration. Also, if the telephone lines are poor, Modem Manager acts as a line buffer, making the communication more reliable.

5.19: Programming Modems for Remote Communication

When a modem speaks to most RS-485 or RS-232-based devices, it must be programmed for the communication to work. This task is often quite complicated because modems are quirky when talking to remote devices.

If you are **not** using a Modem Manager device, you must set the following strings to communicate with the remote Nexus Meter(s). Consult your modem's manual for the proper string settings or see section 5.15 for a list of selected modem strings.

■ Modem Connected to a Computer (the Originate Modem):

- Restore modem to factory settings. This erases all previously programmed settings.
- Set modem to display Result Codes. The computer will use the result codes.
- Set modem to Verbal Result Codes. The computer will use the verbal result codes.
- Set modem to use DTR Signal. This is necessary for the computer to ensure connection with the originate modem.
- Set modem to enable Flow Control. This is necessary to communicate with remote modem connected to the Nexus.
- Tell modem to write the new settings to activate profile. This places these settings into nonvolatile memory; the setting will take effect after the modem powers up.

■ Modem Connected to the Nexus Meter (the Remote Modem):

- Restore modem to factory settings. This erases all previously programmed settings.
- Set modem to auto answer on N rings. This sets the remote modem to answer the call after N rings.
- Set modem to ignore DTR Signal. This is necessary for the Nexus to ensure connection with originate modem.
- Set modem to disable Flow Control. Nexus RS-232 communication does not support this feature.
- Tell modem to write the new settings to activate profile. This places these settings into nonvolatile memory; the setting will take effect after the modem powers up.
- When programming the remote modem with a terminal program, make sure the baud rate of the terminal program matches the Nexus Meter's baud rate.

5.20: Selected Modem Strings

Modem	String/Setting
Cardinal modem:	AT&FE0F8&K0N0S37=9
Zoom/Faxmodem VFX V.32BIS(14.4K):	AT&F0&K0S0=1&W0&Y0
Zoom/Faxmodem 56Kx Dual Mode:	AT&F0&K0&C0S0=1&W0&Y0
USRobotics Sportster 33.6 Faxmodem:	AT&F0&N6&W0Y0 (for 9600 baud)
DIP switch setting:	Up Up Down Down Up Up Up Down
USRobotics Sportster 56K Faxmodem:	AT&F0&W0Y0
DIP switch setting:	Up Up Down Down Up Up Up Down

5.21: High Speed Inputs Connection

- The Nexus High Speed Inputs can be used in many ways:

Attach the KYZ HS Outputs from other meters for totalizing.

Attach relaying contacts for breaker status or initiated logging.

- Refer to the Communicator EXT User Manual for information on programming the functionality of these versatile inputs.
- The High Speed Inputs can be used with either dry or wet field contacts. For WET contacts, the common rides on a unit-generated 15V DC. No user programming is necessary to use either wet or dry field contacts.

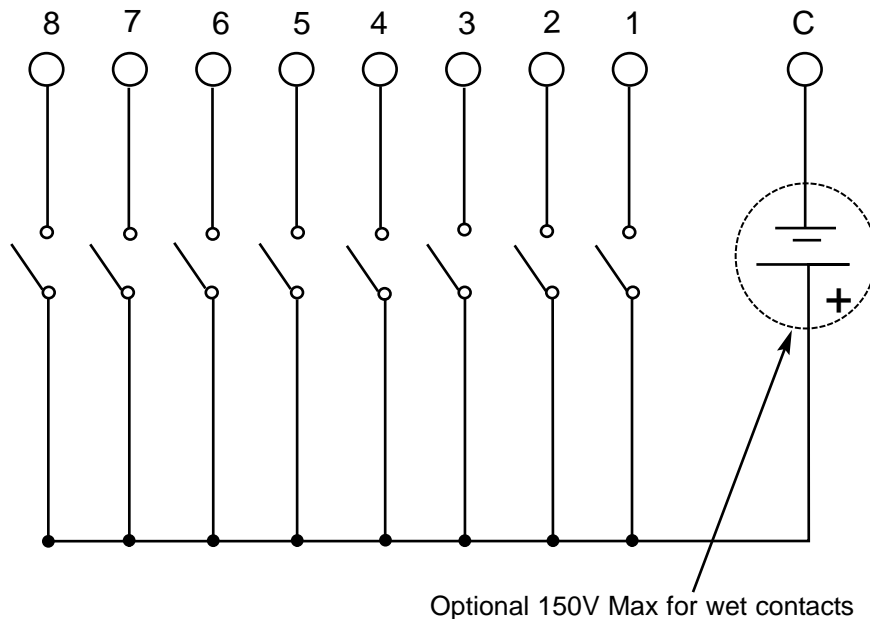


Figure 5.20: High Speed Inputs Connection

5.22: Five Modes of Time Synchronization

- The Nexus meter offers up to five modes of Time Synchronization, depending on options selected at the time of ordering.
 1. **Internal Crystal:** The Default Time Constant is an Internal Crystal. The crystal is accurate to approximately 1 minute per month.
 2. **Line Frequency:** The meter ignores the internal crystal and counts frequency to synchronize the clock. This feature is highly accurate in the presence of reliable system frequency. If power is lost, the unit automatically switches to the internal crystal.
 3. **Modbus Commands Time Synchronization:** The meter uses Serial Modbus-Based Commands to change the date and time of the clock. The meter relies upon the Internal Crystal between synchronization intervals. This mode is used in conjunction with MV90.
 4. **DNP Line Synchronization:** The meter uses DNP Protocol Commands to change the date and time of the clock. The meter relies upon the Internal Crystal between synchronization intervals.
 5. **IRIG-B:** The meter uses a Signal Generating Device connected to the GPS Satellite System to synchronize Nexus Time. This mode is accurate to within one millisecond. This mode is detailed in section 5.23.

5.23: IRIG-B Connections

- IRIG-B is a standard time code format that synchronizes event timestamping to within 1 millisecond. An IRIG-B signal-generating device connected to the GPS satellite system will synchronize Nexus 1250/1252 Meters located at different geographic locations. Nexus utilizes an UNMODULATED signal from a satellite-controlled clock (such as Arbiter 1093B). For details on installation, refer to the User's Manual for the satellite-controlled clock in use. Below are installation steps and tips that will help you.
- Connect the (+) terminal of the Nexus Meter to the (+) terminal of the signal generating device; connect the (-) terminal of the Nexus Meter to the (-) terminal of the signal generating device.

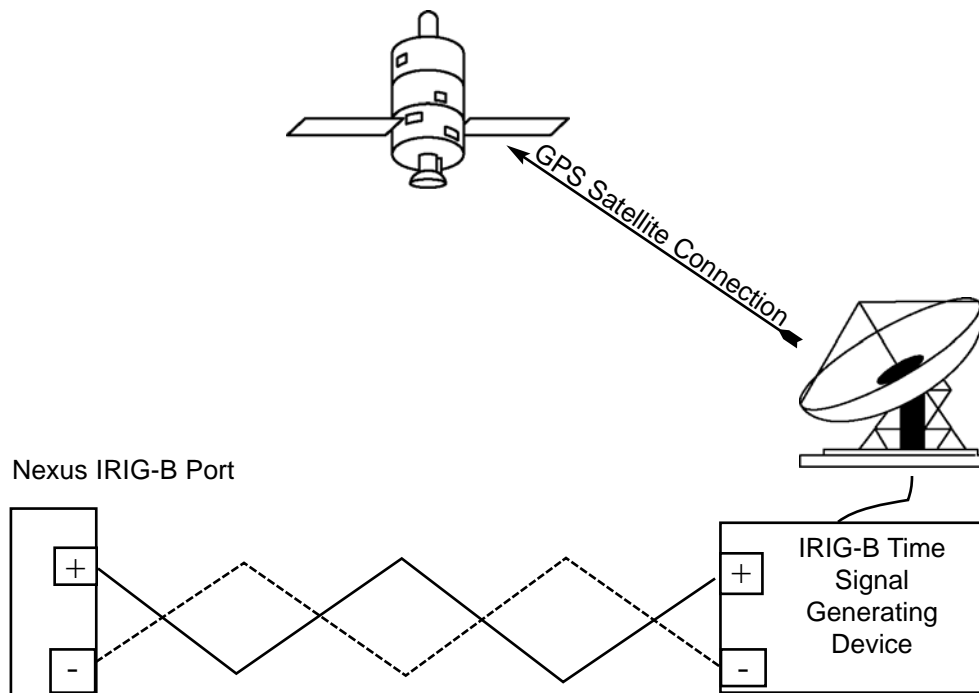


Figure 5.21: IRIG-B Connection

■ Installation:

1. Set Time Settings for the meter being installed. From Communicator EXT, Device Profile, Click Time Settings. Set the Time Zone and Daylight Savings (Select **AutoDST** or **Enable** and set dates). Click Update Device Profile to save the new settings. (See the *Communicator EXT User's Manual* for details.)
2. Before connection, check that the date on the meter clock is correct (or, within 2 MONTHS of the actual date). This provides the right year for the clock (**GPS does not supply the YEAR**).
3. Connect the (+) terminal of the Meter to the (+) terminal of the signal generating device; Connect the (-) terminal of the Meter to the (-) terminal of the signal generating device.

- **Troubleshooting Tip:** The most common source of problems is a reversal of the two wires. Try reversing the wires.

Chapter 6

Using the Nexus External Displays

6.1: Overview

- Electro Industries offers four external displays for use with the Nexus 1250/1252. The P40N, P41N and P43N are LED displays that provide easy-to-use access to the information stored in the Nexus 1250/1252. The P60N is our Touch Screen Display, which provides easy access to Nexus 1250/1252 readings and information combined with a graphical touch screen presentation.
- Plug one of the Nexus External Displays into Port 3 or 4 on the Nexus Meter, using the cable supplied. The Displays operate at 9600 baud; Port 3 is factory-set to 9600 baud (see Chapter 5 for communication details). To use the Displays on another port, configure that port to operate at 9600 baud, using the Communicator EXT Software; see the *Communicator EXT User Manual*.

6.2: Nexus P40N, P41N and P43N LED External Displays

- The Nexus P40N LED External Display can be used alone or it can serve as the **Master** for this grouping of displays. The P40N prepares the data for the Slave displays, the P41N and the P43N. Once a second, it sends a request to the Nexus meter. All necessary data for the Slave displays is returned to the Master display upon this request and the Master sends the data to the Slaves in the proper format.
- The Nexus P41N and P43N Slave displays listen to the Master and display and update values on the screen when they receive proper data. These displays have no keypads. Data can only be received; it cannot be changed. If there is no data for more than 5 seconds, “Communication Lost” will appear on the bottom of the screen. The following data is displayed when received:
 - **Amp Display (P41N):** Amp A, Amp B, Amp C
 - **Power Display (P43N):** Watt, VAR, PF

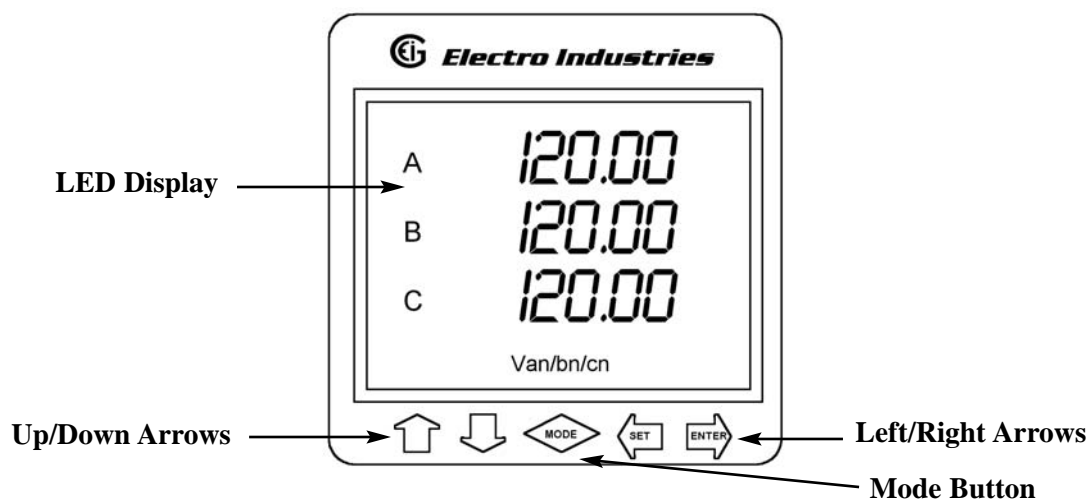


Figure 6.1: Nexus P40N LED External Display

6.2.1: Connect Multiple Displays

- One cable (housing two-wire RS-485 and two-wire power wires plus shield) is used to connect the displays. One port of the Nexus meter supports 12 VA. Each P40N, P41N or P43N requires 3.3 VA (maximum 3.8 VA). The Master Display (P40N) is the master in communication. The Amp, Power and Nexus devices are slaves in communication. Therefore, the Master Display (P40N) should be at the end of the daisy-chained units as shown in Figure 6.2 below. The Nexus port is set at 1. Protocol is Modbus RTU and Baud Rate is 9600.

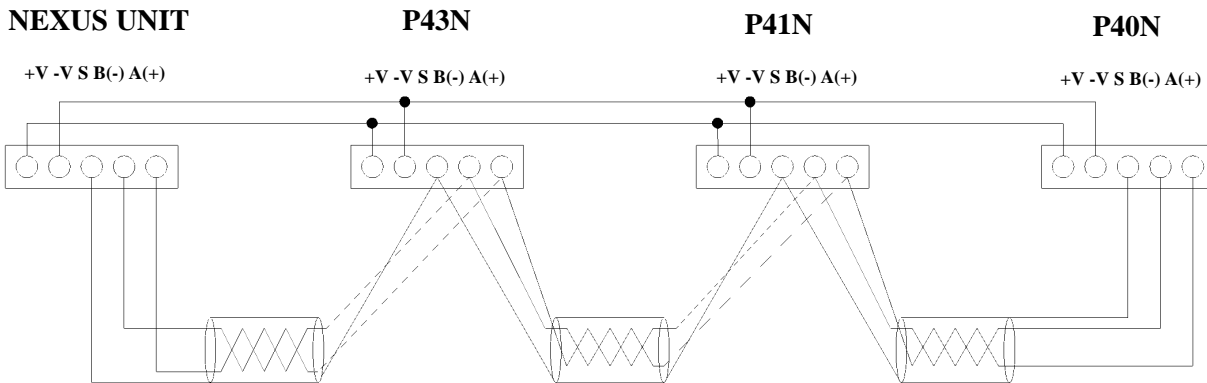


Figure 6.2: P40N Display Daisy Chain

NOTE: The power lines in Figure 6.2 are shown separate for clarity. All lines are actually in one cable.

- Shown here are diagrams of the P41N and P43N Displays with example readings on each screen.

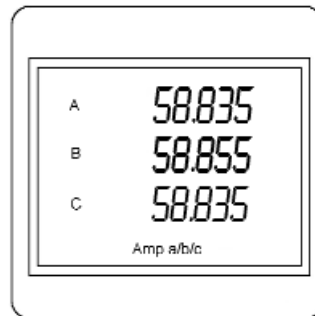


Figure 6.3: P41N Display

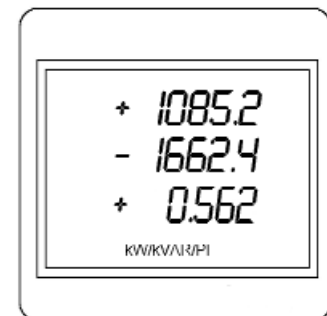


Figure 6.4: P43N Display

6.2.2: Nexus P40N Modes

- The Nexus P40N LED External Display has three modes:
 - Dynamic Readings Mode** (section 6.3 and 6.4)
 - Nexus Information Mode** (section 6.5 and 6.6)
 - Display Features Mode** (section 6.7 and 6.8)
- Each Mode is divided into Groups. Most Groups are further broken down into Readings.
 - Use the **MODE** button to scroll between Modes.
 - Use the **UP/DOWN** arrows to scroll from Group to Group within each Mode.
 - Use the **LEFT/RIGHT** arrows to scroll from Reading to Reading within each Group.
- Use the Communicator EXT software to Flash Update the P40N External Display.

6.3: Dynamic Readings Mode

- The External Display puts itself in the Dynamic Readings Mode upon power-up. Use the **MODE** button to access the Dynamic Readings from other Modes. Use the **UP/DOWN** arrows to navigate from Group to Group within this Mode. See section 6.4 for a navigational map of the Dynamic Readings Mode.

- **Group 1: Phase to Neutral Voltages** (Use the LEFT/RIGHT arrows to access the following readings, in order.)
 - Volts AN/BN/CN
 - Maximum Volts AN/BN/CN
 - Minimum Volts AN/BN/CN
 - Volts AN/BN/CN %THD
 - Volts AN/BN/CN Maximum %THD
 - Volts AN/BN/CN Minimum %THD

- **Group 2: Phase to Phase Voltages** (Use the LEFT/RIGHT arrows to access the following readings, in order.)
 - Volts AB/BC/CA
 - Maximum Volts AB/BC/CA
 - Minimum Volts AB/BC/CA

- **Group 3: Current** (Use the LEFT/RIGHT arrows to access the following readings, in order.)
 - Current A/B/C
 - Maximum Current
 - Minimum Current
 - Current %THD
 - Current Maximum %THD
 - Current Minimum %THD
 - Current Calculated N/Measured N
 - Maximum Current Calculated N/Measured N

- **Group 4: Watt/VAR** (Use the LEFT/RIGHT arrows to access the following readings, in order.)
 - kWatt/kVAR
 - Maximum +kWatt/+kVAR/CoIn kVAR
 - Maximum -kWatt/-kVAR/CoIn kVAR
 - Block (Fixed) Window Average Maximum +kWatt/+kVAR/CoIn kVAR
 - Predictive Rolling (Sliding) Window Maximum +kWatt/+kVAR/CoIn kVAR

- **Group 5: VA/PF/Frequency** (Use the LEFT/RIGHT arrows to access the following readings, in order.)
 - kVA/PF lag/Hz
 - Maximum kVA/Hz
 - Minimum kVA/Hz

- Maximum Quadrant 1 Total PF
- Minimum Quadrant 1 Total PF
- Maximum Quadrant 2 Total PF
- Minimum Quadrant 2 Total PF
- Maximum Quadrant 3 Total PF
- Minimum Quadrant 3 Total PF
- Maximum Quadrant 4 Total PF
- Minimum Quadrant 4 Total PF

■ **Group 6: Delivered Energy** (Use the LEFT/RIGHT arrows to access the following readings, in order.)

- +kWatthr Quadrant 1+Quadrant 4 (Primary)
- +kVAhr Quadrant 1 (Primary)
- +kVARhr Quadrant 1 (Primary)
- +kVAhr Quadrant 4 (Primary)
- -kVARhr Quadrant 4 (Primary)

■ **Group 7: Received Energy** (Use the LEFT/RIGHT arrows to access the following readings, in order.)

- -kWatthr Quadrant 2+Quadrant 3 (Primary)
- +kVAhr Quadrant 2 (Primary)
- +kVARhr Quadrant 2 (Primary)
- +kVAhr Quadrant 3 (Primary)
- -kVARhr Quadrant 3 (Primary)

■ **Group 8: Accumulations** (Use the LEFT/RIGHT arrows to access the following readings, in order.)

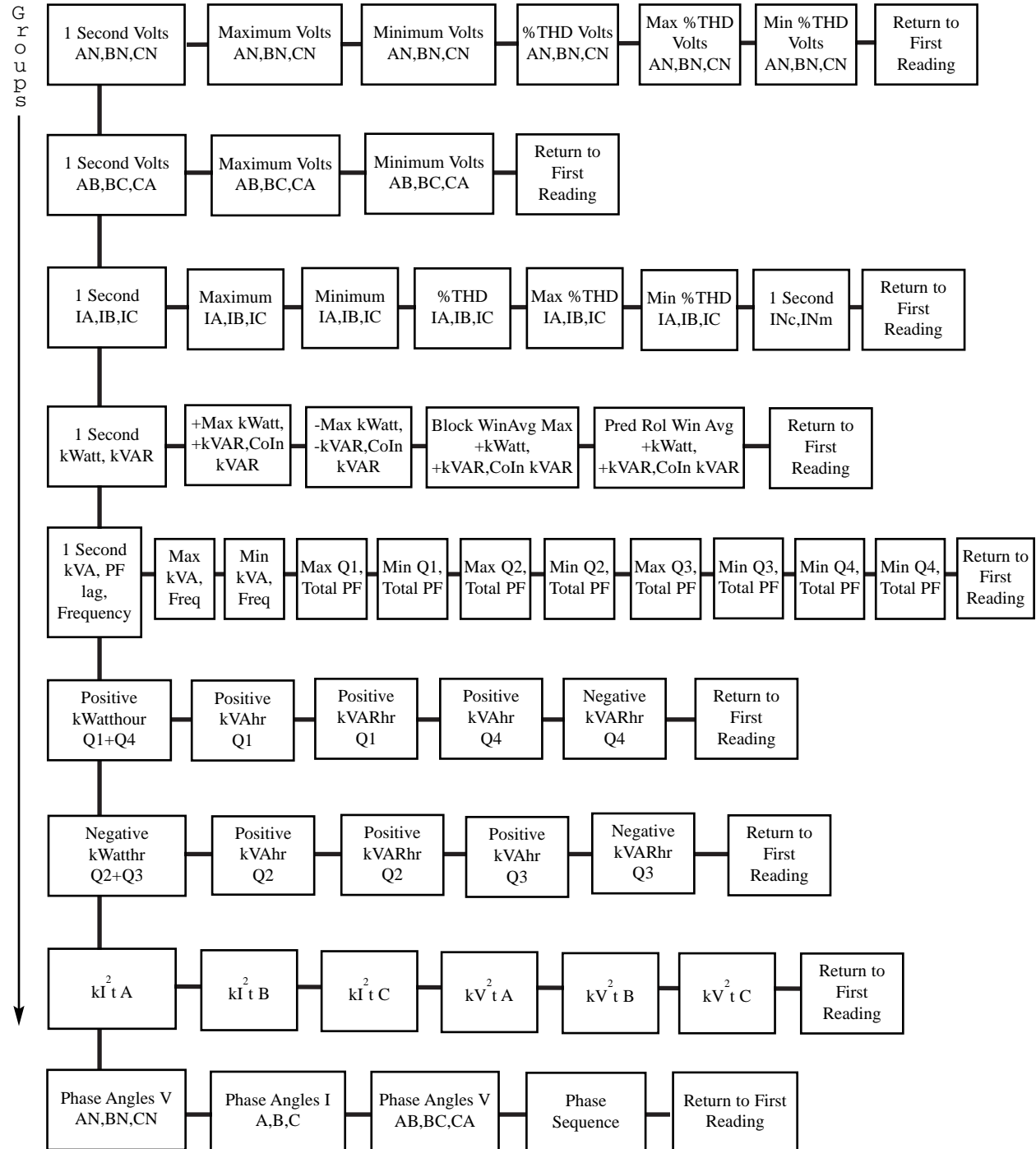
- kI^2t A
- kI^2t B
- kI^2t C
- kV^2t A
- kV^2t B
- kV^2t C

■ **Group 9: Phase Angles** (Use the LEFT/RIGHT arrows to access the following readings, in order.)

- Phase Angle Van/bn/cn
- Phase Angle Ia/b/c
- Phase Angle Vab/bc/ca
- Phase Sequence

6.4: Navigational Map of Dynamic Readings Mode

- Use LEFT/RIGHT arrow keys to navigate Readings
- Use UP/DOWN arrows to scroll between groups.



6.5: Nexus Information Mode

- Use the **MODE** button to access the Nexus Information Mode from other Modes. Use the **UP/DOWN** arrows to navigate from Group to Group within this Mode. See section 6.6 for a navigational map of the Nexus Information Mode.

- **Group 1: Device Time**
 - Meter Time

- **Group 2: Communication Settings** (Use the LEFT/RIGHT arrows to access the following readings, in order.)
 - Communication Settings Port 1: Baud/Addr/Protocol
 - Communication Settings Port 2: Baud/Addr/Protocol
 - Communication Settings Port 3: Baud/Addr/Protocol
 - Communication Settings Port 4: Baud/Addr/Protocol

- **Group 3: PT, CT Ratios** (Use the LEFT/RIGHT arrows to access the following readings, in order.)
 - PT Ratio
 - CT Ratio

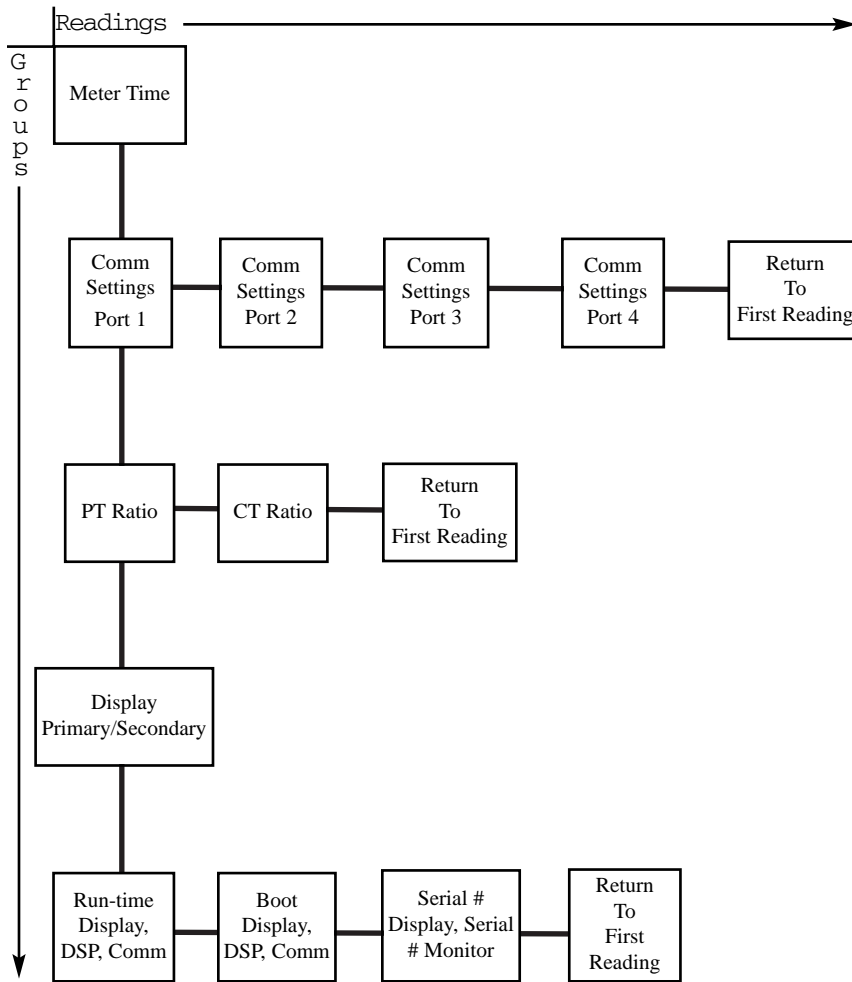
- **Group 4: External Display Units**
 - Primary/Secondary

 - Select either Primary or Secondary units for the External Display using the Communicator EXT software (see the *Energy Manager User Manual*). When Primary is selected, the Display shows all readings in Primary units based on the user programmed PT and CT Ratios. When Secondary is selected, the Display shows all readings in Secondary units.

- **Group 5: Firmware Versions and Serial Numbers** (Use the LEFT/RIGHT arrows to access the following readings, in order.)
 - Run Time External Display/Run Time DSP/RunTime Comm
 - Boot External Display/Boot DSP/Boot Comm
 - Serial Number External Display; Serial Number Nexus Monitor

6.6: Navigational Map of Nexus Information Mode

- Use UP/DOWN arrows to scroll between groups.
- Use LEFT/RIGHT arrows to scroll between readings.



6.7: Display Features Mode

- Use the **MODE** button to access the Display Features Mode from other Modes. Use the **UP/DOWN** arrows to navigate from Group to Group within this Mode. See section 6.8 for a navigational map of the Display Features mode.

■ Group 1: Reset Max/Min

- **Note:** If the **password protection** feature has been enabled with the Communicator EXT software, you will need to enter a password to reset the max/min readings. To do this, first press the Enter button. Then enter the password, one character at a time, by pressing on the UP or DOWN arrows. Each password character begins as an "A". Press the UP arrow to increment the character from "A-Z" and then from "0-9". Press the DOWN arrow to decrement the character from "A" to "9-0" and then from "Z-A". Press SET to enter each character the password. When the entire password is shown on the Display screen, press ENTER. If the password is correct you may then press Enter again to Reset the Energy readings.
- Press the **Enter** button to reset the Max and Min values.

■ Group 2: Reset Energy

- **Note:** If the **password protection** feature has been enabled with the Communicator EXT software, you will need to enter a password to reset the energy. To do this, first press the Enter button. Then enter the password, one character at a time, by pressing on the UP or DOWN arrows. Each password character begins as an "A". Press the UP arrow to increment the character from "A-Z" and then from "0-9". Press the DOWN arrow to decrement the character from "A" to "9-0" and then from "Z-A". Press SET to enter each character the password. When the entire password is shown on the Display screen, press ENTER. If the password is correct you may then press Enter again to Reset the Energy readings.
- Press **Enter** button to reset the Max and Min values.

■ Group 3: Display Baud Rate/Address

■ Group 4: Display Communication Protocol

■ Group 5: EIG Use Only

■ Group 6: EIG Use Only

■ Group 7: Lamp Test

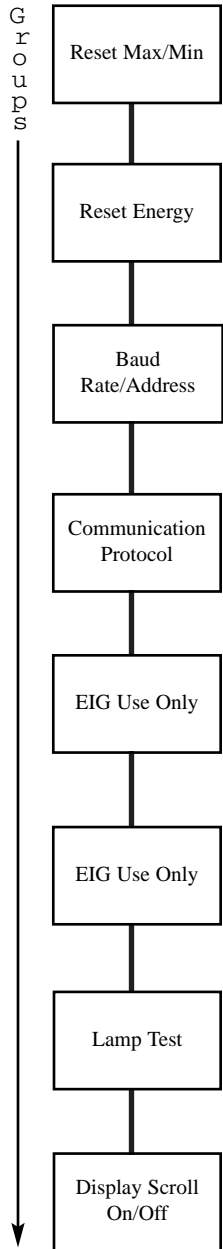
- Press **Enter** to conduct an LED test.

■ Group 8: Display Scroll ON/OFF

- Press **Enter** to turn the scroll feature on or off. When the scroll feature is on, the P40N External Display will scroll through the first reading of each group in the Dynamic Readings Mode. If a button is pressed during the scroll, scrolling pauses for one minute.

6.8: Navigational Map of Display Features Mode

- Use UP/DOWN arrows to scroll between groups.



6.9: Nexus P60N Touch Screen External Display

- The P60N Touch Screen External Display is ready to use upon power-up. Touching the “buttons” at the top of the screen will take you to the **Groups of Readings** listed below. With the “buttons” at the bottom of the screen, you can use the touch screen to review **Limits** and review and/or change **Settings** on the Display and the Nexus Meter. Also, you can Reset Max/Min and Demand, Hour, I²T and V²T Counters, All Logs and TOU for Current Session and Month using the **Reset** Button.
- All screens have a **Main** button that returns you to the Main screen below. All screens also have a **Next** button that will take you to the next group of readings. Some of the screens have additional navigation buttons to take you to complimentary readings. See section 6.10 for a navigational map.

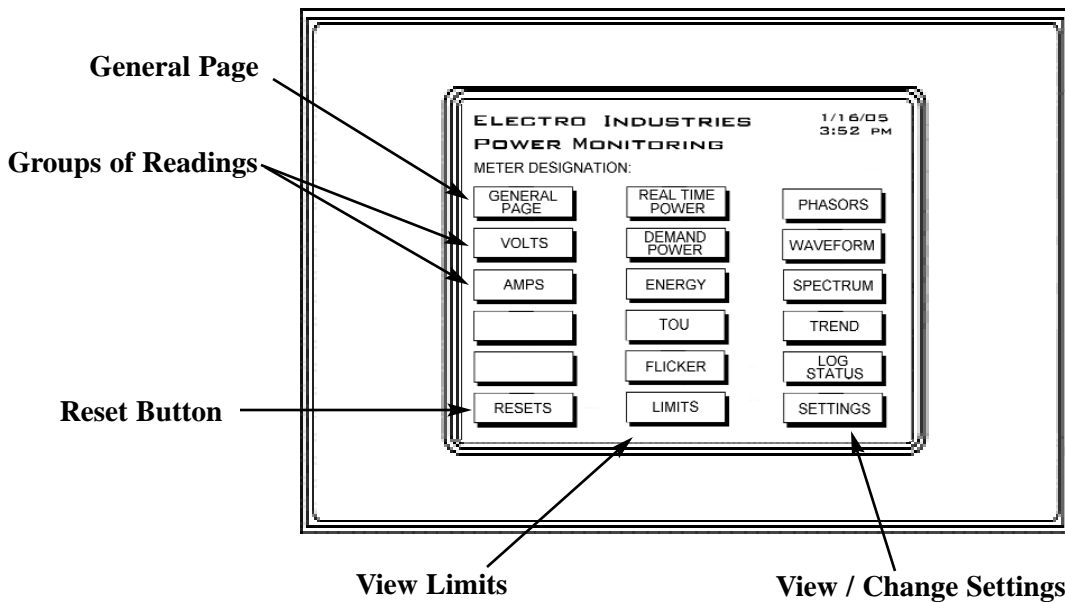


Figure 6.2: Nexus P60N Touch Screen External Display (Main Screen)

■ GENERAL PAGE: Overview of Real Time Readings

- Volts AN/BN/CN/AB/BC/CA
- Amps A/B/C
- Watts
- VARS
- VA
- FREQ
- PF

GENERAL PAGE				1/21/05 3:05 PM	
READINGS DETAILS					
	VOLTS		VOLTS		AMPS
A-N	122.52	A-B	0.00	A	0.294
B-N	122.51	B-C	0.00	B	14.837
C-N	122.52	C-A	0.00	C	0.295
WATTS		VARS		VA	FREQ
81.0		1779.0		1778.2	60.031
					PF
					0.019
					LAG
POLLING					
MAIN		NEXT			

■ **VOLTS: Voltage Readings Details**

- Real Time Volts AN/BN/CN/AB/BC/CA
- Maximum Volts AN/BN/CN/AB/BC/CA
- Minimum Volts AN/BN/CN/AB/BC/CA

Touch **PH-N** or **PH-PH** to view details of Phase-to-Neutral or Phase-to-Phase Readings.

VOLTAGE				1/21/05 3:05 PM	
READINGS DETAILS					
	REAL TIME	MAX	MIN		
	VOLTS	VOLTS	VOLTS		
A-N	123.04	234.85	0.00		
B-N	123.05	263.84	0.00		
C-N	123.05	234.85	0.00		
AUX	123.04	266.11	0.00		
A-B	0.00	80.14	0.00		
B-C	0.00	88.00	0.00		
C-A	0.00	18.08	0.00		

POLLING

MAIN NEXT PH-N PH-PH

■ **VOLTS: Voltage Readings PH-N**

- Volts AN/BN/CN

Touch **BACK** to return to the Volts main screen.

REAL TIME VOLTAGE		1/21/05 3:05 PM	
READINGS DETAILS			
	VOLTS		
A-N	121.72		
B-N	121.70		
C-N	121.72		

POLLING

MAIN NEXT BACK

■ **VOLTS: Voltage Readings PH-PH**

- Volts AB/BC/CA

Touch **BACK** to return to the Volts main screen.

REAL TIME VOLTAGE		1/21/05 3:05 PM	
READINGS DETAILS			
	VOLTS		
A-B	0.0000		
B-C	0.0000		
C-A	0.0000		

POLLING

MAIN NEXT BACK

■ **AMPS: Current Readings Details**

- Real Time Current A/B/C
- Maximum Current A/B/C
- Minimum Current A/B/C
- Current Calculated N/Measured N
- Maximum Current Calculated N/Measured N

Touch **A-B-C** to view Currents Detail.

CURRENT				1/21/05 3:05 PM	
READINGS DETAILS					
	REAL TIME	MAX	MIN		
	AMPS	AMPS	AMPS		
A	0.330	25.586	0.000		
B	0.330	14.977	0.000		
C	0.330	17.503	0.000		
Meas N	0.330	4.773	0.000		
Calc N	0.968	23.129	0.000		

POLLING

MAIN NEXT A-B-C

■ **AMPS: Current Readings A-B-C**

- Real Time Current A/B/C

Touch **BACK** to view the Amps main screen.

REAL TIME CURRENTS 1/21/05 3:05 PM
READINGS DETAILS

AMPS

A 0.280
 B 14.974
 C 0.293

POLLING
 MAIN NEXT BACK

■ **REAL TIME POWER: Real Time Power Readings Details**

- Instant Watt/VAR/VA/PF
- Average Watt/VAR/VA/PF
- Predicted Watt/VAR/VA

Touch the **DEMAND** button to go to the Demand Power screen (shown below)

REAL TIME POWER 1/21/05 3:05 PM
READINGS DETAILS

	INSTANT	AVERAGE	PREDICTED
WATTS	9290.	9290.	9079.
VARs	-14658.	-14658.	-14731.
VA	11732.	11732.	11635.
PF	-0.536	-0.536	
LEAD	LEAD	LEAD	

POLLING
 MAIN NEXT DEMAND

■ **DEMAND POWER: Demand Power Readings Details**

- Thermal Window Average Maximum +kWatt/+kVAR/CoIn kVAR
- Block (Fixed) Window Average Maximum +kWatt/+kVAR/CoIn kVAR
- Predictive Rolling (Sliding) Window Maximum +kWatt/+kVAR/CoIn kVAR

Touch **R/T** button to view Real Time Power screen.

DEMAND POWER 1/21/05 3:05 PM
READINGS DETAILS

	THERMAL	BLOCK	ROLLING
+KWATTS	9.8	9.8	9.1
- KWATTS	6553.6	6553.6	6553.6
+ WATTS	-14.7	-14.7	-12.1
Coin KVars			
- WATTS	0.0	0.0	0.0
Coin KVars			
+ KVARs	-6553.6	-6553.6	-6553.6
- KVARs	-16.9	-16.9	-14.9

POLLING
 MAIN NEXT R/T

■ **ENERGY: Accumulated Energy Information**

- -Watt/hr Quadrant 2+Quadrant 3 (Primary)
- +VA/hr Quadrant 2 (Primary)
- +VAR/hr Quadrant 2 (Primary)
- +VA/hr Quadrant 3 (Primary)
- -VAR/hr Quadrant 3 (Primary)
- +Watt/hr Quadrant 1+Quadrant 4 (Primary)
- +VA/hr for all Quadrants (Primary)

Touch **TOU** button to view TOU Register Accumulations screen.

ACCUMULATED ENERGY 1/16/05 3:54 PM
INFORMATION

VAR 00000000000000000000 VA 00000000000000000000	VAR 00000000000000000000 VA 00000000000000000000
DEL WATT Q2 Q1 0000000000000000702	REC WATT Q4 0000000088070247
VA 00000000000000000000 VAR 00000000000000000000	VA 0000000000061221713 VAR 0000000000012217891

POLLING
 MAIN NEXT TOU

■ **TOU: Accumulations**

- -Watthr Quadrant 2+Quadrant 3 (Primary)
- +VAhr Quadrant 2 (Primary)
- +VARhr Quadrant 2 (Primary)
- +VAhr Quadrant 3 (Primary)
- -VARhr Quadrant 3 (Primary)
- +Watthr Quadrant 1+Quadrant 4 (Primary)
- +VAhr Quadrants 1 & 4 (Primary)
- -VARhr Quadrant 4 (Primary)

Touch **DEMAND** to view Register Demand screen.
 Touch **Next Reg** to scroll Registers 1 - 8 and Totals.
 Touch **Next Group** to scroll Prior Season, Prior Month, Current Season, Current Month.

TIME OF USE READINGS 1/16/05 3:54 PM
REGISTER ACCUMULATIONS
 01/05/05 00:00:00 - 08/04/05 23:59:59

VAR 0000000000000000 VA 0000000000000000	VAR 00000000011816 VA 000000000096221
DEL WATT Q2 Q1 0000000000000001	REC WATT 000000010170247
VA 000000000012026 VAR 000000000000198	VA 000000000011221713 VAR 000000000012217891

POLLING REGISTER TOTALS NEXT REG
 MAIN NEXT DEMAND CURRENT MONTH NEXT GROUP

■ **TOU: Register Demand**

- Block (Fixed) Window +kWatt, +kVARhr, -kWatt, -kVARh, Coin +kVARh, Coin -kVARh

Touch **ACCUM** to view TOU Accumulations.
 Touch **Next Reg** to scroll Registers 1 - 8 and Totals.
 Touch **Next Group** to scroll Prior Season, Prior Month, Current Season, Current Month.

TIME OF USE READINGS 1/16/05 3:54 PM
REGISTER DEMAND
 01/16/05 00:00:00 - 10/04/05 23:59:59

BLOCK WINDOW

RECEIVED KWATT	57.40	01/16/05	09:58:03
RECEIVED KVAR	0.00	00/00/00	00:00:00
DELIVERED KVAR	-98.00	01/16/05	16:29:48
DELIVERED KWATT	0.00	00/00/00	00:00:00
COIN RECEIVED KVAR	-78.67		
COIN DELIVERED KVAR	0.00		

POLLING R-1 ON-PEAK NEXT REG
 MAIN NEXT ACCUM CURRENT MONTH NEXT GROUP

■ **FLICKER - INSTANTANEOUS:**

- Time Start/Reset, Stop, Current, Next PST, PLT
- Status (Active or Stopped)
- Frequency
- Base Voltage
- Frequency

Touch **SHORT TERM** or **LONG TERM** to view other Flicker screens.
 START or STOP will appear, depending on Status.

FLICKER - INSTANTANEOUS 1/16/05 3:52 PM

TIME

Start/Reset 08/03/04 07:15:40
 Stop 01/03/05 12:50:40
 Current 01/16/05 15:52:16
 Next PST 00min 00sec
 Next PLT 00min 00sec

STATUS - Stopped
 FREQUENCY Volts A 0.000 122.721 V
 Volts B 0.000 122.701 V
 Volts C 0.000 122.711 V
 Base 60 Hz
 Current 60.017 Hz
 BASE VOLTAGE 120 Volts

POLLING INST SHORT LONG
 MAIN NEXT START STOP RESET

■ **FLICKER - SHORT TERM:**

- Volts A/B/C
- Max Volts A/B/C
- Min Volts A/B/C

Touch **INST** or **LONG TERM** to view screens.
 START or STOP will appear, depending on Status.

FLICKER - SHORT TERM 1/16/05 3:52 PM

	PST	TIME
VOLTS A	0.000	00/00/0000 00:00:00.00
VOLTS B	0.000	00/00/0000 00:00:00.00
VOLTS C	0.000	00/00/0000 00:00:00.00
MAX VOI TS A	7.523	06/20/2004 09:10:00.19
MAX VOLTS B	7.112	06/20/2004 09:10:00.19
MAX VOLTS C	6.906	04/29/2004 15:30:00.13
MIN VOI TS A	0.023	04/30/2004 09:30:00.12
MIN VOLTS B	0.023	04/30/2004 09:30:00.12
MIN VOLTS C	0.023	04/30/2004 09:30:00.12

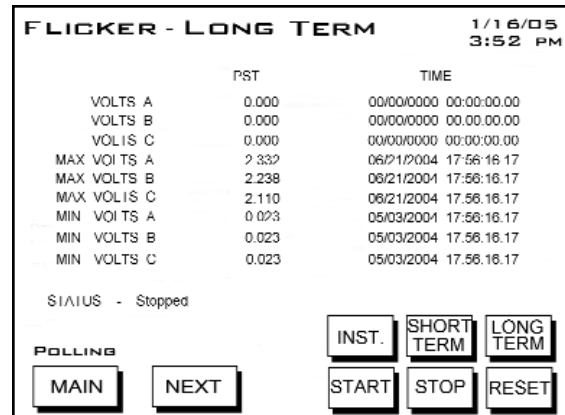
STATUS - Stopped

POLLING INST SHORT LONG
 MAIN NEXT START STOP RESET

■ **FLICKER - LONG TERM:**

- Volts A/B/C
- Max Volts A/B/C
- Min Volts A/B/C

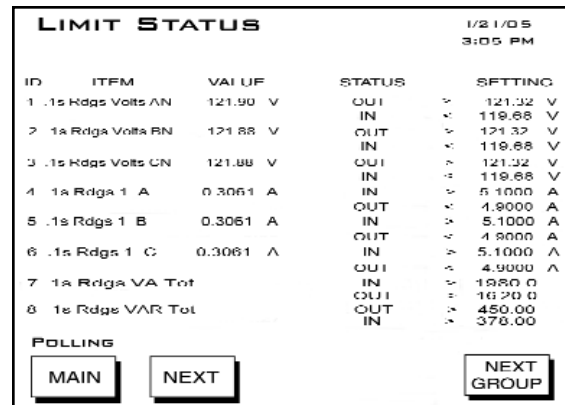
Touch **INST** or **LONG TERM** to view other Flicker screens.
START or **STOP** will appear, depending on Status.



■ **LIMITS: Limit Status**

Current Limits Settings for Nexus Meters, ID 1 - 32. For each ID number, the Type of Reading, Value, Status (In or Out of Limit) and Setting is shown. The first screen displays the settings for Meters ID 1 to 8.

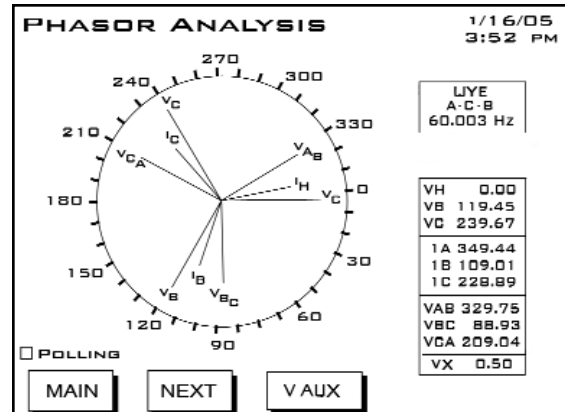
Touch **NEXT GROUP** to scroll to the next screen, which displays the settings for Meters ID 9 to 16. Touch **NEXT GROUP** again to view settings for Meters ID 17 to 24 and 25 to 32.



■ **PHASORS: Phasor Analysis**

Phase Angles for Form shown at top of the screen.

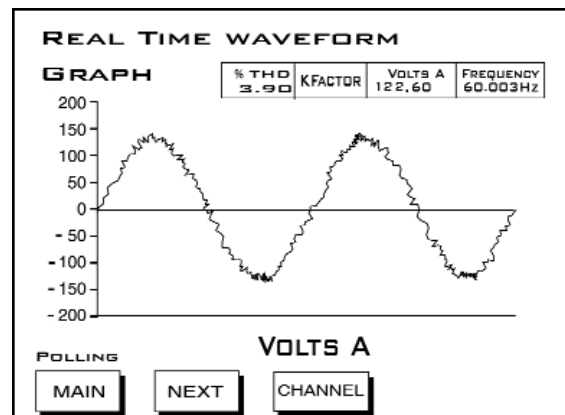
- Phase
- Phase Angle Van/bn/cn
- Phase Angle Ia/b/c
- Phase Angle Vab/bc/ca



■ **WAVEFORM: Real Time Graph.**

- Channel Va/b/c
- Channel Ia/b/c
- % THD, KFactor, Frequency for selected channel

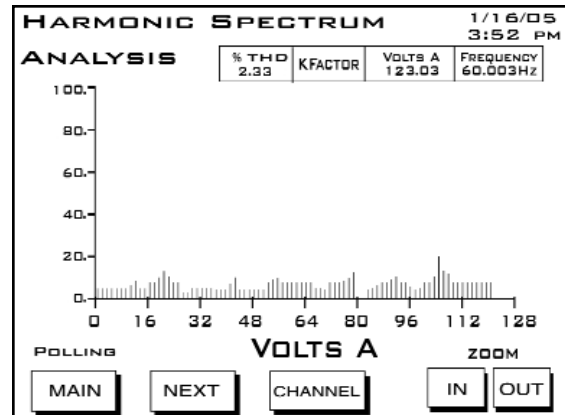
Touch **CHANNEL** button to view scroll through channels.



■ **SPECTRUM: Harmonic Spectrum Analysis.**

Select a Channel by touching the **CHANNEL** button. Graphs and readings appear for the selected channel.

Zoom In or Out for detail by touching **IN** or **OUT**.

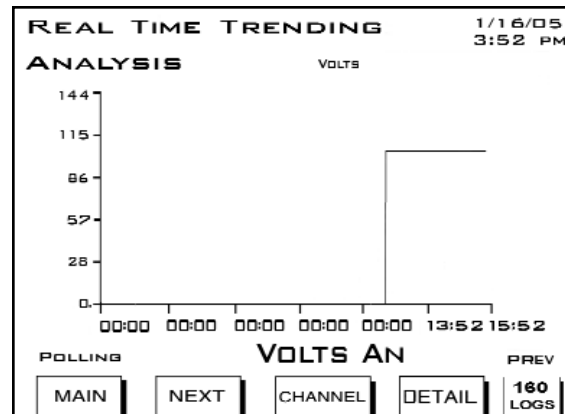


■ **REAL TIME TRENDING ANALYSIS:**

Select Channel by touching the **CHANNEL** button. The Channel Selector screen (shown below) appears.

Select a Channel and touch **OK** to select channel and return to this screen. Trending for the Selected Channel will begin on this screen.

To see a Detail of logs for the Selected Channel, touch the **DETAIL** Button. A Table of Logs for the Selected Channel appears (Volts AN shown below). Touch **PREVIOUS LOGS** to view other logs.

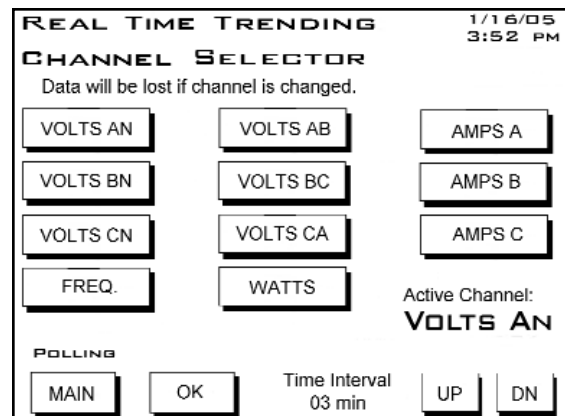


■ **REAL TIME TRENDING CHANNEL SELECTOR:**

Select Channel by touching a **CHANNEL** Button. The Active Channel appears at the lower right. **Data from the previously Active Channel will be lost if the Channel is changed.**

The Time Interval for Trending appears at the bottom of the screen. To increase the Interval, touch the **UP** button. To decrease the Interval, touch **DN** (Down).

Touch **OK** to return to Trending Analysis screen.



■ **REAL TIME TRENDING DETAIL**

A Table of Logs for the Selected Channel (Volts AN shown here).

Touch **BACK** to return to the Trending Analysis screen.

Touch **PREVIOUS LOGS** to view other logs.

DAY	TIME	LOGS	TIME	LOGS
13	14:36	123.37	14:06	123.68
	14:33	123.36	14:03	123.67
	14:30	123.38	14:00	123.64
	14:27	123.42	13:57	123.63
	14:24	123.47	13:54	123.59
	14:21	123.58	13:51	123.55
	14:18	123.63	13:48	123.58
	14:15	123.60	13:45	123.59
	14:12	123.63	13:42	123.57
	14:09	123.60	13:39	123.48

■ **LOG STATUS: Logging Statistics**

An Overview of the Logs for the Primary Meter.

The Number of Records and Memory Used are listed for each log.

LOGGING STATISTICS			1/16/05 3:56 PM
LOGS	RECORDS	MEMORY USED	
Historical Log1	8704	100%	
Historical Log2	3200	100%	
Limit Triggers	512	100%	
Limit Snapshots	512	100%	
Digital Input	0	0%	
Digital Input Snapshots	0	0%	
Digital Output Snapshots	0	0%	
Digital Output Snapshots	0	0%	
Flicker	1536	100%	
Waveform Triggers	26	41%	
Waveform Samples	26	41%	
PQ (CBEMA)	43	8%	

POLLING

MAIN NEXT

■ **RESET: Meter Reset Commands.**

WARNING! RESETS cause data to be lost.

Touch the window for the Reset you want to perform.

Don't Reset changes to Reset.

Touch **RESET NOW** button. OK will appear.

Touch **OK** to refresh screen (go back to original screen).

- Max/Min and Demand.
- Hour, I²T and V²T Counters.
- All Logs.
- TOU for Current Session and Month.

METER RESET COMMANDS 1/16/05 3:56 PM

DON'T RESET MAX/MIN AND DEMAND

DON'T RESET HOUR, I²T AND V²T COUNTERS

DON'T RESET ALL LOGS

DON'T RESET TOU FOR CURRENT SEASON & MONTH

MAIN RESET NOW

■ **SETTINGS:**

■ **LCD SCREEN SETTINGS:**

Contrast. Touch Up/Down buttons to increase/decrease settings.

Number 37 is optimum setting.

Backlight Off Delay (number of seconds after use that backlight turns off).

Touch Up/Down buttons to increase/decrease settings.

LCD SCREEN SETTINGS 1/16/05 3:56 PM

CONTRAST 37

BACKLIGHT OFF DELAY (SEC) 388

MAIN NEXT

■ **NEXUS LINK SETTING:**

Nexus Address (000 - 255).

Touch Up/Down buttons to increase/decrease settings.

Protocol (selected).

Baud (selected).

NEXUS LINK SETTINGS 1/16/05 3:56 PM

NEXUS ADDRESS 001

PROTOCOL MODBUS RTU

BAUD 9600

POLLING

MAIN NEXT

■ **NEXUS PORT SETTINGS:**

- Port 1 (Baud and Protocol selected).
- Port 2 (Baud and Protocol selected).
- Port 3 (Baud and Protocol selected).
- Port 4 (Baud and Protocol selected).

NEXUS PORT SETTINGS			1/16/05 3:56 PM
PORT	BAUD	PROTOCOL	
1	115200	MODBUS RTU	
2	57600	MODBUS RTU	
3	9600	MODBUS RTU	
4	57600	MODBUS RTU	

POLLING

MAIN NEXT

■ **NEXUS STATUS:**

- Device Type: Nexus 1252
- Serial Number (10 digit number)
- Comm State: Healthy or Unhealthy
- Nv Ram: 4 MB
- DSP State: Healthy or Unhealthy
- Protection: Password Enabled or Disabled
- On Time: Current Date and Time

NEXUS STATUS		1/16/05 3:56 AM
DEVICE TYPE NEXUS 1252		
SERIAL NUMBER 0000000000	COMM STATE HEALTHY	
DSP STATE HEALTHY	DSP STATE HEALTHY	
PROTECTION FULL ACCESS VIA DISABLED PASSWORD	ON TIME 01/16/05 03:56:39	

POLLING

MAIN NEXT

■ **FIRMWARE VERSIONS:**

- Nexus 1252
- Boot: 601
- Run-time: 606
- DSP Boot: 600
- DSP Run-time: 604
- LCD Display: AAD

This screen displays the current firmware version for the Nexus and the display.

FIRMWARE VERSIONS		1/16/05 3:56 PM
NEXUS 1252		
BOOT	601	
RUN-TIME	606	
DSP BOOT	600	
DSP RUN-TIME	604	
LCD DISPLAY AAD		

POLLING

MAIN NEXT

Chapter 7

Transformer Loss Compensation

7.1: Introduction

- The Edison Electric Institute's *Handbook for Electricity Metering, Ninth Edition* defines Loss Compensation as:
A means for correcting the reading of a meter when the metering point and point of service are physically separated, resulting in measurable losses including I²R losses in conductors and transformers and iron-core losses. These losses may be added to or subtracted from the meter registration.
- Loss compensation may be used in any instance where the physical location of the meter does not match the electrical location where change of ownership occurs. Most often this appears when meters are connected on the low voltage side of power transformers when the actual ownership change occurs on the high side of the transformer. This condition is shown pictorially in Figure 7.1.

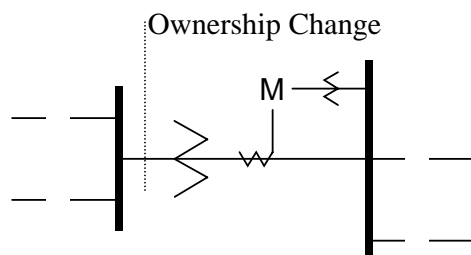


Figure 7.1: Low Voltage Metering Installation Requiring Loss Compensation

- It is generally less expensive to install metering equipment on the low voltage side of a transformer and in some conditions other limitations may also impose the requirement of low-side metering even though the actual ownership change occurs on the high-voltage side.
- The need for loss compensated metering may also exist when the ownership changes several miles along a transmission line where it is simply impractical to install metering equipment. Ownership may change at the midway point of a transmission line where there are no substation facilities. In this case, power metering must again be compensated. This condition is shown in Figure 7.2.

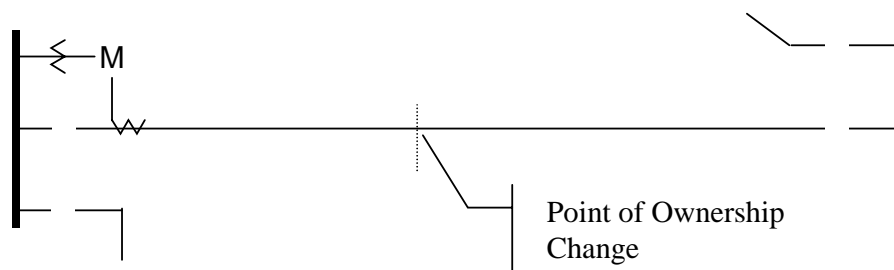


Figure 7.2: Joint Ownership Line Metering Requiring Loss Compensation

- A single meter cannot measure the losses in a transformer or transmission line directly. It can however, include computational corrections to calculate the losses and add or subtract those losses to the power flow measured at the meter location. This is the method used for loss compensation in the Nexus meter.
- The computational corrections used for transformer and transmission line loss compensation are similar. Generically, no-load losses and full-load losses are evaluated and a correction factor for each loss level is calculated. However, the calculation of the correction factors that must be programmed into the meter differ for the two different applications. For this reason, the two methodologies will be treated separately in this chapter.
- In the Nexus meter, Loss Compensation is a technique that computationally accounts for active and reactive power losses. The meter calculations are based on the formulas below. These equations describe the amount of active (Watts) and reactive (VARs) power lost due to both iron and copper effects (reflected to the secondary of the instrument transformers).

Total Secondary Watt Loss =

$$(((\text{Measured Voltage}/\text{Cal point Voltage})^2 \times \%LWFE) + ((\text{Measured Current}/\text{Cal Point Current})^2 \times \%LWCU)) \times \text{Full-scale Secondary VA}$$

Total Secondary VAR Loss =

$$(((\text{Measured Voltage}/\text{Cal point Voltage})^4 \times \%LVFE) + ((\text{Measured Current}/\text{Cal Point Current})^2 \times \%LVCU)) \times \text{Full-scale Secondary VA}$$

- The Values for %LWFE, %LWCU, %LVFE, %LVCU are derived from the transformer and meter information, as demonstrated in following sections.
- The calculated loss compensation values are added to or subtracted from the measured Watts and VARs. The selection of adding or subtracting losses is made through the meter profile when programming the meter. The meter uses the combination of the add/subtract setting and the directional definition of power flow (also in the profile) to determine how to handle the losses. Losses will be "added to" or "subtracted from" (depending on whether add or subtract is selected) the Received Power flow. For example, if losses are set to "Add to" and received power equals 2000 kW and losses are equal to 20kW then the total metered value with loss compensation would be 2020 kW; for these same settings if the meter measured 2000 kW of delivered power the total metered value with loss compensation would be 1980 kW.
- Since transformer loss compensation is the more common loss compensation method, the meter has been designed for this application. Line loss compensation is calculated in the meter using the same terms but the percent values are calculated by a different methodology as described in a subsequent section below.
- Nexus 1250/1252 Transformer Loss Compensation:
 - Performs calculations on each phase of the meter for every measurement taken. Unbalanced loads are accurately handled.
 - Calculates numerically, eliminating the environmental affects that cause inaccuracies in electromechanical compensators.

- Performs Bidirectional Loss Compensation.
 - Requires no additional wiring; the compensation occurs internally.
 - Imposes no additional electrical burden when performing Loss Compensation.
- Loss Compensation is applied to 1 second per phase Watt/VAR readings and, because of that, affects all subsequent readings based on 1 second per phase Watt/VAR readings. This method results in loss compensation be applied to the following quantities:
- Total Power.
 - Demands, per phase and Total (Thermal, Block (Fixed) Window, Rolling (Sliding) Window and Predictive Window).
 - Maximum and Minimum Demands.
 - Energy Accumulations.
 - KYZ Output of Energy Accumulations.

NOTE: Loss Compensation is disabled when the meter is placed in Test Mode.

7.2: Nexus 1250/1252 Transformer Loss Compensation

- The Nexus meter provides compensation for active and reactive power quantities by performing the numerical calculations using factors derived by clicking the TLC Calculator button on the Transformer Loss screen of the Device Profile or by manually figuring values in section 7.2.1, Calculating Transformer Loss Compensation Percentages (Work Sheet). Enter the derived values in the Device Profile screen of the Nexus Communicator software (values will automatically be entered from the TLC Calculator button).
- The Nexus Communicator software allows you to enable Transformer Loss Compensation for Losses due to Copper and Iron, individually or simultaneously. Losses can either be added to or subtracted from measured readings.
- Loss compensation values must be calculated based on the meter installation. As a result transformer loss values must be normalized to the meter by converting the base voltage and current and taking into account the number of elements used in the metering installation. For three element meters, the installation must be normalized to the phase-to-neutral voltage and the phase current; in two element meters the installation must be normalized to the phase-to-phase voltage and the phase current. This process is described in the following sections.

7.2.1: Loss Compensation in Three Element Installations

- Loss compensation is based on the loss and impedance values provided on the transformer manufacturer's test report. A typical test report will include at least the following information:
 - Manufacturer
 - Unit Serial Number
 - Transformer MVA Rating (Self-Cooled)
 - Test Voltage
 - No Load Loss Watts
 - Load Loss Watts (or Full Load Loss Watts)
 - % Exciting Current @ 100% voltage
 - % Impedance

- The transformer MVA rating is generally the lowest MVA rating (the self-cooled or OA rating) of the transformer winding. The test voltage is generally the nominal voltage of the secondary or low voltage winding. For three phase transformers these values will typically be the three-phase rating and the phase-to-phase voltage. All of the test measurements are based on these two numbers. Part of the process of calculating the loss compensation percentages is converting the transformer loss values based on the transformer ratings to the base used by the meter.

- Correct calculation of loss compensation also requires knowledge of the meter installation. In order to calculate the loss compensation settings you will need the following information regarding the meter and the installation:
 - Number of meter elements
 - Potential Transformer Ratio (PTR)
 - Current Transformer Ratio (CTR)
 - Meter Base Voltage
 - Meter Base Current

- This section is limited to application of Nexus meters to three-element metering installations. As a result, we know that:
 - Number of metering elements = 3
 - Meter Base Voltage = 120 Volts
 - Meter Base Current = 5 amps

- The loss compensation values can be calculated by clicking the **TLC Calculator** button on the Transformer Loss screen of the Nexus Device Profile (**MS Excel Spreadsheet**) or by completing the worksheet "Three Element Loss Compensation Worksheet" below. In order to activate the Excel Spreadsheet, you must have MS Excel installed on your computer.

NOTE: A copy of the **Excel Spreadsheet with Example Numbers** can be found in **Appendix A** of this manual.

7.2.1.1: Three Element Loss Compensation Worksheet

Company		Station Name	
Date		Trf Bank No.	
Trf Manf		Trf Serial No.	
Calculation by			

■ **Transformer Data (from Transformer Manufacturer's Test Sheet)**

Winding	Voltage	MVA	Connection
HV - High			Δ - Y
Xv - Low			Δ - Y
YV - Tertiary			Δ - Y

Value	Watts Loss		1-Phase kW
	3-Phase	1-Phase	
No-Load Loss			
Load Loss			

Enter 3-Phase or 1-Phase values. If 3-Phase values are entered, calculate 1-Phase values by dividing 3-Phase values by three. Convert 1-Phase Loss Watts to 1-Phase kW by dividing 1-Phase Loss Watts by 1000.

Value	3-Phase MVA	1-Phase MVA	1-Phase kVA
Self-Cooled Rating			

Enter 3-Phase or 1-Phase values. If 3-Phase values are entered, calculate 1-Phase values by dividing 3-Phase values by three. Convert 1-Phase Self-Cooled MVA to 1-Phase kVA by multiplying by 1000.

% Exciting Current	
% Impedance	

Value	Phase-to-Phase	Phase-to-Neutral
Test Voltage (volts)		
Full Load Current (Amps)		

Test Voltage is generally Phase-to-Phase for three-phase transformers. Calculate Phase-to-Neutral Voltage by dividing Phase-to-Phase Voltage by $\sqrt{3}$. Calculate Full Load Current by dividing the (1-Phase kW Self-Cooled Rating) by the (Phase-to-Neutral Voltage) and multiplying by 1000.

■ **Meter/Installation Data**

Instrument Transformers	Numerator	Denominator	Multiplier
Potential Transformer			
Current Transformer			
Power Multiplier [(PT Multiplier) times (CT Multiplier)]			

Enter the Numerator and Denominator for each instrument transformer. For example, a PT with a ratio of 7200/120 has a numerator or 7200, a denominator or 120 and a multiplier of 60 (7200/120 = 60/1).

Meter Secondary Voltage (volts)	120
Meter Secondary Current (amps)	5

■ **Base Conversion Factors**

Quantity	Transformer	Multiplier	Trf IT Sec	Meter Base	Meter/Trf
Voltage				120	
Current				5	

For Transformer Voltage, enter the Phase-to-Neutral value of Test Voltage previously calculated. For Transformer Current, enter the Full-Load Current previously calculated. For Multipliers, enter the PT and CT multipliers previously calculated.

TrfIT Secondary is the Base Value of Voltage and Current at the Instrument Transformer Secondary of the Power Transformer. These numbers are obtained by dividing the Transformer Voltage and Current by their respective Multipliers. The Meter/Trf values for Voltage and Current are obtained by dividing the Meter Base values by the TrfIT Secondary values.

■ **Load Loss at Transformer**

No-Load Loss Watts (kW) = 1-Phase kW No-Load Loss = _____

No-Load Loss VA (kVA) = (%Exciting Current) * (1-Phase kVA Self-Cooled Rating) / 100

= (_____) * (_____) / 100

= _____ kVA

No-Load Loss VAR (kVAR) = SQRT((No-Load Loss kVA)² - (No-Load Loss kW)²)

= SQRT((_____)² - (_____)²)

= SQRT((_____) - (_____))

= SQRT (_____)

= _____

Full-Load Loss Watts (kW) = 1-Phase Kw Load Loss = _____

Full-Load Loss VA (kVA) = (% Impedance) * (1-Phase kVA Self-Cooled Rating) / 100
 = (_____) * (_____) / 100
 = _____ kVA

Full-Load Loss VAR (kVAR) = SQRT((Full-Load Loss kVA)² - (Full-Load Loss kW)²)
 = SQRT((_____)² - (_____)²)
 = SQRT((_____) - (_____))
 = SQRT (_____))
 = _____

■ **Normalize Losses to Meter Base**

Quantity	Value at Trf Base	M/T Factor	M/T Factor Value	Exp	M/T Factor w/ Exp	Value at Meter Base
No-Load Loss kW		V		^2		
No-Load Loss kVAR		V		^4		
Load Loss kW		I		^2		
Load Loss kVAR		I		^2		

Enter Value at Transformer Base for each quantity from calculations above. Enter Meter/Trf Factor value from Base Conversion Factor calculations above. Calculate M/T Factor with Exponent by raising the M/T Factor to the power indicated in the “Exp” (or Exponent) column. Calculate the “Value at Meter Base” by multiplying the (M/T Factor w/ Exp) times the (Value at Trf Base).

■ **Loss Watts Percentage Values**

Meter Base kVA = 600 * (PT Multiplier) * (CT Multiplier) / 1000
 = 600 * (_____) * (_____) / 1000
 = _____

■ **Calculate Load Loss Values**

Quantity	Value at Meter Base	Meter Base kVA	% Loss at Meter Base	Quantity
No-Load Loss kW				% Loss Watts FE
No-Load Loss kVAR				% Loss VARs FE
Load Loss kW				% Loss Watts CU
Load Loss kVAR				% Loss VARs CU

Enter “Value at Meter Base” from Normalize Losses section. Enter “Meter Base kVA” from previous calculation. Calculate “% Loss at Meter Base” by dividing (Value at Meter Base) by (Meter Base kVA) **and multiplying by 100.**

Enter calculated % Loss Watts values into Nexus meter using Communicator software.

Chapter 8

Nexus Time-of-Use

8.1: Introduction

- A Time-of-Use (TOU) usage structure takes into account the quantity of energy used *and* the time at which it was consumed. The Nexus 1250/1252 TOU function, available with the Communicator EXT software, is designed to accommodate a variety of programmable rate structures. Nexus TOU accumulates data based on the time-scheme programmed into the Nexus Monitor.
- See the *Communicator EXT User Manual* for details on programming the Nexus 1250/1252 20 Year TOU calendar and retrieving TOU data.

8.2: The Nexus TOU Calendar

- A Nexus TOU calendar sets the parameters for TOU data accumulation. You may store up to twenty calendars in the Nexus 1250/1252 Monitor and an unlimited amount of calendar files on your computer.
- The Nexus TOU calendar profile allows you to assign a programmable usage **schedule**—eg, “Weekday,” “Weekend,” “Holiday”—to each day of the calendar year. You may create up to 16 different TOU schedules.
- Each TOU schedule divides the 24-hour day into fifteen-minute intervals from 00:00:00 to 23:59:59. You may apply one of eight different programmable **registers**—eg “Peak,” “Off Peak,” “Shoulder Peak”— to each fifteen-minute interval.
- The Nexus 1250/1252 Monitor stores:
 - accumulations on a seasonal basis, up to four seasons per year;
 - accumulations on a monthly basis.
- Seasonal and monthly accumulations may span one year into the next. Each season and month is defined by a programmable start/billing date, which is also the end-date of the prior season or month.
 - A season ends at midnight of the day before the start of the next season.
 - A month ends at midnight of the month’s billing day.
- If the year ends and there is no new calendar, TOU accumulations will stop. If a calendar is present for the following year, TOU accumulations continue until the next monthly bill date or next start-of-season is reached. Accumulation can span into the following year.
- If no following year is present, the last accumulation for the year will end on 12:31:23:59:59.

8.3: TOU Prior Season and Month

- The Nexus 1250/1252 Monitor stores accumulations for the prior season and the prior month. When the end of a billing period is reached, the current season or month becomes stored as the prior. The registers are then cleared and accumulations resume, using the next set of TOU schedules and register assignments from the stored calendar.
- Prior and current accumulations to date are always available.

8.4: Updating, Retrieving and Replacing TOU Calendars

- Communicator EXT software retrieves TOU calendars from the Nexus 1250/1252 Monitor or from the computer's hard drive for review and edit.
- Up to a maximum of twenty yearly calendars can be stored in the Nexus 1250/1252 Monitor at any given time. You may retrieve them one at a time; a new calendar can be stored while a current calendar is in use.
- Accumulations do not stop during calendar updates. If a calendar is replaced while in use, the accumulations for the current period will continue until the set end date. At that point, the current time will become the new start time and the settings of the new calendar will be used.
- Reset the current accumulations, if you replace a calendar in use. A reset clears only the current accumulation registers. This causes the current accumulations to use the present date as the start and accumulate to the next new end date, which will be taken from the new calendar. Once stored, prior accumulations are always available and can not be reset. See the *Nexus Communicator User Manual* for how to reset TOU accumulations.
- At the end of a defined period, current accumulations are stored, the registers are cleared and accumulations for the next period begin. When the year boundary is crossed, the second calendar, if present, is used. To retain continuity, you have up to one year to replace the old calendar with one for the following year.

8.5: Daylight Savings and Demand

- To use **Daylight Savings Time**, you must enable it in the Nexus Monitor's Device Profile, Time Settings. Click **Auto DST**, which sets Daylight Savings Time automatically (for the United States ONLY). You can also select **User Defined** and enter the desired dates for Daylight Savings Time. See the *Communicator EXT User Manual* for details.
- To set **Demand Intervals**, from the Device Profile select **Demand Integration** and set the desired intervals.

To set **Cumulative Demand Type**, from the Device Profile click **Cold Load Pickup** and select Block or Rolling Window Average.

Chapter 9

Nexus External I/O Modules

9.1: Hardware Overview

- All Nexus External I/O modules have the following components:
 - **Female RS-485 Side Port:** use to connect to another module's male RS-485 side port.
 - **Male RS-485 Side Port:** use to connect to the Nexus 1250/1252 Meter's Port 3 or 4 or to another module's female RS-485 side port. See Figure 9.2 for wiring detail.
 - **I/O Port:** used for functions specific to the type of module; **size and pin configuration vary depending on type of module.**
 - **Reset Button:** Press and hold for three seconds to reset the module's **baud rate to 57600** and its **address to 247** for 30 seconds.
 - **LEDs:** when flashing, signal that the module is functioning.
 - **Mounting Brackets (MBIO):** used to secure one or more modules to a flat surface.

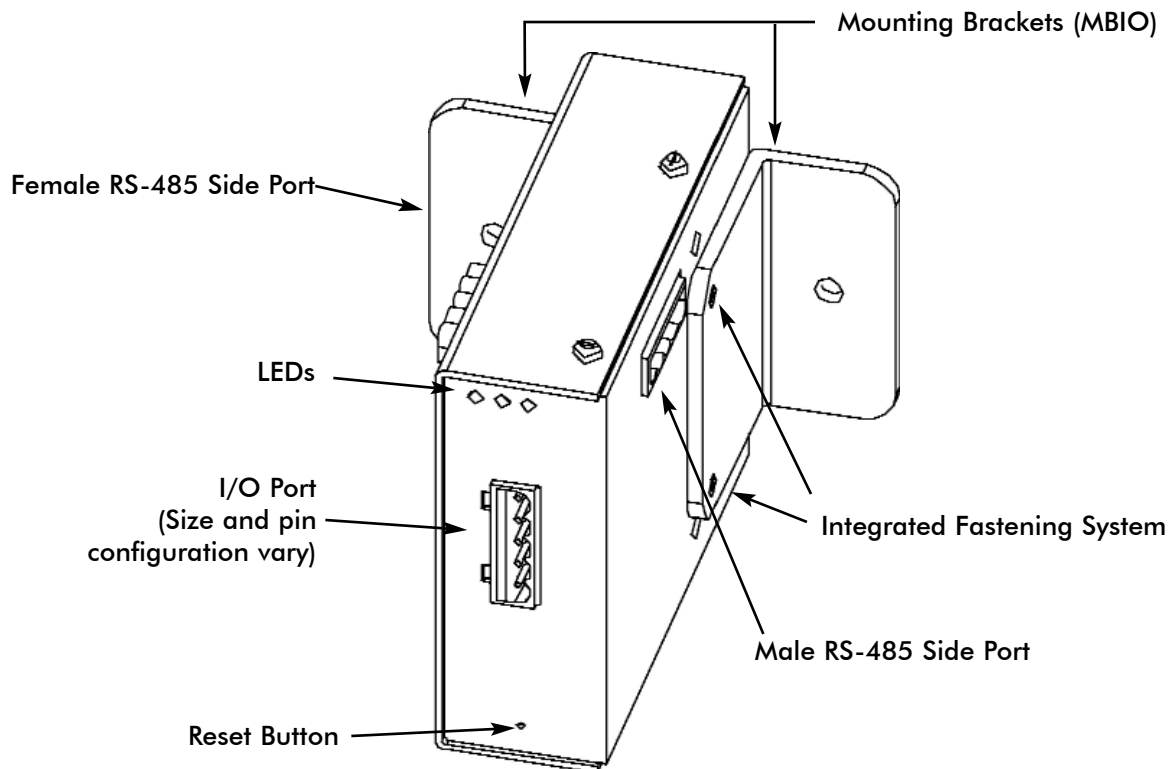
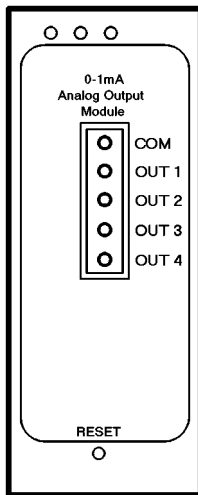


Figure 9.1: I/O Module Components

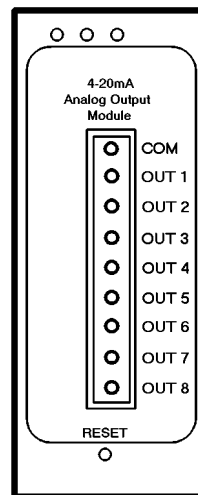
9.1.1: Port Overview

- All Electro Industries I/O Modules have ports through which they interface with other devices. The port configurations are variations of the four types shown below.

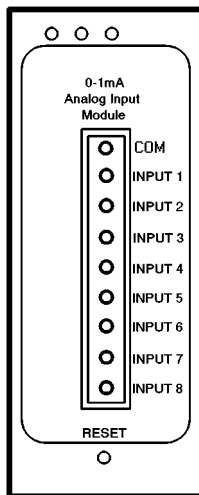
Four Analog Outputs (0-1mA and 4-20mA)



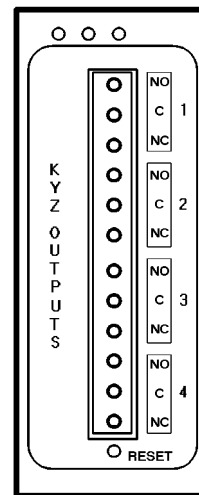
Eight Analog Outputs (0-1mA and 4-20mA)



Eight Analog Inputs (0-1mA, 0-20mA, 0-5V_{dc}, 0-10V_{dc}) or Eight Status Inputs



Four Relay Outputs or Four KYZ Pulse Outputs



9.2: Installing Nexus External I/O Modules

- I/O modules must use the Nexus 1250/1252 Meter's Port 3 or 4. Six feet of RS-485 cable harness is supplied. Attach one end of the cable to the port (connectors may not be supplied); insert the other end into the communication pins of the module's Male RS-485 Side Port. Follow steps below and see Figure 9.2 below. See section 9.3 for details on using multiple I/O modules.

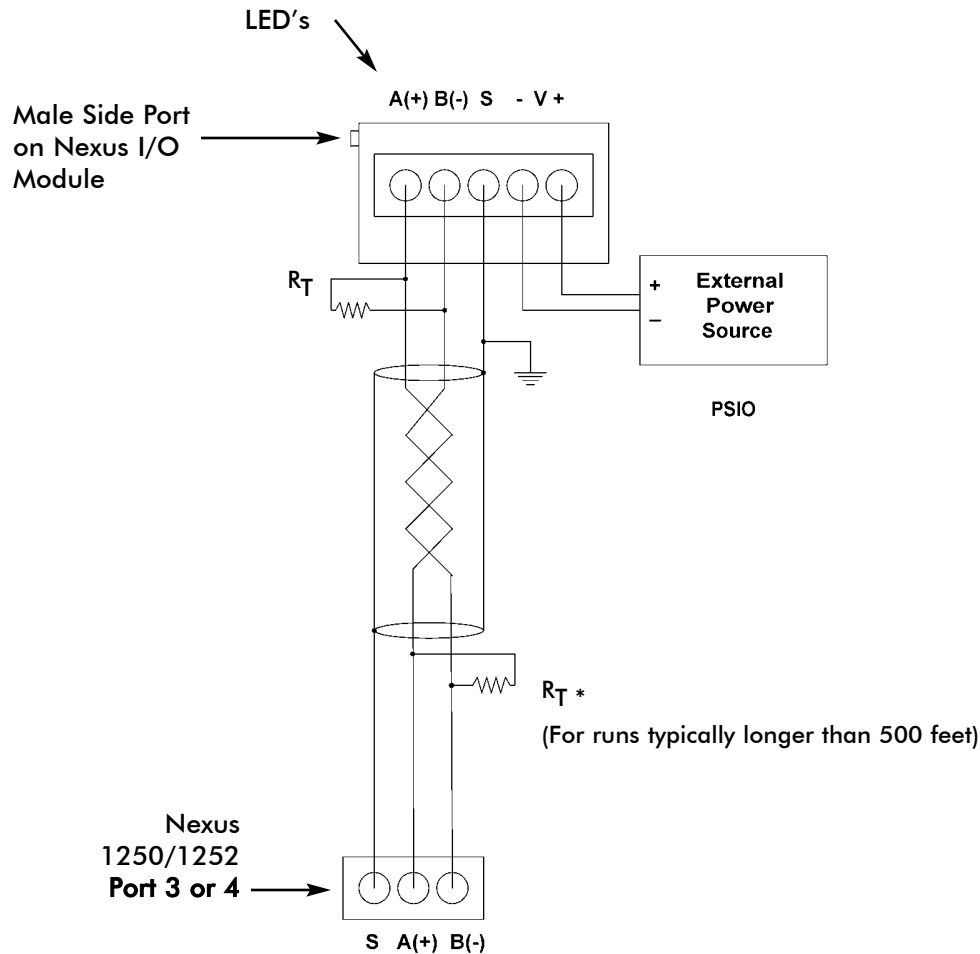


Figure 9.2: Nexus Meter Connected to I/O Module

- * NOTE: Termination Resistors are only needed with runs typically more than 500 feet. The meter has some level of termination internally and usually resistors are not needed.

9.2.1: Power Source for I/O Modules

- The Nexus 1250/1252 will supply power to a limited number (3) I/O MODULES. For more, you must use an **external power source**, such as the EIG PSIO (12V). **Refer to sections 5.12 and 5.13 to Determine Power Needed.** RS-485 communication is viable for up to 4000 feet (1219 meters).

You must also do the following:

1. Connect the A(+) and B(-) terminals on the Nexus to the A(+) and B(-) terminals of the male RS-485 port. Connect the shield to the shield (S) terminal. The (S) terminal on the Nexus is used to reference the Nexus port to the same potential as the source. It is not an earth ground connection. You must also connect the shield to earth-ground at one point.
2. Put termination resistors at each end, connected to the A(+) and B(-) lines. **NOTE:** Refer to section 5.3 for RT Explanation.
3. Connect a source of power to the front of the module.

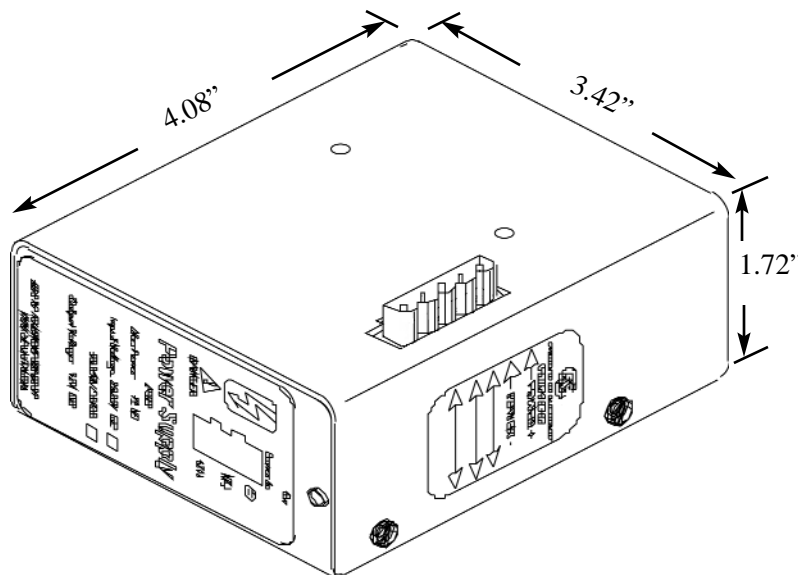


Figure 9.3: The PSIO Power Source (Side View) showing Male RS-485 Side Port

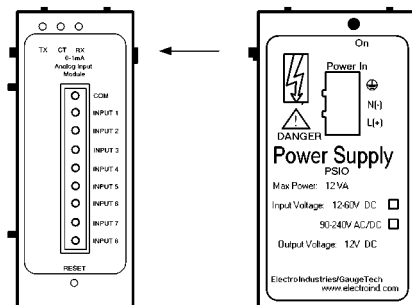
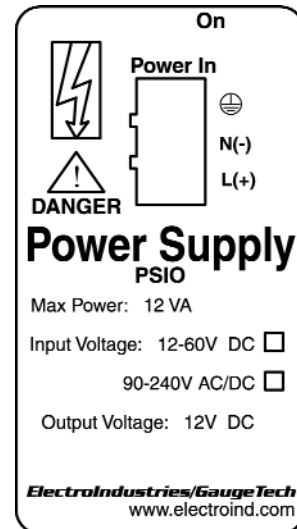


Figure 9.4: Power flow from PSIO to I/O Module

SIDE LABEL



TOP LABEL

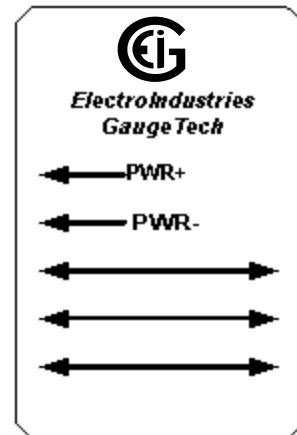


Figure 9.5: Labels for the PSIO Power Source (Labels are Red & White.)

9.3: Using PSIO with Multiple I/O Modules

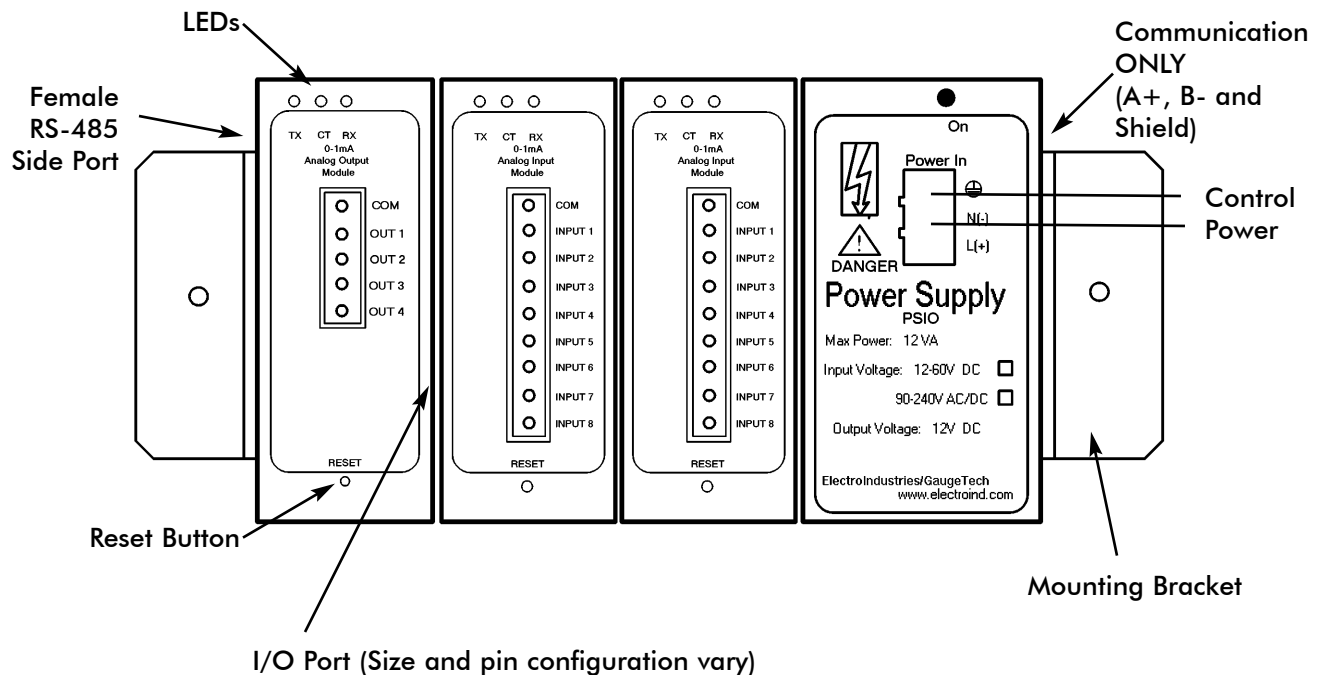


Figure 9.6: Using PSIO with Multiple I/O Modules

NOTE: PSIO must be to the right of I/O Modules when viewing the side label (as shown).

9.3.1: Steps for Attaching Multiple I/O Modules

1. Each I/O module in a group **must be assigned a unique address**. See the *Communicator EXT User Manual* for details on configuring and programming the I/O Modules.
2. Determine how many power sources (such as PSIO) are needed for the number of modules in use. See section 9.2.1 for details.
3. **Starting with the left module** and using a slotted screw driver, fasten the first I/O Module to the **left** Mounting Bracket. The left Mounting Bracket is the one with the **PEM**. Fasten the internal screw **tightly** into the left Mounting Bracket.
4. Next, slide the female RS-485 port into the male RS-485 side port to connect the next I/O module to the left module. **Fasten together enough to grab but do not tighten**. One by one combine the modules together using the **Integrated Fastening System** (Fig. 9.1). If you require an additional power supply, attach a PSIO (power supply) to the right of each group of **4** I/O Modules (section 9.3).

NOTE: The PB1 can also be used for a Low Voltage Power Supply. It must be mounted separately.

5. Once you have combined all the I/O modules together for the group, fasten tightly.
This final tightening will lock the whole group together as a unit.
6. Attach the **right** Mounting Bracket to the right side of the group using small phillips head screws provided.
7. Then, mount the group of modules on a secure, flat surface. This procedure will ensure that all modules stay securely connected.

9.4: Factory Settings and Reset Button

■ Factory Settings:

All Nexus I/O Modules are shipped with a preset address and a baud rate of 57600. See below for addresses.

■ Reset Button:

If there is a communication problem or if you are unsure of a module's address and baud rate, press and hold the RESET button for 3 seconds; the module will reset to a default address of **247 at 57600 baud rate for 30-seconds**. This will enable you to interrogate the I/O using the Communicator EXT software; see the *Modbus Communicating I/O Modules User Manual*.

<u>Model #</u>	<u>Module</u>	<u>Factory-Set Address</u>
1mAON4	0±1mA, 4-Channel Analog Output	128
1mAON8	0±1mA, 8-Channel Analog Output	128
20mAON4	4–20mA, 4-Channel Analog Output	132
20mAON8	4–20mA, 8-Channel Analog Output	132
8AI1	0±1mA, 8-Channel Analog Input	136
8AI2	0±20mA, 8-Channel Analog Input	140
8AI3	0±5V _{dc} , 8-Channel Analog Input	144
8AI4	0±10V _{dc} , 8-Channel Analog Input	148
4RO1	4 Latching Relay Outputs	156
4PO1	4 KYZ Pulse Outputs	160
8DI1	8 Digital Status Inputs (Wet/Dry)	164

9.5: Analog Transducer Signal Output Modules

Analog Transducer Signal Output Modules Specifications	
Model Numbers	1mAON4: 4-Channel Analog Output, 0±1mA
	1mAON8: 8-Channel Analog Output, 0±1mA
	20mAON4: 4-Channel Analog Output, 4–20mA
	20mAON8: 8-Channel Analog Output, 4–20mA
Accuracy	0.1% of Full Scale
Scaling	Programmable
Communication	RS-485, Modbus RTU
	Programmable Baud Rates: 4800, 9600, 19200, 57500
Power Requirement	15–20V _{dc} at 50–200mA; Nexus 1250/1252 Unit supports up to 2 Modules
Operating Temperature	(-20 to 79)°C / (-4 to +158)°F
Maximum Load Impedance	0±1mA: 10k Ω; 4–20mA: 500 Ω
Factory Settings	Modbus Address: 1mAON4, 0-1mA: 128 1mAON8, 0-1mA: 128 20mAON4, 4–20mA: 132, 20mAON8, 4-20mA: 132
	Baud Rate: 57600
	Transmit Delay Time: 0
Default Settings (Reset Button)	Modbus Address: 247
	Baud Rate: 57600
	Transmit Delay Time: 20 csec

9.5.1: Overview

- The Analog Transducer Signal Output Modules (0±1mA or 4–20mA) are available in either a 4- or 8-channel configuration. Maximum registers per request, read or write, is 17 registers.
- Nexus 1250/1252 Unit supplies power for up to two connected Analog Output modules. See section 9.2 for power and communication details. Refer to sections 5.12 - 5.13 to determine if you must use an additional power source, such as the EIG PSIO.
- All outputs share a single common point. This is also an isolated connection (from ground).

- The Modbus Map for the Analog Output Module (and operating details) can be found in the *Modbus Communicating I/O Modules Manual*.

9.5.2: Normal Mode

- Normal Mode is the same for the 0-1mA and the 4-20mA Analog Output Modules except for the number of processes performed by the modules.

Both devices:

1. Accept new values through communication.
2. Output current loops scaled from previously accepted values.

The 0-1mA module includes one more process in its Normal Mode:

3. Read and average the A/D and adjust values for Process 2 above.

- The device will operate with the following default parameters:

Address	247 (F7H)
Baud Rate	57600 Baud
Transmit Delay Time	0

- Normal Operation is prevented by a number of occurrences. See section 9.4.1 for details.

9.6: Analog Input Modules

Analog Input Modules Specifications	
Model Numbers	8AI1: 8-Channel Analog Input, 0±1mA
	8AI2: 8-Channel Analog Input, 0±20mA
	8AI3: 8-Channel Analog Input, 0±5V _{dc}
	8AI4: 8-Channel Analog Input, 0±10V _{dc}
Accuracy	0.1% of Full Scale
Scaling	Programmable
Communication	RS-485, Modbus RTU
	Programmable Baud Rates: 4800, 9600, 19200, 57600
Power Requirement	15-20V _{dc} at 50-200mA; Nexus 1250/1252 Unit supports up to 4 Modules
Operating Temperature	(-20 to 79)°C / (-4 to +158)°F
Maximum Load Impedance	0-1mA: 10k Ω; 4-20mA: 500 Ω
Factory Settings	Modbus Address: 8AI1, 0±1mA: 136; 8AI2, 0±20mA: 140 8AI3, 0±5V _{dc} : 144, 8AI4, 0±10V _{dc} : 148
	Baud Rate: 57600
	Transmit Delay Time: 0
Default Settings (Reset Button)	Modbus Address: 247
	Baud Rate: 57600
	Transmit Delay Time: 20 csec

9.6.1: Overview

- The Analog Input Modules (0±1mA, 0±20mA, 0±5V_{dc} and 0±10V_{dc}) are available in 8-channel format. Maximum registers per request, read or write, is 17 registers.
- Nexus 1250/1252 Unit supplies power for up to 4 connected Analog Input modules. See section 9.2 for power and communication details. Refer to sections 5.12 - 5.13 to determine if you must use an additional power source, such as the EIG PSIO.
- All inputs share a single common point. This is also an isolated connection (from ground).

- The Modbus Map for the Analog Output Module (and operating details) can be found in the *Modbus Communicating I/O Modules Manual*.

9.6.2: Normal Mode

- In Normal Mode, the Input Module:

1. Reads and averages the A/D and adjusts values for process 2.
2. Calculates the percentage of Input Value.

NOTE: The percentage value of the Input will be stored in Input Value Registers (Registers 04097-04104).

- The device will operate with the following default parameters:

Address	247 (F7H)
Baud Rate	57600 Baud
Transmit Delay Time	0

- Normal Operation is prevented by a number of occurrences. See section 9.4.1 for details.

9.7: Digital Dry Contact Relay Output (Form C) Module

Digital Dry Contact Relay Output (Form C) Module Specifications	
Model Number	4RO1: 4 Latching Relay Outputs
Accuracy	0.1% of Full Scale
Scaling	Programmable
Communication	RS-485, Modbus RTU
	Programmable Baud Rates: 4800, 9600, 19200, 57600
Power Requirement	15–20V _{dc} at 50–200 mA; Nexus 1250/1252 Unit supports up to 4 Modules
Operating Temperature	(-20 to 79)°C / (-4 to +158)°F
Maximum Load Impedance	0-1mA: 10k Ω; 4-20mA: 500 Ω
Factory Settings	Modbus Address: 156
	Baud Rate: 57600
	Transmit Delay Time: 0
Default Settings (Reset Button)	Modbus Address: 247
	Baud Rate: 57600
	Transmit Delay Time: 20 csec

9.7.1: Overview

- The Relay Output Module consists of four Latching Relay Outputs. In Normal Mode, the device accepts commands to control the relays. Relay output modules are triggered by limits programmed with the Communicator EXT software. See the *Communicator EXT User Manual* for details on programming limits.
- Nexus 1250/1252 Unit supplies power for up to 4 connected Relay Output modules. See section 9.2 for power and communication details. Refer to sections 5.12 - 5.13 to determine if you must use an additional power source, such as the EIG PSIO.
- The Modbus Map for the Analog Output Module (and operating details) can be found in the *Modbus Communicating I/O Modules Manual*.
- Each latching relay will hold its state in the event of a power loss.

9.7.2: Communication

- Maximum registers per request, read or write, is 4 registers.
- The device will operate with the following Default Parameters:

Address	247 (F7H)
Baud Rate	57600 Baud
Transmit Delay Time	20 csec
- Some situations will cause the device to operate with the above Default Parameters. See section 9.4.1 for details of Default Mode.

9.7.3: Normal Mode

- Normal Mode consists of one process:
 1. The device accepts new commands to control the relays.

9.8: Digital Solid State Pulse Output (KYZ) Module

Digital Solid State Pulse Output (KYZ) Module Specifications	
Model Number	4PO1
Communication	RS-485, Modbus RTU
	Programmable Baud Rates: 4800, 9600, 19200, 57600
Power Requirement	15–20V _{dc} at 50–200 mA; Nexus 1250/1252 Unit supports up to 4 Modules
Operating Temperature	(-20 to 79)°C / (-4 to +158)°F
Voltage Rating	Up to 300V _{dc}
Commands Accepted	Read and Write with at least 4 registers of data per command
Memory	256 byte I ² C EEPROM for storage of Programmable Settings and Nonvolatile Memory
Factory Settings	Modbus Address: 160
	Baud Rate: 57600
	Transmit Delay Time: 0
Default Settings (Reset Button)	Modbus Address: 247
	Baud Rate: 57600
	Transmit Delay Time: 20 csec

9.8.1: Overview

- The KYZ Pulse Output Modules have 4 KYZ Pulse Outputs and accept Read and Write Commands with at least 4 registers of data per command. Digital Solid State Pulse Output (KYZ) Modules are user programmed to reflect VAR-hours, WATT-hours, or VA-hours. See the *Modbus Communicating I/O Modules User Manual* for details on programming the module.
- Nexus 1250/1252 Unit supplies power for up to 4 connected KYZ Pulse Output modules. See section 9.2 for power and communication details. Refer to sections 5.12 - 5.13 to determine if you must use an additional power source, such as the EIG PSIO.
- The Modbus Map for the KYZ Pulse Output Module (and operating details) can be found in the *Modbus Communicating I/O Modules Manual*.
- NC = Normally Closed; NO = Normally Open; C = Common.

9.8.2: Communication

- Maximum registers per request, read or write, is 4 registers.
- The device will operate with the following Default Mode Parameters. See section 9.4.1 for details.

Address	247 (F7H)
Baud Rate	57600 Baud
Transmit Delay Time	20 csec

9.8.3: Normal Mode

- Energy readings are given to the device frequently. The device generates a pulse at each channel after a certain energy increase.
- Normal Operation consists of three processes:
 1. The first process accepts writes to registers 04097 - 04112. Writes can be up to four registers long and should end on the fourth register of a group (register 04100, or registers 04103-04112 or registers 04109-04112). These writes can be interpreted as two-byte, four-byte, six-byte or eight-byte energy readings. The reception of the first value for a given channel provides the initial value for that channel. Subsequent writes will increment the Residual for that channel by the difference of the old value and the new value. The previous value is then replaced with the new value. Attempting to write a value greater than the programmed Rollover Value for a given channel is completely ignored and no registers are modified. If the difference is greater than half of the programmed Rollover Value for a given channel, the write does not increment the Residual but does update the Last Value. Overflow of the Residual is not prevented.
 2. The second process occurs in the main loop and attempts to decrement the Residual by the Programmed Energy/Pulse Value. If the Residual is greater than the Programmed Energy/Pulse Value and the Pending Pulses Value for that channel is not maxed, then Residual is decremented appropriately and the Pending Pulses is incremented by two, signifying two more transitions and one more pulse.
 3. The third process runs from a timer which counts off pulse widths from the Programmable Minimum Pulse Width Values. If there are Pulses Pending for a channel and the delay has passed, then the Pulses Pending is decremented for that channel and the Output Relay is toggled.
- Operation Indicator (0000H = OK, 1000H = Problem):
 - Bit 1: 1 = EEPROM Failure
 - Bit 2: 1 = Checksum for Communications Settings bad
 - Bit 3: 1 = Checksum for Programmable Settings bad
 - Bit 4: 1 = 1 or more Communications Settings are invalid
 - Bit 5: 1 = 1 or more Programmable Settings are invalid
 - Bit 6: 1 = 1 or more Programmable Settings have been modified
 - Bit 7: 1 = Forced Default by Reset Value

 - Bit 15: 1 = Normal Operation of the device is disabled

9.9: Digital Status Input Module

Digital Status Input Module Specifications	
Model Number	8DI1
Communication	RS-485, Modbus RTU
	Programmable Baud Rates: 4800, 9600, 19200, 57600
Power Requirement	15–20V _{dc} at 50–200 mA; Nexus 1250/1252 Unit supports up to 4 Modules
Operating Temperature	(-20 to 79)°C / (-4 to +158)°F
Voltage Rating	Up to 300V _{dc}
Detection	Wet/Dry, Auto Detect
Memory	256 byte I ² C EEPROM for storage of Programmable Settings and Nonvolatile Memory
Factory Settings	Modbus Address: 164
	Baud Rate: 57600
	Transmit Delay Time: 0
Default Settings (Reset Button)	Modbus Address: 247
	Baud Rate: 57600
	Transmit Delay Time: 20 csec

9.9.1: Overview

- The Digital Status Input Module is used for either additional status detect or for accumulating pulses from external equipment, such as power meters, water meters, etc.
- Nexus 1250/1252 Unit supplies power for up to 4 connected Digital Status Input modules. See section 9.2 for power and communication details. Refer to sections 5.12 - 5.13 to determine if you must use an additional power source, such as the EIG PSIO.

9.9.2: Communication

- Maximum registers per request, read or write, is 4 registers.
- The device will operate with the following Default Mode Parameters. See section 9.4.1 for details.

Address	247 (F7H)
Baud Rate	57600 Baud
Transmit Delay Time	20 csec

9.9.3: Normal Mode

- The device is polling the inputs at 100Hz (once every 10 msec), debouncing the inputs and incrementing the Transition Accumulators for each channel as appropriate.

The inputs are represented by Channel 1 in the LSB through Channel 8 in the MSB of the low order byte of the register.

- The Modbus Map for the Digital Status Input Modules (and operating details) can be found in the *Modbus Communicating I/O Modules Manual*.

9.10: Specifications

- The following multiple analog or digital I/O modules mount externally to the Nexus Socket Meter. The Nexus 1262 and 1272 Units DO NOT SUPPORT I/O MODULES. Use an additional power supply, such as PSIO, to provide I/O capability. See Chapter 6 for mounting diagrams.
- Analog Transducer Signal Outputs (Up to two modules can be used with the Nexus.)
 - 1mAON4: 4 Analog Outputs, scalable, bidirectional.
 - 1mAON8: 8 Analog Outputs, scalable, bidirectional.
 - 20mAON4: 4 Analog Outputs, scalable.
 - 20mAON8: 8 Analog Outputs, scalable.
- Analog Transducer Inputs (Multiple modules can be used.)
 - 8AI1: 8 Analog Inputs 0–1mA, scalable and bidirectional.
 - 8AI2: 8 Analog Inputs 0–20mA, scalable and bidirectional.
 - 8AI3: 8 Analog Inputs 0–5V_{dc}, scalable and bidirectional.
 - 8AI4: 8 Analog Inputs 0–10V_{dc}, scalable and bidirectional.
- Digital Dry Contact Relay Outputs (Multiple modules can be used.)
 - 4RO1: 4 Relay Outputs 10 Amps, 125V_{ac}, 30V_{dc}, Form C.
- Digital Solid State Pulse Outputs (Multiple modules can be used.)
 - 4PO1: 4 Solid State Pulse Outputs, Form A KYZ pulses.
- Digital Inputs (Multiple modules can be used.)
 - 8DI1: 8 Digital status inputs Wet/Dry Auto Detect, up to 300V_{dc}.
- Other I/O Accessories
 - PSIO: External Power Supply which is necessary if you are connecting more than 2 to 4 I/O modules to a Nexus 1250/1252 Meter. The number is determined by the type of I/O Module.
 - MBIO: Bracket for surface-mounting I/O modules to any enclosure.

Chapter 10

Nexus Monitor with Internal Modem Option

10.1: Hardware Overview

- The Nexus 1250/1252 Monitor with the INP2, Internal Modem Option, has all the components of the standard Nexus Monitor **PLUS** the capability of connecting to a PC via standard phone line. No additional hardware is required to establish a virtually unlimited connection from a PC to a Nexus 1250/1252 with INP2, Internal Modem Option.

If desired, the internal expansion port of the Nexus 1250/1252 can be configured with an internal 56K bps modem. This gives Nexus Dial-In and Dial-Out capability without additional hardware. This is ideal for small remote applications.

When the device is configured with INP2, Port 2 becomes a gateway allowing other Modbus-based serial devices access to the phone line. Additional connections can include a daisy chain of standard Nexus Monitors. A Daisy Chain can include up to 31 meters. If more are desired, the installation of a repeater allows additional meters. (See section 5.14 for repeater details.)

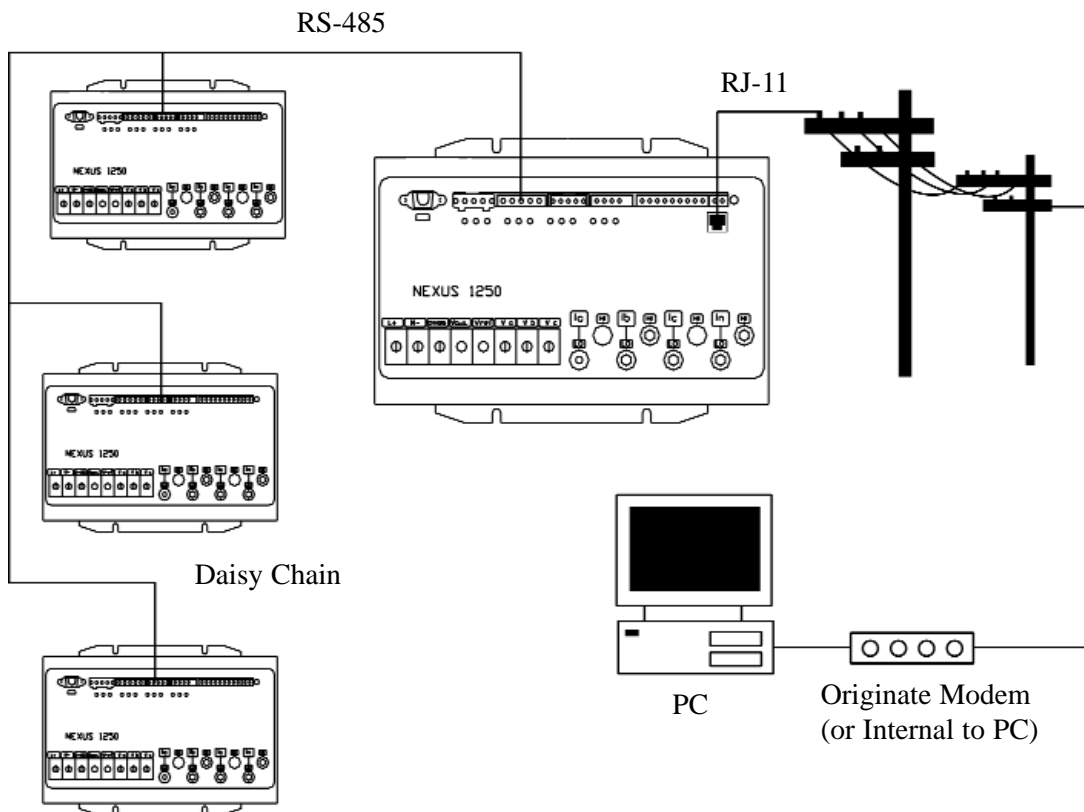


Figure 10.1: Nexus with Internal Modem Option

10.2: Hardware Connection

- Use RJ-11 Standard Telephone Line to connect with an INP2 Option Nexus. The RJ-11 line is inserted into the RJ-11 Port on the face of the Nexus 1250/1252 with Internal Modem Option. The connection using RJ-11 into the Nexus is virtually unlimited, since it utilizes a PSTN (Public Switched Telephone Network). To connect with other Nexus 1250/1252 Monitors in either local or remote locations, you **MUST** use **Port 2** as a Master and an RS-485 connection to **any port** on the remote Nexus. The Address of the remote Nexus **MUST** be something other than "1". The link using RS-485 is viable for up to 4000 feet (1219 meters).

10.3: Dial-In Function

- The modem **continuously monitors the telephone line to detect an incoming call**. When an incoming call is detected, the modem will wait a user-set number of rings and answer the call. The modem can be programmed to check passwords and lock out unsuccessful attempts to connect.

When an incoming call is successfully connected, the control of communications is passed to the calling software program. The modem will respond to computer demands to **download data** or perform **other actions** authorized by the meter passwords.

10.4: Dial-Out Function

- The Dial-Out Function is intended to allow the meter to **automatically report certain conditions without user intervention**. The modem is normally polling the meter to determine if any abnormal or reportable conditions exist. The modem checks the following meter conditions and programmed events (set in Nexus Communicator) to determine if a call should be placed.

- Are any meter set-point limits exceeded?
- Has status of high-speed inputs changed?
- Has waveform been recorded?
- Has power quality event been recorded?
- Has a control output changed?
- Is either history log approaching a full condition?
- Is the event log approaching a full condition?
- Is any other log approaching a full condition?
- Has the Modem Password failed?
- Has Communication with the Nexus failed?

- If any of the monitored events exist, the modem will **automatically initiate a call to a specified location to make a report or perform some other function**. For log full conditions, the meter will automatically download the log(s) that are nearing the full state. The modem can be programmed to call **two different numbers** to make the required reports, **Primary and Backup**.

- The modem can be programmed with an ASCII string for identification purposes. If this string is present, the modem will play the string to the host computer upon connection to identify the meter to the host software.

Refer to the *Communicator EXT Software Manual* for programming details.

Chapter 11

Nexus Meter with Internal Network Option

11.1: Hardware Overview

- The Nexus 1250/1252 Meter with the Internal Network Option has all the components of the standard Nexus Meter **PLUS** the capability of connecting to a multiple PC's via Modbus/TCP over Ethernet. Additional hardware is not required to establish a connection from a network to a Nexus with Internal Network Option.

With the Internal Network Option, the Nexus 1250/1252 provides an Ethernet Gateway, allowing access to other Modbus/RTU devices. Additional connections can include a daisy chain of standard Nexus Meters. A daisy chain can include up to 31 meters. If more are desired, the installation of a repeater allows additional meters. (See section 5.15 for repeater details.)

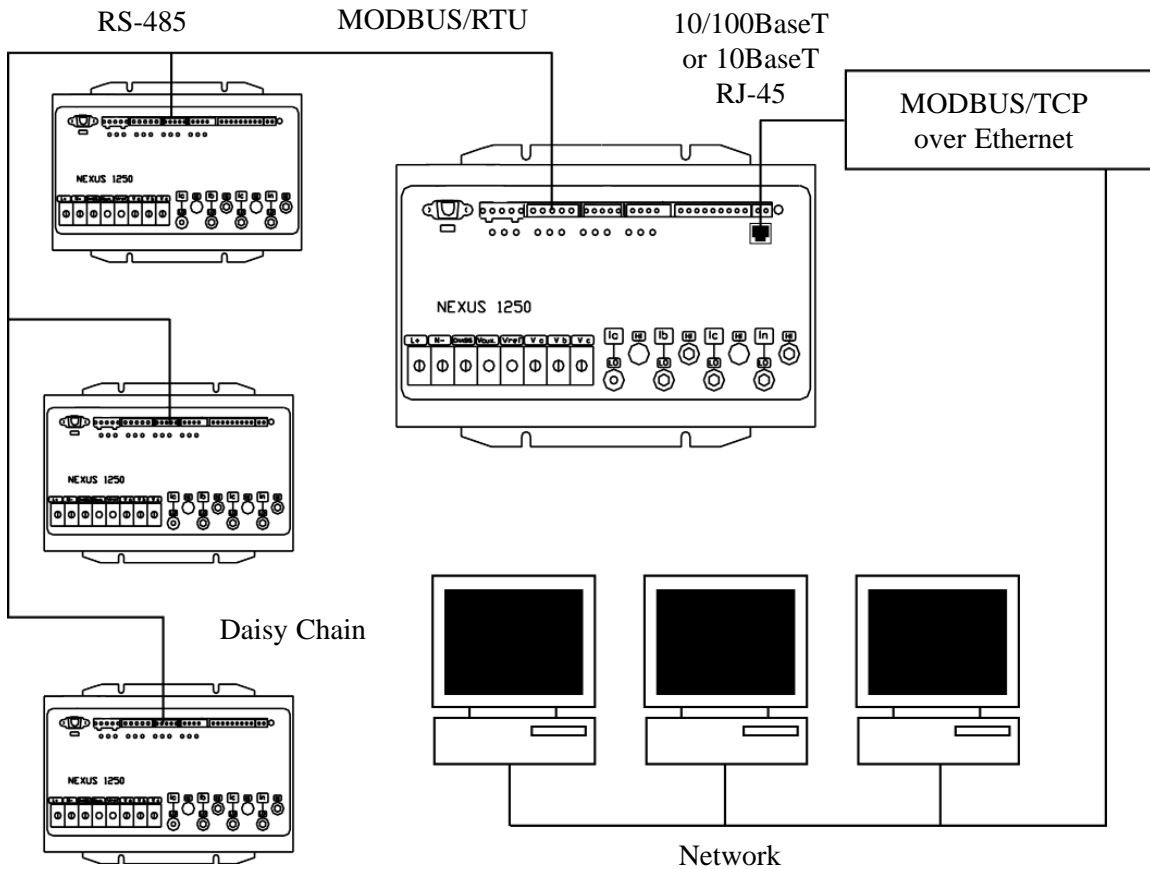


Figure 11.1: Nexus with Internal Network Option

- The Internal Network Option of the Nexus Meter is an extremely versatile communications tool.
 - Adheres to IEEE 802.3 ethernet standard using TCP/IP.
 - Utilizes simple and inexpensive 10/100BaseT wiring and connections.
 - Plugs right into your network using built-in RJ-45 jack.
 - Programmable to any IP address, subnet mask and gateway requirements.
 - Communicates using the industry standard Modbus/TCP protocol.
- With the Internal Network Option, the standard Port 2 on the Nexus 1250/1252 becomes a “gateway” to allow additional Nexus Meters access via the LAN. Simply connect a daisy chain of Nexus Meters together via RS-485, each with its own device address and using the same baud rates. With this option, you can access any of those instruments via the single LAN connection.
- The Internal Network Option allows multiple simultaneous connections (via LAN) to the Nexus. You can access the Nexus with SCADA, MV90 and RTU all at the same time.
- The Internal Network Option allows multiple users running Communicator EXT software to access the meter concurrently.

11.2: Hardware Connection

- Use Standard RJ-45 10/100BaseT cable to connect with the Nexus 1250/1252. The RJ-45 line is inserted into the RJ-45 Port on the face of the Nexus with Internal Network Option.

- Set the IP Address using the following steps:
(Refer to Section 3.5 of the *Communicator EXT User Manual* for more details).

1. From the Device Profile screen, double-click on the Communications Ports line, then double-click on any of the ports. The Device Profile Communications Settings screen appears.
2. In the Network Settings section, enter data provided by your systems manager:

IP Address:	10.0.0.1	(Example)
Subnet Mask:	255.255.255.0	(Example)
Default Gateway:	0.0.0.0	(Example)
Computer Name:	NETWORK	(Example)
Baud Rate:	115200	(Example)

NOTE: DO NOT check Obtain IP Address using DHCP Server, if you have an IP Address.

- After the above parameters are set, Communicator EXT will connect via the network using a Device Address of “1” and the assigned IP Address using the following steps:

1. Double click on Communicator EXT icon to open.
2. Click the Connect icon in the icon tool bar. The Connect screen will appear.
3. Click the Network button at the top of the screen. The screen will change to one requesting the following information:

Device Address:	1
Host:	IP Address (per your network administrator). Example: 10.0.0.1
Network Port:	502
Protocol:	Modbus TCP

4. Click the Connect button at the bottom of the screen. Communicator EXT connects to the Nexus with the Host IP Address via the Network.

- To connect with other Nexus Meters in either local or remote locations, you **MUST** use the **Ethernet Gateway** as a Master and an RS-485 connection to **any port** on the remote Nexus.
- The Address of the remote Nexus **MUST** be something other than “1”. “1” is reserved for the Nexus connected to the network via its RJ-45.
- The link using RS-485 is viable for up to 4000 feet (1219 meters).

Chapter 12

Flicker

12.1: Overview

Flicker is the sensation that is experienced by the human visual system when it is subjected to changes occurring in the illumination intensity of light sources. The primary effects of flicker are headaches, irritability and sometimes epilepsy.

IEC 61000-4-15 and former IEC 868 describe the methods used to determine flicker severity. This phenomenon is strictly related to the sensitivity and the reaction of individuals. It can only be studied on a statistical basis by setting up suitable experiments among people.

12.2: Theory of Operation

Flicker can be caused by voltage variations which are caused by variable loads, such as arc furnaces, laser printers and microwave ovens. In order to model the eye brain change, which is a complex physiological process, the signal from the power network has to be processed while conforming with Figure 16.1 below.

- **Block 1** consists of scaling circuitry and an automatic gain control function that normalizes input voltages to Blocks 2, 3 and 4. For the specified 50 Hz operation, the voltage standard is 230 V RMS.
- **Block 2** recovers the voltage fluctuation by squaring the input voltage scaled to the reference level. This simulates the behavior of a lamp.
- **Block 3** is composed of a cascade of two filters and a measuring range selector. In this implementation, a log classifier covers the full scale in use so the gain selection is automatic and not shown here. The first filter eliminates the DC component and the double mains frequency components of the demodulated output.

The configuration consists of a .05 Hz Low High Pass filter and a 6 Pole Butterworth Low Pass filter located at 35 Hz. The second filter is a weighting filter that simulates the response of the human visual system to sinusoidal voltage fluctuations of a coiled filament, gas-filled lamp (60 W - 230 V). The filter implementation of this function is as specified in IEC 61000-4-15.

- **Block 4** is composed of a squaring multiplier and a Low Pass filter. The Human Flicker Sensation via lamp, eye and brain is simulated by the combined non-linear response of Blocks 2, 3 and 4.
 - **Block 5** performs an online statistical cumulative probability analysis of the flicker level. Block 5 allows direct calculation of the evaluation parameters Pst and Plt.
- Flicker Evaluation occurs in the following forms: Instantaneous, Short Term or Long Term. Each form is detailed below:

- **Instantaneous Flicker Evaluation**

An output of 1.00 from Block 4 corresponds to the Reference Human Flicker Perceptibility Threshold for 50% of the population. This value is measured in Perceptibility Units (PU) and is labeled Pinst. This is a real time value and it is continuously updated.

- **Short Term Flicker Evaluation**

An output of 1.00 from Block 5 (corresponding to the Pst value) corresponds to the conventional threshold of irritability per IEC 1000-3-3. In order to evaluate flicker severity, two parameters have been defined: one for the short term called Pst (defined in this section) and one for the long term called Plt (defined in the next section).

The standard measurement time for Pst is 10 minutes. Pst is derived from the time at level statistics obtained from the level classifier in Block 5 of the flicker meter. The following formula is used:

$$P_{st} = \sqrt{0.0314P_{0.1s} + 0.0525P_{1s} + 0.0657P_{3s} + 0.28P_{10s} + 0.08P_{50s}}$$

Where the percentiles P(0.1), P(1), P(3), P(10), P(50) are the flicker levels exceeded for 0.1, 1, 2, 20 and 50% of the time during the observation period. The suffix S in the formula indicates that the smoothed value should be used. The smoothed values are obtained using the following formulas:

$$\begin{aligned} P(1s) &= (P(.7) + P(1) + P(1.5))/3 \\ P(3s) &= (P(2.2) + P(3) + P(4))/3 \\ P(10s) &= (P(6) + P(8) + P(10) + P(13) + P(17))/5 \\ P(50s) &= (P(30) + P(50) + P(80))/3 \end{aligned}$$

The .3-second memory time constant in the flicker meter ensures that P(0.1) cannot change abruptly and no smoothing is needed for this percentile.

- **Long Term Flicker Evaluation**

The 10-minute period on which the short-term flicker severity is based is suitable for short duty cycle disturbances. For flicker sources with long and variable duty cycles (e.g. arc furnaces) it is necessary to provide criteria for long-term assessment. For this purpose, the long-term Plt is derived from the short-term values over an appropriate period. By definition, this is 12 short-term values of 10 minutes each over a period of 2 hours. The following formula is used:

$$P_{lt} = \sqrt[3]{\frac{\sum_{i=1}^N P_{sti}^3}{N}}$$

Where P_{sti} (i = 1, 2, 3, ...) are consecutive readings of the short-term severity P_{st}.

■ **Summary**

Flicker = Changes in the illumination of light sources due to cyclical voltage variations.

Pinst = Instantaneous flicker values in Perceptibility Units (PU).

Pst = Value based on 10-minute analysis.

Plt = Value based on 12 Pst values.

Measurement Procedure

1. Original Signal with amplitude variations.
2. Square demodulator.
3. Weighted filter.
4. Low pass filter 1st order.
5. Statistical computing.

■ Data available

Pst, Pst Max, Pst Min values for long term recording
 Plt, Plt Max, Plt Min values for long term recording

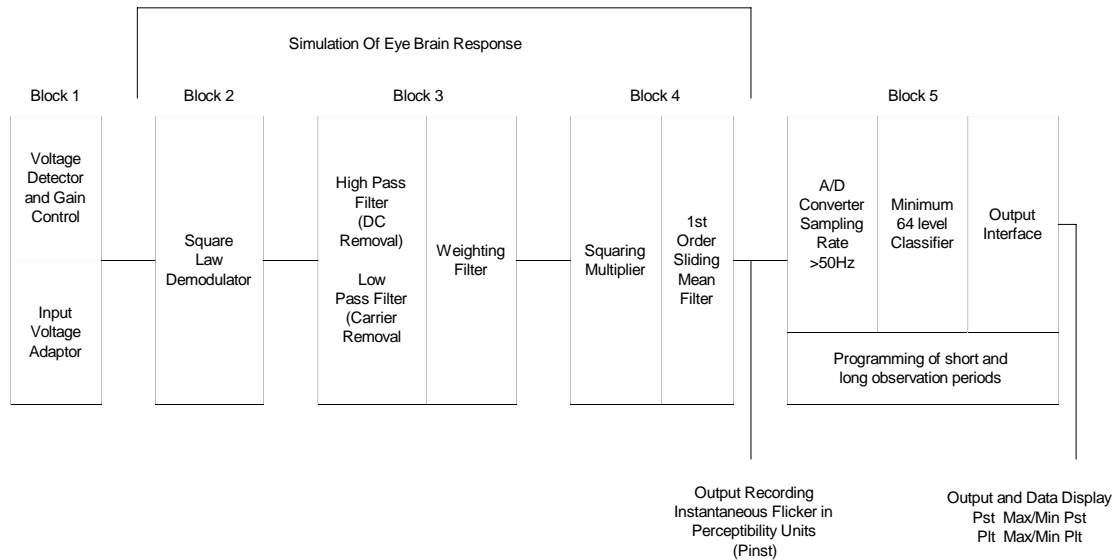
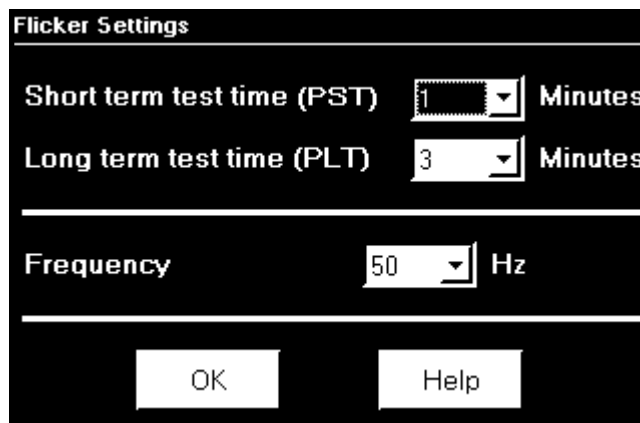


Figure 12.1: Simulation of Eye Brain Response

12.3: Setup

Initially the user must set up several parameters to properly configure Flicker. Using Communicator EXT, from the Icon Menu select Edit Device Profile. From the Device Profile, select Flicker Settings. The following screen will appear:



- Select a Pst time range from 1 to 10 minutes. The standard measurement period is nominally 10 minutes.
- Select a Plt time range from 1 to 240 minutes. The standard measurement is nominally 12 Pst periods (120 minutes). Plt time must always be equal to or greater than and a multiple of Pst time. This is reflected in the selections available to the user.
- Select the frequency of operation. 50 Hz is the approved frequency according to Flicker standards. A 60 Hz implementation is available and can be selected. This implementation is the proposed 60 Hz standard that is still in the approval process.

Remember the voltage is normalized. For 50 Hz, the normalized voltage is 230 V and for 60 Hz, the normalized voltage is 120 V.

Press OK when you are finished.

Press Help for more information on this topic.

12.4: Software - User Interface

■ Main screen

From the Communicator EXT Icon Menu select Real Time Poll, Flicker. The following screen appears:

Flicker		Instantaneous	Short Term	Long Term
Time				
Start/Reset	00/02/2000 01:27:52			
Stop	00/00/0000 00:00:00			
Current	07/22/2003 09:43:58			
Next PST	0 min, 2 sec			
Next PLT	0 min, 2 sec			
Status				
Active				
Frequency				
Base	60 Hz			
Current	60.074 Hz			
Base Voltage				
120 Volts				
Flicker Monitoring				
Start Stop Reset				
		OK	Help	Print

PINST		Voltage Reading	
Volts A	0.098	14416.550V	
Volts B	0.118	14396.360V	
Volts C	0.119	14359.710V	

This section describes the Main Screen functions. The available values (Instantaneous, Short Term, Long Term) will be described below.

Time

Start/Reset is the time when Flicker was started or reset. A **Reset** of Flicker causes the Max/Min values to be cleared and restarts the Flicker Pst and Plt timers. A **Start** of Flicker is also equivalent to a Reset in that the PST and PLT are restarted and the Max/Min Values are cleared.

Stop corresponds to the time when Flicker is turned off.

Current is the current clock time.

Next Pst is the countdown time to when the next Pst value is available.

Next Plt is the countdown time to when the next Plt value is available.

Status

Indicates the current status. Active = On. Stopped = Off.

Frequency

Base is the current operating frequency selected by the user (50 or 60 Hz).

Current is the real time frequency measurement of the applied voltage.

Base Voltage is the normalized voltage for the selected frequency (230 V for 50 Hz or 120 V for 60 Hz).

Flicker Monitoring

Clicking on Stop causes Flicker to stop being processed and freezes all the current values. Stop Time is recorded and clears the current Max/Min Values

Clicking on Start starts Flicker processing. Start Time is recorded.

Clicking on Reset causes the Max/Min values to be cleared and restarts the Flicker Pst and Plt timers.

Click OK to exit the Flicker screen.

Click Help for more information on this topic.

■ **Instantaneous Readings**

Refer to the Instantaneous section of the Main screen above. If you are on the Short or Long Term screens, click on the Instantaneous tab to display the Instantaneous screen. The PU values, Pinst for Voltage Inputs Va, Vb and Vc are displayed here and are continuously updated. The corresponding Current Voltage values for each channel are displayed for reference.

■ Short Term Readings

Click on the Short Term tab to access the screen containing three groups of Pst readings.

Pst Readings Displayed

- Current Pst values for Va, Vb and Vc and the time of computation.
- Current Pst Max values for Va, Vb and Vc since the last reset and the time of the last reset.
- Current Pst Min values for Va, Vb and Vc since the last reset and the time of the last reset.

The following screen is displayed:

Flicker		Instantaneous	Short Term	Long Term
Time		PST		Time
Start/Reset	00/02/2000 01:27:52	Volts A	0.355	07/22/2003 09:48:00.23
Stop	00/00/0000 00:00:00	Volts B	0.285	07/22/2003 09:48:00.23
Current	07/22/2003 09:48:19	Volts C	0.264	07/22/2003 09:48:00.23
Next PST	0 min, 41 sec	Max Volts A	13.344	00/02/2000 01:47:00.17
Next PLT	0 min, 41 sec	Max Volts B	13.993	00/14/2000 04:33:00.08
Status	Active	Max Volts C	15.815	00/14/2000 02:00:00.07
Frequency		Min Volts A	0.023	00/02/2000 01:42:00.09
Base	60 Hz	Min Volts B	0.023	00/02/2000 01:42:00.09
Current	60.074 Hz	Min Volts C	0.023	00/02/2000 01:42:00.09
Base Voltage	120 Volts			
Flicker Monitoring				
Start Stop Reset		OK	Help	Print

■ Long Term Readings

Click on the Long Term tab to access the Plt readings. The screen below displays three groups of Plt values.

Plt Readings Displayed

- Current Plt values for Va, Vb and Vc and the time of computation.
- Current Plt Max values for Va, Vb and Vc since the last reset and the time of the last reset.
- Current Plt Min values for Va, Vb and Vc since the last reset and the time of the last reset.

Flicker		Instantaneous	Short Term	Long Term
Time		PLT		
Start/Reset	00/02/2000 01:27:52	Time		
Stop	00/00/0000 00:00:00	Volts A	0.341	07/22/2003 09:58:00.11
Current	07/22/2003 09:58:12	Volts B	0.365	07/22/2003 09:58:00.11
Next PST	0 min, 48 sec	Volts C	0.257	07/22/2003 09:58:00.11
Next PLT	0 min, 48 sec	Max Volts A	13.344	00/02/2000 01:47:00.17
Status	Active	Max Volts B	13.993	00/14/2000 04:33:00.09
Frequency		Max Volts C	15.815	00/14/2000 02:00:00.07
Base	60 Hz	Min Volts A	0.023	00/02/2000 01:42:00.09
Current	60.074 Hz	Min Volts B	0.023	00/02/2000 01:42:00.09
Base Voltage	120 Volts	Min Volts C	0.023	00/02/2000 01:42:00.09
Flicker Monitoring				
Start Stop Reset		OK Help Print		

12.5: Logging

The Nexus is capable of logging Flicker values in an independent log. When Flicker is on, entries are made into the log in accordance with the times that associated values occur. Pst, Pst Max, Pst Min, Plt, Plt Max, Plt Min, Start/Reset and Stop times are all recorded. All values can be downloaded to the Log Viewer where they are available for graphing or export to another program, such as Excel. All Flicker values are predefined and cannot be changed.

12.6: Polling

The Pinst, Pst, Pst Max, Pst Min, Plt, Plt Max, Plt Min values are all capable of being polled through the Communications Port. Refer to the Nexus Modbus and DNP Mappings for register assignments and data definitions.

12.7: Log Viewer

From the Communicator EXT Log Viewer screen, using the menus at the top of the Log Viewer screen, select a meter, time ranges and values to access. Select Flicker.

The values and the associated time stamps (when the values occurred) are displayed in a grid box. Use the buttons at the bottom of the screen to create a graph or export the data to another program. Max and Min values are only displayed; they cannot be graphed. But, Max and Min values are available for export.

Graphed values include Pst and Plt Va, Vb and Vc.

Displayed values include Pst and Plt Max and Min for Va, Vb and Vc.

12.8: Performance Notes

Pst and Plt average time are synchronized to the clock (e.g. for a 10 minute average, the times will occur at 0, 10, 20, etc.). The actual time of the first average can be less than the selected period to allow for initial clock synchronization.

If the wrong frequency is chosen (e.g. 50Hz selection for a system operating at 60Hz), Flicker will still operate but the values computed will not be valid. Select carefully.

User settings are stored. If Flicker is on and power is removed from the meter, Flicker will still be on when power returns. This can cause data gaps in the logged data.

The Max and Min values are stored and are not lost if the unit is powered down.

Flicker meets the requirements of IEC 61000-4-15 and former IEC 868. Refer to those specifications for more details, if needed.

Operation is at 230V for 50Hz and 120V for 60Hz as per specification. If the input voltage is different, the system will normalize it to 230V or 120V for computational purposes.

Appendix A

Transformer Loss Compensation Excel Spreadsheet with Examples

A.1: Calculating Values

- Transformer Loss Compensation is discussed in Chapter 7 of this manual. Values for three element installations can be calculated in two ways:
 - Click the **TLC Calculator** button on the Transformer Loss screen of the Nexus Device Profile. The TLC Calculator button activates an Excel Spreadsheet, ONLY if you have MS Excel installed on your computer. **A copy of the Excel Spreadsheet is offered on the following pages with example numbers.**
 1. Enter the required data into the Excel Spreadsheet. The Excel program will calculate the values needed for the Transformer Loss screen of the Device Profile.
 2. Enter the values into the Device Profile.
 - Use the worksheet found in Chapter 7, “**Three Element Loss Compensation Worksheet**” to calculate the values by hand. Notes under each section will assist you.
 1. Enter values based on the transformer manufacturer’s test report. The worksheet is progressive and notes under each section will guide you to the next section.
 2. Enter the values into the Device Profile.

A.2: Excel Spreadsheet with Example Numbers

- If you have MS Excel installed in your computer, use the TLC Calculator button on the Transformer Loss screen of the Device Profile. The copy of the Spreadsheet with Example Numbers found on the following pages will assist you.

Electro Industries / GaugeTech

Westbury, NY

(877) EIMETER [877-346-3837]

Nexus Transformer Loss Compensation Calculation

Three Element Meter with 3 Wye-connected PT's and 3 CT's

Company:		Substation:	
Name:		Stn Trf Bank No.:	
Date:			
Trf Manf:			
Trf S/N:			

Loss Factors for Nx Communicator Software		Loss Factors	
		Calc	Used
% No-Load Loss Watts	%LWFE	#DIV/0!	#DIV/0!
% No-Load Loss VARs	%LVFE	#DIV/0!	#DIV/0!
% Full-Load Loss Watts	%LWCU	#DIV/0!	#DIV/0!
% Full-Load Loss VARs	%LVCU	#DIV/0!	#DIV/0!

Winding	Voltage	Connection	MVA Ratings
HV - High			
XV - Low			
YV - Tert.			

Transformer Test Data

Value	Watts Loss		Calculated	Calc kVA
	3 Phase	1 Phase		
No Load Loss Watts			0.00	0.00
Full Load Loss Watts			0.00	0.00
% Exciting Current				
% Impedance				

	3 Phase	1 Phase	Calculated
Self-Cooled kVA Rating			0

	Phase-to-Phase	Phase-to-Grd
Test Voltage		0
Full Load Current	#DIV/0!	

Meter / Installation Data

Instrument Transformers	Numerator	Denominator	Multiplier
Potential Trf			0
Current Trf			0
Power Multiplier	0		

Meter Secondary Voltage	120	120 volts for Nexus
Meter Secondary Current	5	5 amps for Nexus

Publishing and duplicating rights are property of Electro Industries/Gaugetech.
This spreadsheet is designed only to be used with EIG Nexus based metering equipment.

Electro Industries / GaugeTech

Westbury, NY

(877) EIMETER [877-346-3837]

Nexus Transformer Loss Compensation Calculation - Example

Three Element Meter with 3 Wye-connected PT's and 3 CT's

Company:	ABC Power Company	Substation:	Big Station
Name:	Joe Engineer	Stn Trf Bank No.:	131
Date:	2/14/2002		

Trf Manf:	ABB
Trf S/N:	AT4391-01

Loss Factors for Nx Communicator Software		Loss Factors	
		Calc	Used
% No-Load Loss Watts	%LWFE	0.04314	0.043
% No-Load Loss VARs	%LVFE	0.06765	0.068
% Full-Load Loss Watts	%LWCU	0.87524	0.875
% Full-Load Loss VARs	%LVCU	20.76262	20.763

Winding	Voltage	Connection	MVA Ratings
HV - High	138000	delta	16.8/22.4/28.0
XV - Low	13090	wye	
YV - Tert.			

Transformer Test Data

Value	Watts Loss		Calculated	Calc kVA
	3 Phase	1 Phase		
No Load Loss Watts	15400		5133.33	5.13
Full Load Loss Watts	69200		23066.67	23.07
% Exciting Current	0.183			
% Impedance	9.78			

	3 Phase	1 Phase	Calculated
Self-Cooled kVA Rating	16800		5600

	Phase-to-Phase	Phase-to-Grd
Test Voltage	13090	7558
Full Load Current	741	

Meter / Installation Data

Instrument Transformers	Numerator	Denominator	Multiplier
Potential Trf	7200	120	60
Current Trf	1500	5	300
Power Multiplier	18000		

Meter Secondary Voltage	120	120 volts for Nexus
Meter Secondary Current	5	5 amps for Nexus

Publishing and duplicating rights are property of Electro Industries/Gaugetech.
This spreadsheet is designed only to be used with EIG Nexus based metering equipment.

Electro Industries / GaugeTech

Westbury, NY

(877) EIMETER [877-346-3837]

Nexus Line Loss Compensation Calculation

Three Element Meter with 3 Wye-connected PT's and 3 CT's

Company:		Substation:	
Name:		Stn Trf Bank No.:	
Date:			

Metering Point Information	

Loss Factors for Nx Communicator Software		Loss Factors	
		Calc	Used
% Full-Load Loss Watts	%LWCU	#DIV/0!	#DIV/0!
% Full-Load Loss VARs	%LVCU	#DIV/0!	#DIV/0!

Transmission Line Impedance Data

Quantity	PU Value	% Value	Used
R			0
X			0
MVA Base			0
Nominal Voltage			

Meter / Installation Data

Instrument Transformers	Numerator	Denominator	Multiplier
Potential Trf			0
Current Trf			0
Power Multiplier	0		

Meter Secondary Voltage	120	120 volts for Nexus
Meter Secondary Current	5	5 amps for Nexus

Value	3 Ph Loss	1 Ph Watt	1 Ph kW
Full Load Loss Watts	-	0.00	0.00
Full Load Loss VARs	-	0.00	0.00
Watts Loss at CT Full Load	#DIV/0!		

	Phase-to-Phase	Phase-to-Grd
Test Voltage	0	0
Full Load Current	#DIV/0!	

Publishing and duplicating rights are property of Electro Industries/Gaugetech.
This spreadsheet is designed only to be used with EIG Nexus based metering equipment.

Electro Industries / GaugeTech

Westbury, NY

(877) EIMETER [877-346-3837]

Nexus Line Loss Compensation Calculation - Example

Three Element Meter with 3 Wye-connected PT's and 3 CT's

Company:	ABC Power Company	Substation:	Big Station
Name:	Joe Engineer	Stn Trf Bank No.:	Small Station 138
Date:	2/14/2002		

Metering Point Information	Meter point is 45 miles down line from Big Station.
----------------------------	---

Loss Factors for Nx Communicator Software		Loss Factors	
		Calc	Used
% Full-Load Loss Watts	%LWCU	0.00362	0.004
% Full-Load Loss VARs	%LVCU	0.01872	0.019

Transmission Line Impedance Data

Quantity	PU Value	% Value	Used
R	0.0304		0.0304
X	0.1573		0.1573
MVA Base	100		100
Nominal Voltage		138000	

Meter / Installation Data

Instrument Transformers	Numerator	Denominator	Multiplier
Potential Trf	138000	115	1200
Current Trf	900	5	180
Power Multiplier	216000		

Meter Secondary Voltage	120	120 volts for Nexus
Meter Secondary Current	5	5 amps for Nexus

Value	3 Ph Loss	1 Ph Watt	1 Ph kW
Full Load Loss Watts	3,040	1013.33	1.01
Full Load Loss VARs	15,730	5243.33	5.24
Watts Loss at CT Full Load	14,068		

	Phase-to-Phase	Phase-to-Grd
Test Voltage	138000	79674
Full Load Current	418	

Publishing and duplicating rights are property of Electro Industries/Gaugetech.
This spreadsheet is designed only to be used with EIG Nexus based metering equipment.

Glossary

0.1 Second Values:	These values are the RMS values of the indicated quantity as calculated after approximately 50 milliseconds (3 cycles) of sampling.
1 Second Values:	These values are the RMS values of the indicated quantity as calculated after one second (60 cycles) of sampling.
Alarm:	An event or condition in a meter that can cause a trigger or call-back to occur.
Annunciator:	A short label that identifies particular quantities or values displayed, for example kWh.
Average (Current):	When applied to current values (amps) the average is a calculated value that corresponds to the thermal average over a specified time interval. The interval is specified by the user in the meter profile. The interval is typically 15 minutes. So, Average Amps is the thermal average of amps over the previous 15-minute interval. The thermal average rises to 90% of the actual value in each time interval. For example, if a constant 100amp load is applied, the thermal average will indicate 90 amps after one time interval, 99 amps after two time intervals and 99.9 amps after three time intervals.
Average (Input Pulse Accumulations):	When applied to Input Pulse Accumulations, the “Average” refers to the block (fixed) window average value of the input pulses.
Average (Power):	When applied to power values (watts, VARs, VA), the average is a calculated value that corresponds to the thermal average over a specified time interval. The interval is specified by the user in the meter profile. The interval is typically 15 minutes. So, the Average Watts is the thermal average of watts over the previous 15-minute interval. The thermal average rises to 90% of the actual value in each time interval. For example, if a constant 100kW load is applied, the thermal average will indicate 90kW after one time interval, 99kW after two time intervals and 99.9kW after three time intervals.
Bit:	A unit of computer information equivalent to the result of a choice between two alternatives (Yes/No, On/Off, for example). Or, the physical representation of a bit by an electrical pulse whose presence or absence indicates data.
Binary:	Relating to a system of numbers having 2 as its base (digits 0 and 1).
Block Window Avg: (Power)	The Block (Fixed) Window Average is the average power calculated over a user-set time interval, typically 15 minutes. This calculated average corresponds to the demand calculations performed by most electric utilities in monitoring user power demand. (See Rolling Window Average.)

Byte:	A group of 8 binary digits processed as a unit by a computer (or device) and used especially to represent an alphanumeric character.
CBEMA Curve:	A voltage quality curve established originally by the Computer Business Equipment Manufacturers Association. The CBEMA Curve defines voltage disturbances that could cause malfunction or damage in microprocessor devices. The curve is characterized by voltage magnitude and the duration which the voltage is outside of tolerance. (See ITIC Curve.)
Channel:	The storage of a single value in each interval in a load profile.
CRC Field:	Cyclic Redundancy Check Field (Modbus communication) is an error checksum calculation that enables a Slave device to determine if a request packet from a Master device has been corrupted during transmission. If the calculated value does not match the value in the request packet, the Slave ignores the request.
CT (Current) Ratio:	A Current Transformer Ratio is used to scale the value of the current from a secondary value up to the primary side of an instrument transformer.
Demand:	The average value of power or a similar quantity over a specified period of time.
Demand Interval:	A specified time over which demand is calculated.
Display:	User-configurable visual indication of data in a meter.
DNP 3.0:	A robust, non-proprietary protocol based on existing open standards. DNP 3.0 is used to operate between various systems in electric and other utility industries and SCADA networks. Nexus 1250 supports Level 1; Nexus 1252 supports Level 2.
EEPROM:	Nonvolatile memory. Electrically Erasable Programmable Read Only Memory that retains its data during a power outage without need for a battery. Also refers to meter's FLASH memory.
Energy Register:	Programmable record that monitors any energy quantity. Example: Watthours, VARhours, VAhours.
Ethernet:	A type of LAN network connection that connects two or more devices on a common communications backbone. An Ethernet LAN consists of at least one hub device (the network backbone) with multiple devices connected to it in a star configuration. The most common versions of Ethernet in use are 10BaseT and 100BaseT as defined in IEE standards. However, several other versions of Ethernet are also available.
Exception Response:	Error Code (Modbus communication) transmitted in a packet from the Slave to the Master if the Slave has encountered an invalid command or other problem.

Flicker:	Flicker is the sensation that is experienced by the human visual system when it is subjected to changes occurring in the illumination intensity of light sources. IEC 61000-4-15 and former IEC 868 describe the methods used to determine flicker severity.
Form:	Wiring and Hookup configuration for the Nexus 1260/1270.
Harmonics:	Measuring values of the fundamental current and voltage and percent of the fundamental.
Heartbeat Pulse:	Energy indicator on the face of the Nexus 1250/1252; pulses are generated per the programmed K_e value.
Infrared Test Pulse:	Energy indicator located on the upper left side of the face of the Nexus 1260 /1270 meter; pulses are generated per the programmed K_e value.
Integer:	Any of the natural numbers, the negatives of those numbers or zero.
Internal Modem:	An optional modem within the meter's enclosure that connects to the RJ-11 telephone connector.
Invalid Register:	In the Nexus Modbus Map there are gaps between Registers. For example, the next Register after 08320 is 34817. Any unmapped Register stores no information and is said to be invalid.
ITIC Curve:	An updated version of the CBEMA Curve that reflects further study into the performance of microprocessor devices. The curve consists of a series of steps but still defines combinations of voltage magnitude and duration that will cause malfunction or damage.
K_e :	kWh per pulse; i.e. the energy.
kWh:	kilowatt hours; kW x demand interval in hours.
KYZ Output:	Output where the rate of changes between 1 and 0 reflects the magnitude of a metered quantity.
LCD:	Liquid Crystal Display.
LED:	Light Emitting Diode.
Master Device:	In Modbus communication, a Master Device initiates and controls all information transfer in the form of a Request Packet to a Slave Device. The Slave responds to each request.
Maximum Demand:	The largest demand calculated during any interval over a billing period.

Modbus ASCII:	Alternate version of the Modbus protocol that utilizes a different data transfer format. This version is not dependent upon strict timing, as is the RTU version. This is the best choice for telecommunications applications (via modems).
Modbus RTU:	The most common form of Modbus protocol. Modbus RTU is an open protocol spoken by many field devices to enable devices from multiple vendors to communicate in a common language. Data is transmitted in a timed binary format, providing increased throughput and therefore, increased performance.
Network:	A communications connection between two or more devices to enable those devices to send and receive data to one another. In most applications, the network will be either a serial type or a LAN type.
NVRAM:	Nonvolatile Random Access Memory is able to keep the stored values in memory even during the loss of circuit or control power. High speed NVRAM is used in the Nexus to gather measured information and to insure that no information is lost.
Optical Port:	A port that facilitates infrared communication with a (1260/1270) meter. Using an ANSI C12.13 Type II magnetic optical communications coupler and an RS-232 cable from the coupler to a PC, the meter can be programmed with Nexus Communicator software.
Packet:	A short fixed-length section of data that is transmitted as a unit. Example: a serial string of 8-bit bytes.
Percent (%) THD:	Percent Total Harmonic Distortion. (See THD.)
Protocol:	A language that will be spoken between two or more devices connected on a network.
PT Ratio:	Potential Transformer Ratio used to scale the value of the voltage to the primary side of an instrument transformer. Also referred to as VT Ratio.
Pulse:	The closing and opening of the circuit of a two-wire pulse system or the alternate closing and opening of one side and then the other of a three-wire system (which is equal to two pulses).
Quadrant: (Programmable Values and Factors on the Nexus)	Watt and VAR flow is typically represented using an X-Y coordinate system. The four corners of the X-Y plane are referred to as quadrants. Most power applications label the right hand corner as the first quadrant and number the remaining quadrants in a counter-clockwise rotation. Following are the positions of the quadrants: 1st - upper right, 2nd - upper left, 3rd - lower left and 4th - lower right. Power flow is generally positive in quadrants 1 and 4. VAR flow is positive in quadrants 1 and 2. The most common load conditions are: Quadrant 1 - power flow positive, VAR flow positive, inductive load, lagging or positive power factor; Quadrant 2 - power flow negative, VAR flow positive, capacitive load, leading or negative power factor.

Register:	An entry or record that stores a small amount of data.
Register Rollover: Reset:	A point at which a Register reaches its maximum value and rolls over to zero. Logs are cleared or new (or default) values are sent to counters or timers.
Rolling Window Average (Power):	The Rolling (Sliding) Window Average is the average power calculated over a user-set time interval that is derived from a specified number of sub-intervals, each of a specified time. For example, the average is calculated over a 15-minute interval by calculating the sum of the average of three consecutive 5-minute intervals. This demand calculation methodology has been adopted by several utilities to prevent customer manipulation of kW demand by simply spreading peak demand across two intervals.
RS-232:	A type of serial network connection that connects two devices to enable communication between devices. An RS-232 connection connects only two points. Distance between devices is typically limited to fairly short runs. Current standards recommend a maximum of 50 feet but some users have had success with runs up to 100 feet. Communications speed is typically in the range of 1200 bits per second to 57,600 bits per second. RS-232 connection can be accomplished using Port 1 of the Nexus 1250/1252 or the Optical Port on the face of the Nexus 1260/1270.
RS-485:	A type of serial network connection that connects two or more devices to enable communication between the devices. An RS-485 connection will allow multi-drop communication from one to many points. Distance between devices is typically limited to around 2,000 to 3,000 wire feet. Communications speed is typically in the range of 120 bits per second to 115,000 bits per second.
Sag:	A voltage quality event during which the RMS voltage is lower than normal for a period of time, typically from 1/2 cycle to 1 minute.
Secondary Rated:	Any Register or pulse output that does not use any CT or VT Ratio.
Serial Port:	The type of port used to directly interface with a PC.
Slave Device:	In Modbus communication, a Slave Device only receives a Request Packet from a Master Device and responds to the request. A Slave Device cannot initiate communication.
Swell:	A voltage quality event during which the RMS voltage is higher than normal for a period of time, typically from 1/2 cycle to 1 minute.
THD:	Total Harmonic Distortion is the combined effect of all harmonics measured in a voltage or current. The THD number is expressed as a percent of the fundamental. For example, a 3% THD indicates that the magnitude of all harmonic distortion measured equals 3% of the magnitude of the fundamental 60Hz quantity.

Time Stamp:	A stored representation of the time of an event. Time Stamp can include year, month, day, hour, minute and second and Daylight Savings Time indication.
TOU:	Time of Use.
Voltage Imbalance:	The ratio of the voltage on a phase to the average voltage on all phases.
Voltage Quality Event:	An instance of abnormal voltage on a phase. The events the meter will track include sags, swells, interruptions and imbalances.
VT Ratio:	The Voltage Transformer Ratio is used to scale the value of the voltage to the primary side of an instrument transformer. Also referred to as PT Ratio.
Voltage, Vab:	Vab, Vbc, Vca are all Phase-to-Phase voltage measurements. These voltages are measured between the three phase voltage inputs to the meter.
Voltage, Van:	Van, Vbn, Vcn are all Phase-to-Neutral voltages applied to the monitor. These voltages are measured between the phase voltage inputs and Vn input to the meter. Technologically, these voltages can be “measured” even when the meter is in a Delta configuration and there is no connection to the Vn input. However, in this configuration, these voltages have limited meaning and are typically not reported.
Voltage, Vaux	This is the fourth voltage input measured from between the Vaux and Vref inputs. This input can be scaled to any value. However, the actual input voltage to the meter should be of the same magnitude as the voltages applied to the Va, Vb and Vc terminals.

Free Manuals Download Website

<http://myh66.com>

<http://usermanuals.us>

<http://www.somanuals.com>

<http://www.4manuals.cc>

<http://www.manual-lib.com>

<http://www.404manual.com>

<http://www.luxmanual.com>

<http://aubethermostatmanual.com>

Golf course search by state

<http://golfingnear.com>

Email search by domain

<http://emailbydomain.com>

Auto manuals search

<http://auto.somanuals.com>

TV manuals search

<http://tv.somanuals.com>