

Sb121

Sb121
12" 300-Watt
Bass Module



Key Features:

- **Lightweight** – Only 32 lbs/14.6 kg – and compact
- **Very durable polymer enclosure** can be safely suspended
- **Integral handle** makes lifting easy
- **300 Watt continuous, 1,200 Watt peak power handling**
- **Parallel Neutrik Speakon high current input connectors**
- **Cast frame EV Sb12 12-inch woofer with Kevlar reinforced cone**



General Description:

The Electro-Voice® Sb121 bass module is a compact, lightweight woofer system that is designed to add bass enhancement to EV Sx Series speaker systems. The Sb121 combines the advantages of a long-throw 12-inch woofer with a lightweight, yet strong polypropylene enclosure. The large vent centered on the top of the front helps the woofer move more air. The EV Sb12 woofer was developed specially for the Sb121 and has a specially designed deep frame geometry. At the heart of this driver is a magnetic structure optimized to yield the best possible combination of performance and output capable in this enclosure size. Its Kevlar composite cone and special surround give it nearly 2 inches of total excursion capability.

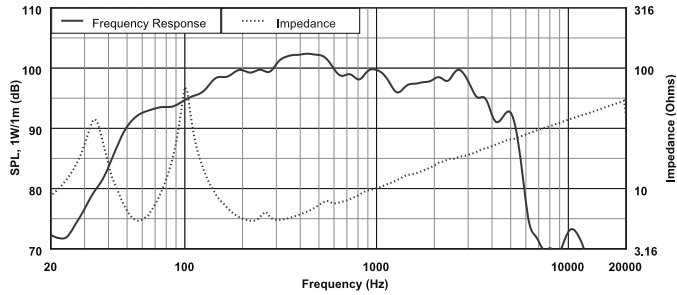
The Sb121 should be used in conjunction with an active crossover with a minimum roll-off rate of 12-dB-per-octave to filter response above 200 Hz. It is also sensible to optimize the Sb121's output and protect it by using a subsonic filter at 40 Hz in the signal chain. The optional Electro-Voice AC-One loudspeaker controller provides easy adjustments for crossover filtering, variable subsonic filtering, a flexible 3-band EQ and LPN processing for added bass impact.

The Sb121 can handle 300 Watts continuous, 1,200 Watts peak and can be safely used with amplifiers in that power range, as long as they are not driven to clipping. Using 1/2 or 1/4-space loading as well as mutually coupling multiple Sb121's give this small box very impressive output capability. The Sb121's parallel Neutrik Speakon connectors allow loss-free signal connection. The enclosure can be stacked, stand-mounted and safely suspended using a variety of flexible, inexpensive optional hanging kits (See our *Suspending System 200 Loudspeakers* manual for more details). The Sb121 is a truly professional high-performance woofer system.

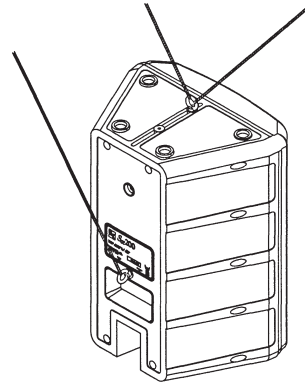
Technical Specifications:

Freq. Range (-10 dB):	45 Hz - 600 Hz
Recommended High-Pass Frequency:	43 Hz
Sensitivity (SPL 1W/1m):	95 dB
Max Calculated SPL:	126 dB
Power Handling (Cont.):	300 Watts
Power Handling (Peak):	1,200 Watts
LF Transducer:	12" EV Sb12 cast-frame long-throw
Recommended Crossover Frequency Range:	90 Hz - 130 Hz
Impedance:	8 Ohms
Connectors:	(2) Neutrik Speakon NL4
Dim (H x W x D):	23.1" x 16.9" x 12.3" (586mm x 429mm x 312mm)
Net Weight:	32.2 lbs (14.6 kg)
Shipping Weight:	35.3 lbs (16.0 kg)

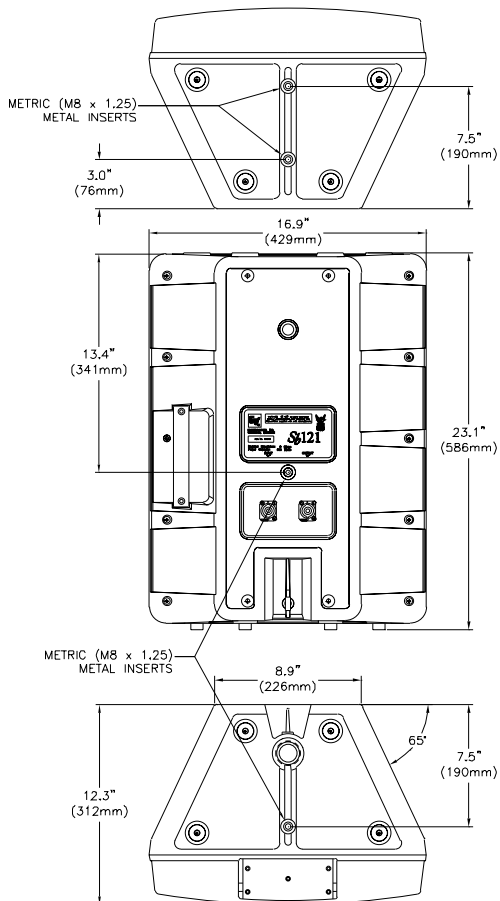
Frequency Response:



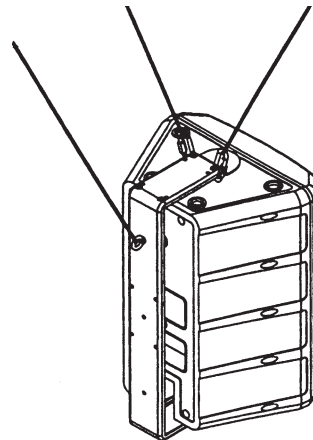
Suspending Sb121 Using the Mb100 Forged Eyebolt Attachment Kit:



Dimension Drawing:



Suspending Sb121 Using the Mb200 Wall/Ceiling Mounting Bracket:



Accessories:

- 100BK Mounting Stand
- Mb100 Forged Eyebolt Attachment Kit
- Mb200 Wall/Ceiling Mounting Kit
- Mb300 Horizontal Array Kit

Performance Match:

- AC-One Loudspeaker Controller
- Q66 Power Amplifier

Sb121 Part Number

- 1105-3036



12000 Portland Avenue South, Burnsville, MN 55337
Phone: 952/884-4051, Fax: 952/884-0043

www.electrovoice.com

© Telex Communications, Inc. 9/2002

Part Number 534930 Rev B

U.S.A. and Canada only. For customer orders, contact Customer Service at:

800/392-3497 Fax: 800/955-6831

Europe, Africa, and Middle East only. For customer orders, contact Customer Service at:

+ 49 9421-706 0 Fax: + 49 9421-706 265

Other International locations. For customer orders, contact Customer Service at:

+ 1 952 884-4051 Fax: + 1 952 736-4212

For warranty repair or service information, contact the Service Repair department at:

800/685-2606

For technical assistance, contact Technical Support at: 866/78AUDIO

Specifications subject to change without notice.

Free Manuals Download Website

<http://myh66.com>

<http://usermanuals.us>

<http://www.somanuals.com>

<http://www.4manuals.cc>

<http://www.manual-lib.com>

<http://www.404manual.com>

<http://www.luxmanual.com>

<http://aubethermostatmanual.com>

Golf course search by state

<http://golfingnear.com>

Email search by domain

<http://emailbydomain.com>

Auto manuals search

<http://auto.somanuals.com>

TV manuals search

<http://tv.somanuals.com>