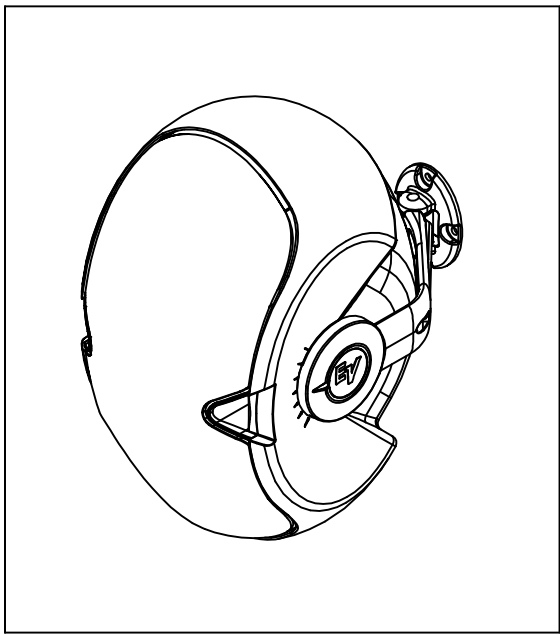




ElectroVoice®
TELEX/EVI Audio
600 Cecil Street
Buchanan, Michigan 49107
Phone: 616-695-6831
FAX: 616-695-4743

SERVICE DATA

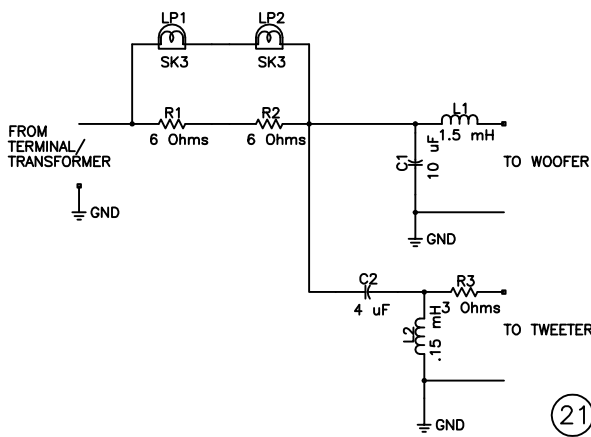
EVID 4.2, 4.2t
(301046-001, 301046-002,
301046-003, 301046-004)



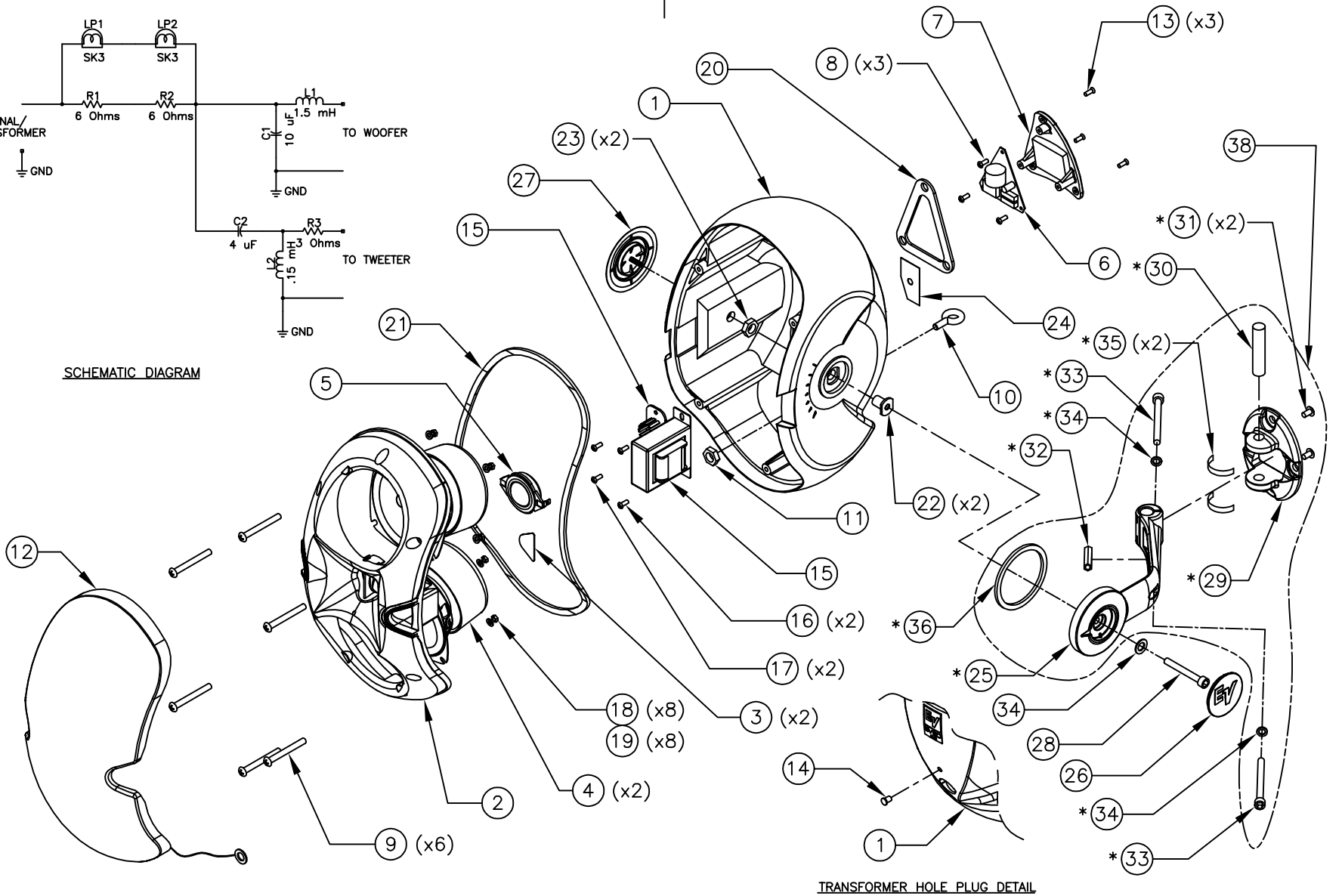
PARTS LIST						
QUANTITIES SHOWN ARE FOR ONE COMPLETE UNIT						
ITEM	PART NO.				QTY.	DESCRIPTION
	301046-001 BLACK, NO XFMR	301046-002 WHITE, NO XFMR	301046-003 BLACK, WITH XFMR	301046-004 WHITE, WITH XFMR		
1	701369-001	701369-002	701369-001	701369-002	1	ENCLOSURE, EVID 4.2
2	701372-001	701372-002	701372-001	701372-002	1	BAFFLE, EVID 4.2
3	500205-000				2	SCREEN
4	560041-000				2	4" WOOFER
5	560045-000				1	1" T1 TWEETER
6	800687-001	800687-001	800687-002	800687-002	1	CROSSOVER S/A
7	800740-001	800740-002	800740-001	800740-002	1	TERMINAL PLATE S/A
8	500067-000				7	SCR., #6 x 1/2", PAN HD, XREC, TYPE AB, BLK ZINC
9	500195-000				6	SCR., #10 x 1-1/2", PAN HD, XREC, TYPE AB, BLK ZINC
10	500196-000				1	EYEBOLT, M6, STAINLESS
11	500075-000				1	NUT, M6, STAINLESS
12	560051-001	560051-002	560051-001	560051-002	1	GRILLE S/A
13	500119-000				3	SCR., #6 x 5/8", FLT HD, XREC, TYPE AB, BLK ZINC
14	500120-001	500120-002	500120-001	500120-002	1	PLUG, TRANSFORMER HOLE
15	NONE		500054-000		1	70V/100V LINE MATCHING TRANSFORMER/SWITCH S/A, EVID 4.2
16	---				---	---
17	---				---	---
18	500129-000				8	NUT, M4, STAINLESS
19	500132-000				8	WASHER, M4, STAINLESS
20	500198-000				1	GASKET, TERMINAL PLATE
21	500199-000				1	GASKET, BAFFLE
22	500200-000				2	T-NUT, ARM MOUNT
23	500136-000				2	NUT, ARM MOUNT T-NUT
24	NONE		500218-000		1	LABEL, TRANSFORMER SETTINGS
25*	701363-001	701363-002	701363-001	701363-002	1	BRACKET ARM
26	701359-001	701359-002	701359-001	701359-002	1	LOGO CAP, BRACKET
27	701358-001	701358-002	701358-001	701358-002	1	LOGO CAP, ENCLOSURE
28	500209-000				1	SCR., M5 x 20mm, SKT HD, CAP, STAINLESS
29*	701366-001	701366-002	701366-001	701366-002	1	WALL MOUNT
30*	701379-000				1	PIN, WALL MOUNT
31*	500162-000				2	SET SCREW, SKT HD, CAP, M4 x 15mm, STAINLESS
32*	500204-000				1	HEX STANDOFF, M5 x 30mm, STAINLESS
33*	500046-075				2	SCREW, SOCKET HEAD, CAP, M5 x 30mm, DIN 912, STAINLESS
34*	500206-000				3	WASHER, M5
35*	500207-000				2	LABEL, HORIZ. ANGLE
36*	500208-000				1	GASKET, FOAM, PSA
37	591197-001				1	ENCLOSURE FILL - NOT SHOWN
38	560048-001	560048-002	560048-001	560048-002	1	BRACKET ASSY, SAM, EVID 4.2

* = PART OF ITEM 38

© TELEX/EVI Audio, 2001 Litho in U.S.A. Part Number 200000-023_B 0206



SCHEMATIC DIAGRAM



TRANSFORMER HOLE PLUG DETAIL

200000-023_B

Free Manuals Download Website

<http://myh66.com>

<http://usermanuals.us>

<http://www.somanuals.com>

<http://www.4manuals.cc>

<http://www.manual-lib.com>

<http://www.404manual.com>

<http://www.luxmanual.com>

<http://aubethermostatmanual.com>

Golf course search by state

<http://golfingnear.com>

Email search by domain

<http://emailbydomain.com>

Auto manuals search

<http://auto.somanuals.com>

TV manuals search

<http://tv.somanuals.com>