

Model 366 Suspension Shock Mount

The Model 366 Suspension Shock Mount adapts any microphone having a cylindrical case of one-inch diameter to boom use. Extremely lightweight, the combined weight of the 366 mount and 666 microphone is only 23 ounces.

The 366 allows quick installation or removal of the microphone without tools, freeing the microphone for other uses. A cannon UA-3 connector placed on the mount allows an isolation cable loop to the microphone, reducing transmission of mechanical noise. Further noise reduction at the microphone is accorded by the rubber suspension elements incorporated in the mount.

The angle of the microphone relative to the boom can be adjusted in an arc of 75° permitting the microphone to be positioned in the direction of the sound source. The cannon connector can be similarly adjusted in an arc of 5° in both directions.

FEATURES

- Light weight
- Microphone may be quickly installed or removed with tools
- Effectively isolates boom shock noises

SPECIFICATIONS

MATERIAL: Hard Aluminum Alloy

FINISH: Metalustre Gray

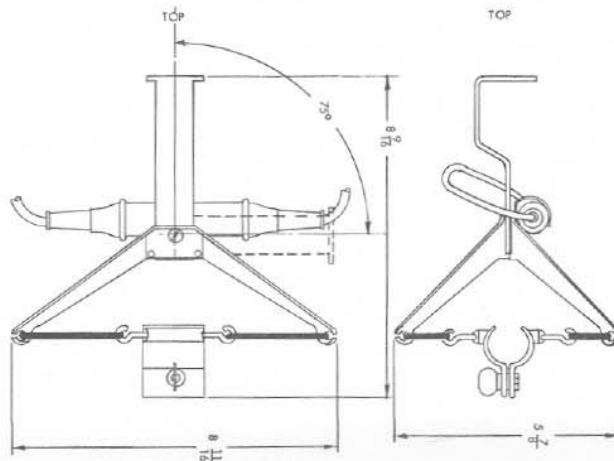
PATCH CORD: It is 18-in. long with one Cannon UA-3-11 and one Cannon UA-3-12 connector hinge with a 50° movement in both directions.

DIMENSIONS: Width: 5-7/8 inches
Height: 8-11/16 inches

WEIGHT: 12 ounces.

SUSPENSION: Standard rubber band, adjustable for weight of microphone.

The 366 Mount can be used with Electro-Voice Microphones Models 636, 636G, 647, 648, 654A, 655C, 666, 666R, and 667.



Free Manuals Download Website

<http://myh66.com>

<http://usermanuals.us>

<http://www.somanuals.com>

<http://www.4manuals.cc>

<http://www.manual-lib.com>

<http://www.404manual.com>

<http://www.luxmanual.com>

<http://aubethermostatmanual.com>

Golf course search by state

<http://golfingnear.com>

Email search by domain

<http://emailbydomain.com>

Auto manuals search

<http://auto.somanuals.com>

TV manuals search

<http://tv.somanuals.com>