

635A & 635A/B

Dynamic
Omnidirectional
Microphones



Key Features:

- Practically indestructible in normal use
- Steel housing provides magnetic shielding and strength
- Withstands humidity, salt air, and severe mechanical shocks
- Self generating, no powering required
- Uniform 80-13,000 Hz response



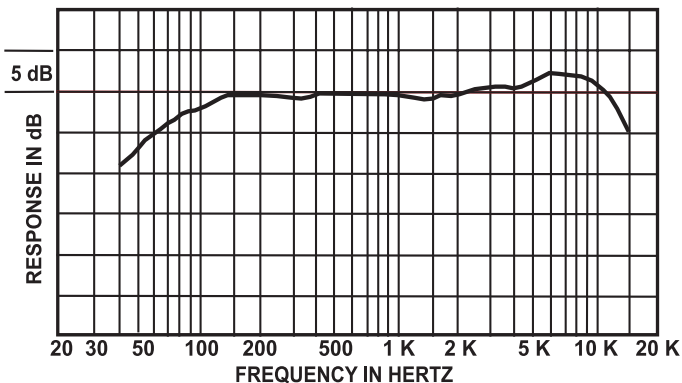
General Description:

The Electro-Voice® 635A and 635A/B are designed for exacting professional applications such as film production, recording, broadcasting, and the more demanding PA applications. The 635A and 635A/B may be purchased in packages of six. These “six packs” do not include the stand adapter. The high output level, and low sensitivity to mechanical shock, make the 635A and 635A/B excellent for interviews and for pass-around use in audiences. The 635A and 635A/B feature a diaphragm which permits very smooth response over a wide frequency range. The diaphragm withstands humidity and temperature extremes, corrosive effects of salt air, and severe mechanical shocks. It is practically indestructible with normal use. A four-stage pop and dust filter ensures a completely pop-free performance and virtually eliminates the need for an external windscreen during outdoor use. An internal shock absorber effectively reduces the pickup of cable and other noise generated by external contact.

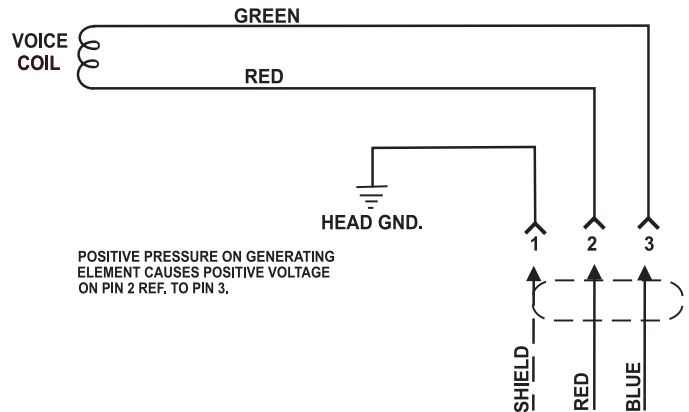
Technical Specifications:

Generation Element:	Dynamic
Frequency Response:	80 Hz to 13,000 Hz (see chart)
Polar Pattern:	Omnidirectional
Impedance (Low):	150 ohms
Sensitivity, Open Circuit Voltage, 1 kHz:	1.4mV/Pascal
Polarity:	Pin 2 positive, referenced to pin 3 with positive pressure on diaphragm
Case Material:	Steel
Finish:	635A Fawn Beige 635A/B Semi-Gloss Black
Accessories Included:	311 Stand Adapter (Not included in 6-Pack)
Optional Accessories:	314E Windscreen 422A Desk Stand
Dimensions:	Length = 151mm (5.94") Diameter = 36mm (1.41")
Net Weight:	170 grams (6 oz.)
Shipping Weight:	Single Mic = 454 grams (16 oz.) Six Pack = 1.64 kilograms (58 oz.)

Frequency Response:



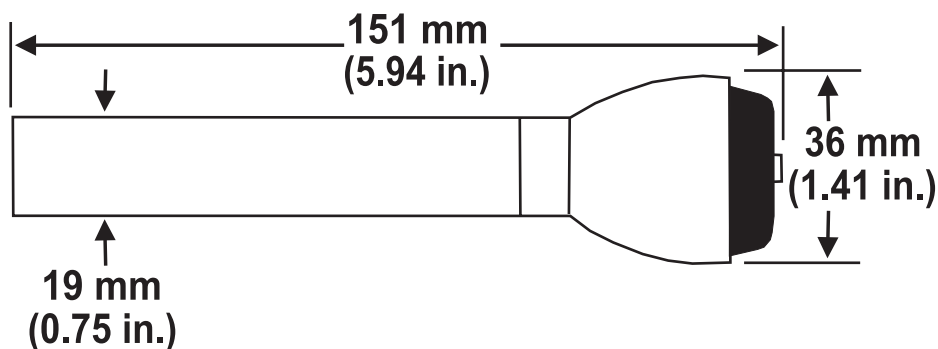
Wiring Diagram:



Architects' and Engineers' Specifications:

The microphone shall be an Electro-Voice 635A or 635A/B. The microphone shall be an omnidirectional dynamic type with wide range response uniform from 80-13,000 Hz. It shall have a four-stage pop filter, and magnetic shield to prevent dust and magnetic particles from reaching the diaphragm. The impedance shall be such that the microphone will match 50-, 150- and 250-ohm inputs. The line shall be balanced to ground and phased. The output level shall be -55 dB with 0 dB equaling 1.4mV/pascal. The magnetic circuit shall be a nonwelded circuit and employ Alnico V and magnetic iron. The case shall be made of steel. The microphone shall have a maximum diameter of 36 mm (1.41 in.), a length of 151 mm (5.94 in.) and a weight of 170 grams (6 oz.) The Electro-Voice 635A and 635A/B are specified.

Dimension Drawing:



EV Electro-Voice®

12000 Portland Avenue South, Burnsville, MN 55337
Phone:952/884-4051, Fax:952/884-0043

www.electrovoice.com

© Telex Communications, Inc. 6/2006
Part Number 534670 Rev D

U.S.A. and Canada only. For customer orders, contact Customer Service at:
800/392-3497 Fax: 800/955-6831

Europe, Africa, and Middle East only. For customer orders, contact Customer Service at:
+ 49 9421-706 0 Fax: + 49 9421-706 265

Other International locations. For customer orders, contact Customer Service at:
+ 1 952 884-4051 Fax: + 1 952 736-4212

For warranty repair or service information, contact the Service Repair department at:
800/553-5992 or 402/467-5321

For technical assistance, contact Technical Support at: 800/392-3497 or 952/736-4656

Specifications subject to change without notice.

Free Manuals Download Website

<http://myh66.com>

<http://usermanuals.us>

<http://www.somanuals.com>

<http://www.4manuals.cc>

<http://www.manual-lib.com>

<http://www.404manual.com>

<http://www.luxmanual.com>

<http://aubethermostatmanual.com>

Golf course search by state

<http://golfingnear.com>

Email search by domain

<http://emailbydomain.com>

Auto manuals search

<http://auto.somanuals.com>

TV manuals search

<http://tv.somanuals.com>