

Electro-Voice®
a gulton company

Model 672A Single-D Cardioid Microphone

SPECIFICATIONS

Element:
Dynamic

Frequency Response:
60–14,000 Hz

Polar Pattern:
Cardioid

Impedance:
150 ohms

Output Level:
–57 dB
(0 dB = 1 mW/10 dynes/cm²)

EIA Sensitivity Rating,
150 ohms:
–151 dB

Diaphragm:
Accoustalloy®

Switch:
On/Off (lockable)

Case:
Zinc die cast

Finish:
Satin chrome

Microphone Connector:
Switchcraft A3M or equivalent

Dimensions:
171.5 mm (6.75 in.) long
50 mm (1.97 in.) largest diameter

Weight:
425.2 g (15 oz) — excluding cable

Cable:
4.6 m (15 ft), two-conductor,
shielded, synthetic rubber-jacketed,
with Switchcraft A3F connector at
microphone end

DESCRIPTION & APPLICATIONS

The Electro-Voice Model 672A is a Single-D cardioid microphone which emphasizes low frequencies when used "close up." Perfect for the exacting needs of high quality sound reinforcement, public address, and other applications, the 672A is ruggedly designed and attractively styled.

A new head design and an exclusive Volumetric-hologram designed diaphragm provide exceptionally wide, linear response at all angles of incidence for high gain-before-feedback in sound reinforcement applications, and virtual elimination of off-axis coloration. The head subassembly is user replaceable. As part of this assembly, a newly designed extremely effective shock absorber isolates the transducer assembly from mechanical noises. An internal Acoustifoam™ filter allows close talking without excessive "P-popping" and prevents dirt and magnetic particles from accumulating on the diaphragm.

The microphone is equipped with a lock to keep the on/off switch in the "on" position if this is desired.

Utilizing The Locking Feature:

To lock the on/off switch in the "on" position, first turn switch on. Next, using a sharp object such as a nail file or a small screwdriver, slide lock to a position behind the switch actuator (See Fig.2).

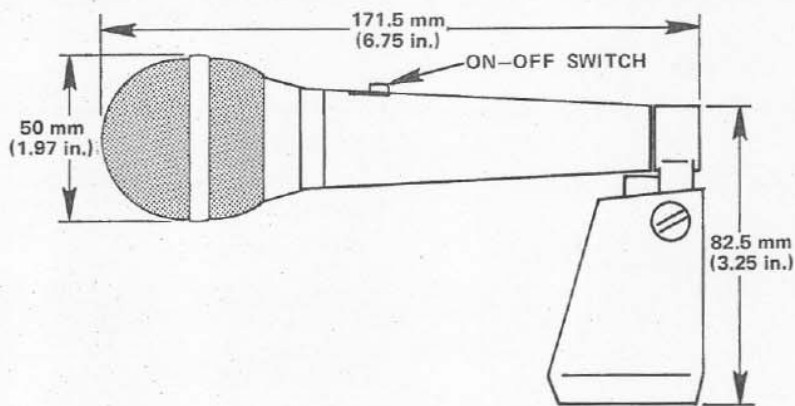


FIGURE 1 – Dimensions

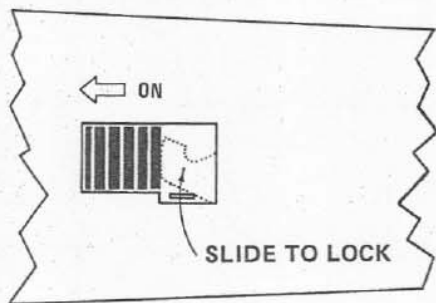


FIGURE 2 – Locking Feature

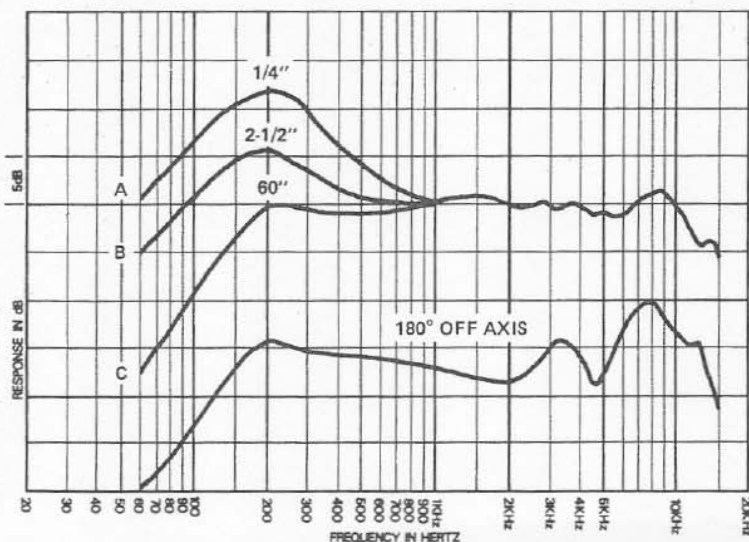


FIGURE 3 – Frequency Response

Using The Variable Low-Frequency Response:

The 672A's low-frequency response varies with the distance from the sound to the microphone as shown in the response curve (Fig.3). Maximum bass response is produced in close-up use with the microphone 1/4" from the sound source (Fig. 3/A). Minimum bass response is experienced at distances greater than 24" (Fig. 3/C).

Useful special effects can be created by an imaginative application of the variable low-frequency response:

1. By working closer to the microphone, the human voice will sound more robust.
2. Feedback in a public address system is sustained by reflection of sound into the microphone. For all microphones, as the artist moves closer, the level of his voice (at the microphone) increases and the microphone's signal to the amplifier is increased. For a constant volume of sound from the system, the amplifier gain setting must be proportionately reduced. This results in a reduction of the system's sensitivity to reflected sound, hence a reduction of the tendency to feedback.

The variable low-frequency response of the 672A provides a further feedback reducing advantage in close talking applications. At 1/4", low-frequency response is greatly enhanced, while response to distant sound (as from sound system loudspeakers) is unaffected. The result is a reduced tendency to feedback, over and above that provided by the cardioid directional characteristic alone.

In short system sensitivity reduction because of close working, added to the advantage resulting from the bass

boosting low-frequency characteristic of the 672A makes this instrument an exceptionally effective tool for stage and nightclub use.

3. For musical pickup, the variable bass response can be utilized to achieve "clean" bass pickup at distances of 24" or more. By moving the 672A to a few inches from the instrument, bass will be increased.

ARCHITECTS' AND ENGINEERS' SPECIFICATIONS

The microphone shall be a cardioid Dynamic type. Frequency response shall be 60–14,000 Hz, specially shaped above 1,000 Hz to maintain presence for vocal and musical pickups, and below 1,000 Hz shall vary inversely with distance. Response at the front of the microphone at 1,000 Hz shall be nominally 20 dB greater than response at rear.

The microphone shall be a low impedance type (150 ohms balanced). Output level shall be -57 dB (0 dB equals 1 mW/10 dynes/cm²). Microphone shall have a laminated Mylar/Acoustallo[®] diaphragm. The microphone connector shall be a Switchcraft A3M or equivalent. An on/off switch shall be provided and so connected that the transducer is "shorted" when switch is in off position. A 15 foot two-conductor shielded, synthetic rubber-jacketed cable with Switchcraft A3F connector installed at the microphone end shall be provided.

The case shall be die cast zinc. Dimensions shall be 171.5 mm (6-3/4 in.) long, 49 mm (1-31/32 in.) diameter. Net weight (less cable) shall be 425.2 g (15 oz). Finish shall be satin chrome.

The Electro-Voice Model 672A is specified.

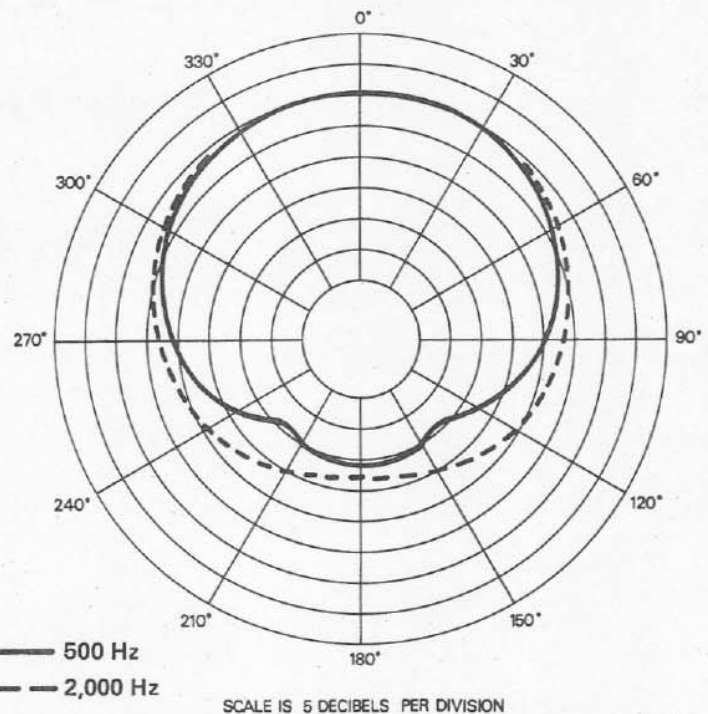


FIGURE 4 – Polar Response

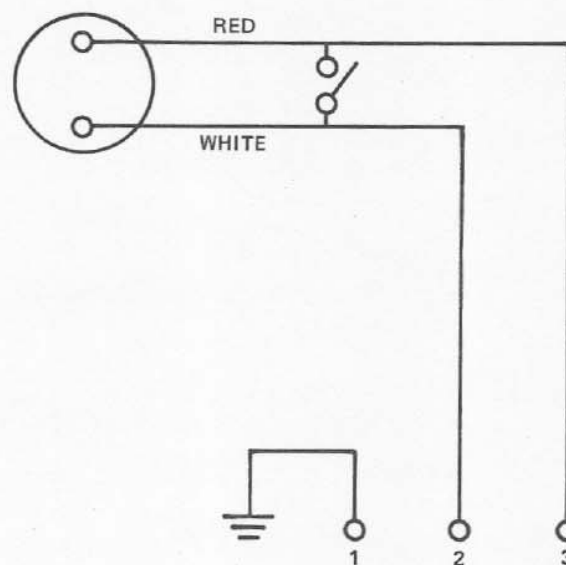


FIGURE 5 – Wiring Diagram

WARRANTY (Limited) —

Electro-Voice General Purpose Microphones are guaranteed without time limit against malfunction in the acoustic system due to defects in workmanship and materials. (Any active electronics incorporated in a microphone is guaranteed for three years from date of original purchase against such malfunction.) If such malfunction occurs, microphone will be repaired or replaced (at our option) without charge for materials or labor if delivered prepaid to the proper Electro-Voice service facility. Unit will be returned prepaid. Warranty does not cover finish, appearance items, cables, cable connectors, or switches and does not cover malfunction due to abuse or operation at other than specified conditions. Repair by other than Electro-Voice or its authorized service agencies will void this guarantee.

For shipping address and instructions on return of Electro-Voice products for repair and locations of authorized service agencies, please write: Service Department, Electro-Voice, Inc., 600 Cecil Street, Buchanan, Michigan 49107 (Phone 616/695-6831) or 8234 Doe Avenue, Visalia, CA 93277 (209/625-1330,-1).

Electro-Voice also maintains complete facilities for non-warranty service of E-V products.

Specifications are subject to change without notice.

Free Manuals Download Website

<http://myh66.com>

<http://usermanuals.us>

<http://www.somanuals.com>

<http://www.4manuals.cc>

<http://www.manual-lib.com>

<http://www.404manual.com>

<http://www.luxmanual.com>

<http://aubethermostatmanual.com>

Golf course search by state

<http://golfingnear.com>

Email search by domain

<http://emailbydomain.com>

Auto manuals search

<http://auto.somanuals.com>

TV manuals search

<http://tv.somanuals.com>