



DESCRIPTION AND APPLICATIONS

The Electro-Voice Model 719KK is a ceramic omnidirectional microphone especially designed for a wide variety of communications and paging applications. It is adaptable for amateur, CB mobile and base station installations, as well as for paging applications. The smooth frequency response makes the model 719KK highly useful for a wide variety of public address applications.

The attractively styled, rugged, die-cast stand is carefully balanced for hand-held use as a "grip-to-talk" microphone, yet will remain firmly positioned for "touch-to-talk" use. The lifetime switch assembly has survived many hundreds of thousands of use cycles--assuring the ultimate in reliability. Removal of one mounting screw permits changing the entire switching mode from "touch-to-talk" to "grip-to-talk". A unique locking feature permits locking switch in the "on" position for "hands free" operation in either "grip-to-talk" or "touch-to-talk" mode.

SPECIFICATIONS

Element:	Ceramic
Frequency Response:	80 - 7,000 Hz
Polar Pattern:	Omnidirectional
Impedance:	Hi-Z
Output Level:	-56 db
EIA Sensitivity Level:	-156 db
Case:	Die-Cast Zinc
Dimensions:	9-3/4" H x 4-1/2" W x 4-3/4" D
Finish:	TV gray and satin chrome
Net Weight:	2-1/4 pounds

Switch: DPDT long-life switch shorts microphone in "off" position
 Cable: 3-conductor 1 shielded, black rubber covered, coiled cord. Extendable to 5 feet.

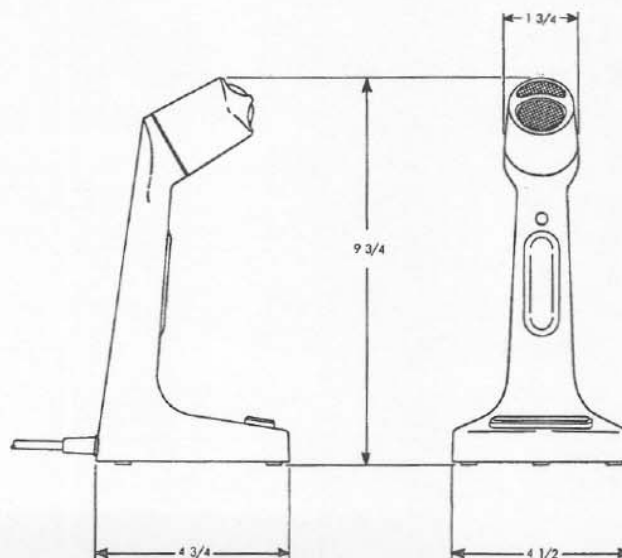


Figure 1- Dimensions

719KK "PRESS-TO-TALK" CERAMIC MICROPHONE

ARCHITECTS' AND ENGINEERS' SPECIFICATIONS

The microphone shall be an omnidirectional, ceramic type with response from 80 to 7,000 Hz. The microphone output shall be high impedance. The output level shall be -56 db with 0 equaling 1 volt/dyne/cm². EIA sensitivity rating shall be -156 db at high impedance. The microphone case shall be pressure-cast zinc and shall include a pressure-cast table stand integral with the microphone case. The complete assembly shall be 9-3/4" high, 4-3/4" deep, and 4-1/2" wide.

A DPDT switch shall be provided, one section of which shall normally short-circuit the transducer when switch is in "off" position. A second section of switch shall be provided with capability of function either in electronic switching mode or for operation of external relay. A locking feature shall be provided by means of which switch may be locked in "on" position. A three-conductor, one shielded, black rubber-jacketed coiled cord, extendable to five feet, shall be furnished. The finish of the integral stand shall be non-reflecting gray and the microphone case shall be satin chrome. Net weight shall be 2-1/4 pounds.

Electro-Voice Model 719KK is specified.

CHANGING SWITCH CONNECTIONS

The switch assembly in your model 719KK microphone is easily accessible for wiring revisions. Simply remove bottom cover plate for access, then remove the single (Phillips) switch assembly "hold down" screw to release the assembly for easy access to switch terminals.

The model 719KK is shipped with switch connected as shown in Figure 2 with red and black cable conductors connected to switch terminals #4 and #5 respectively for operation of an external relay. To revise connections for electronic switching, as shown in Figure 3, perform the following steps.

1. Move red cable conductor from switch terminal #4 to switch terminal #3.
2. Connect cable shield to terminal #4.
3. Return switch assembly to proper position and tighten switch assembly "hold down" screw.

Replace cover plate.

(Note: Circuit return for electronic switching is via cable shield. AC signals substantially higher than microphone level may introduce noise into the microphone circuit and should not be switched by this means. For best results, only DC should be transmitted through the cable shield.)

WARRANTY

The Electro-Voice model 719KK microphone is guaranteed against defects in materials and workmanship.

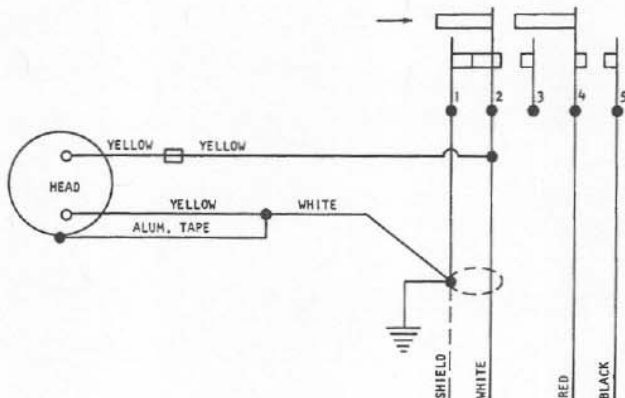


Figure 2- Wiring, relay operation

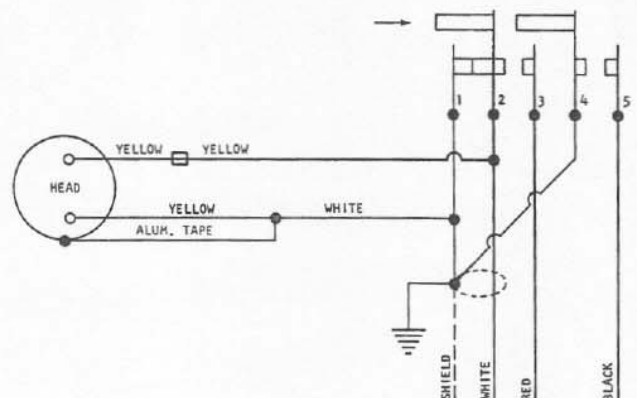


Figure 3- Wiring, electronic switching

Free Manuals Download Website

<http://myh66.com>

<http://usermanuals.us>

<http://www.somanuals.com>

<http://www.4manuals.cc>

<http://www.manual-lib.com>

<http://www.404manual.com>

<http://www.luxmanual.com>

<http://aubethermostatmanual.com>

Golf course search by state

<http://golfingnear.com>

Email search by domain

<http://emailbydomain.com>

Auto manuals search

<http://auto.somanuals.com>

TV manuals search

<http://tv.somanuals.com>