

# Electro-Voice®

ELECTRO-VOICE, INC.  
BUCHANAN, MICHIGAN



## Specifications Model 927 and 927S Microphones

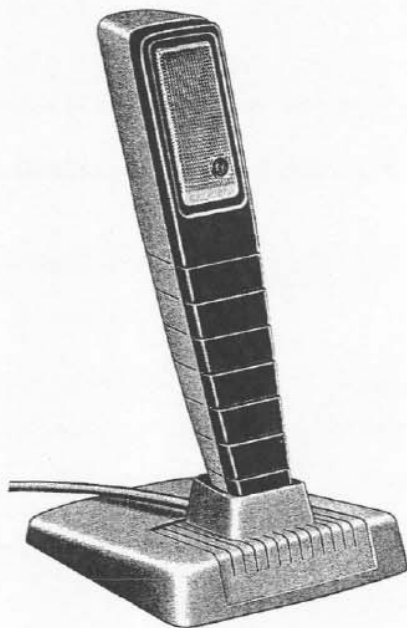
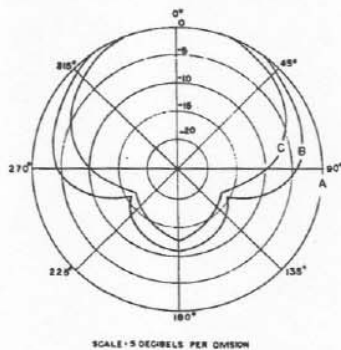


Fig. 1 — Model 927 Microphone



A — 1,000 cps      B — 2,000 cps  
C — 5,000 cps

Fig. 2 — Polar Pattern

The Electro-Voice Models 927 and 927S Microphones are crystal, omnidirectional types designed for public address, call and paging systems, dictating machines, home recorders, radio amateurs, and general communication. Their small, slim size makes them easy to handle and gives an attractive appearance.

The Models 927 and 927S are mounted in sturdy diecast metal and plastic cases, designed primarily for carrying in the hand. Slip-in diecast desk stand is included for table-top use.

### SPECIFICATIONS

**Type:** Crystal, moisture-inhibited.

**Frequency Response:** 60 to 8,000 cps

**Impedance:** High Impedance. Can be used with any standard amplifier employing high impedance input.

It is recommended that the output of the Model 927 and 927S be fed into the grid of the first tube across a resistance of no less than .5 megohm.

**Output Level:** -50 db (0 db - 1 volt/dyne/cm<sup>2</sup>); RETMA sensitivity rating, -150 db.

**Polar Pattern:** Essentially omnidirectional, becoming directional in the high frequency range. See Fig. 2.

**On-OFF Switch:** (927S only) Leaf-type switch short circuits output in "OFF" position.

**Case:** Pressure diecast front and plastic back.

**Finish:** Metalustre gray front and medium gray back.

**Dimensions:**

Width: 1-7/16 in. Depth: 1-11/32 in.

Length: 7-11/16 in.

See Fig. 3.

**Net Weight:** 14 oz. including cable

**Cable:** 5-ft single-conductor, shielded, plastic jacketed. Equipped with interal strain relief to prevent cable breakage.



# Electro-Voice Specifications / Model 927 and 927S Microphones

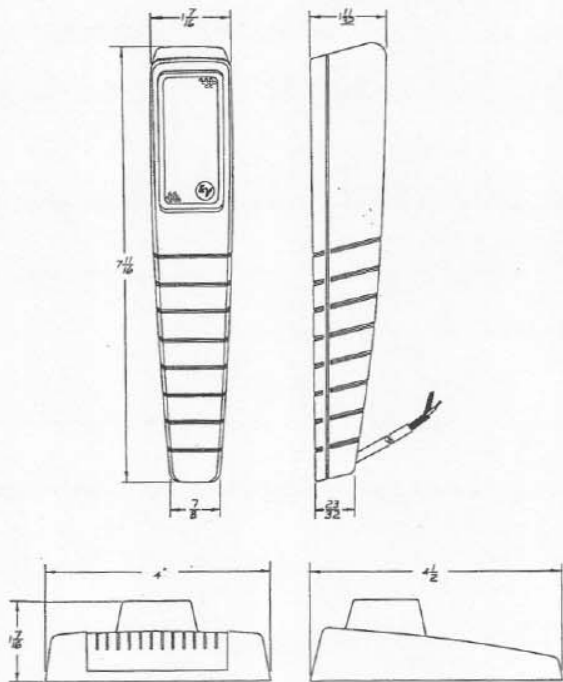


Fig. 3 — Dimensions

**Temperature:** Crystal microphones should not be exposed to temperatures higher than 112° F. Avoid direct sunlight, closed automobiles, or show windows in hot weather for extended periods of time.

**Cable Loss:**

Cable Length in Feet	DB loss in Level
20	.8
40	1.4
60	2.0
100	3.2
150	4.4
200	5.6

**Warranty:** The Electro-Voice Models 927 and 927S Microphones are guaranteed against defects in workmanship and material.

## Architects' and Engineers' Specifications

*(The following specifications may be used when Model 927S is required by substituting model number 927S for model number 927.)*

The microphone shall be an Electro-Voice Model 927 or equivalent. The microphone shall be a pressure, crystal type with a uniform frequency response from 60 to 8000 cps. The microphone shall be omnidirectional becoming slightly directional at high frequencies. The microphone shall have a high-impedance output. The high-impedance output level shall be -50 db with 0 db equaling 1 volt/dyne/cm<sup>2</sup>. The RETMA sensitivity rating shall be -150 db.

The case shall be of high-pressure diecast zinc front with plastic back. The microphone shall have a maximum net weight of 14 oz. including cable. A 5-ft. single-conductor, shielded cable shall be provided.

*(When Model 927S is required add the following sentence to the Architects' and Engineers' Specifications.)*

The Model 927S microphone or equivalent shall have an OFF-ON switch utilizing a leaf-type switch that short circuits the microphone output in the "OFF" position.

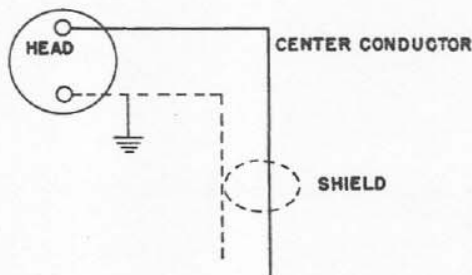


Fig. 4 — Model 927 Wiring Diagram

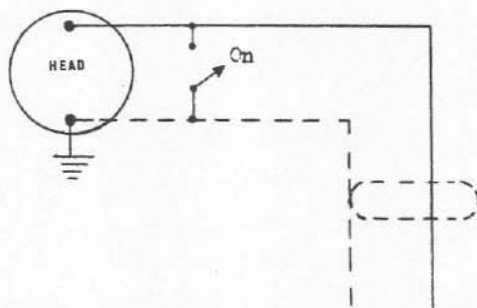


Fig. 5 — Model 927S Wiring Diagram



ELECTRO-VOICE, INC. / BUCHANAN, MICHIGAN

## Free Manuals Download Website

<http://myh66.com>

<http://usermanuals.us>

<http://www.somanuals.com>

<http://www.4manuals.cc>

<http://www.manual-lib.com>

<http://www.404manual.com>

<http://www.luxmanual.com>

<http://aubethermostatmanual.com>

Golf course search by state

<http://golfingnear.com>

Email search by domain

<http://emailbydomain.com>

Auto manuals search

<http://auto.somanuals.com>

TV manuals search

<http://tv.somanuals.com>