

Cobalt™ **Co₇**
Crossroads Vocal Microphone



C O B A L T™
W I R E D
M I C R O P H O N E S

General Product Description

The Co7 is the perfect choice for the performer who wants hassle free sound – a mic that performs in high volume situations without feedback. Built to the same standards of EV's N/DYM microphones, this mic's low handling noise also makes it ideal in critical acoustic settings.

Microphone Use and Placement

Please note that miking techniques are a matter of personal preference. These are merely guidelines to assist in the placement of the microphone to gain optimal performance.

| Usage | Optimal Placement |
|-------------|--|
| Vocals | Zero to six inches from the windscreen, and on axis with the microphone. |
| Spoken Word | Five to ten inches from the windscreen, and on axis with microphone |

Standard Placement & Use Guidelines

1. Always point the microphone at the desired source of sound, and away from any unwanted sources.
2. The microphone should be located close to the sound source to minimize interference from other potential sound sources.
3. Use the 3-to-1 rule when using multiple microphones. Place each microphone three times farther from other microphones as from the desired sound source.
4. Minimize over-handling of the microphone to reduce unwanted mechanical noise.
5. Working close to the microphone will increase the bass tone and also provide increased gain-before-feedback.



Cobalt™ Co₇

Crossroads Vocal Microphone

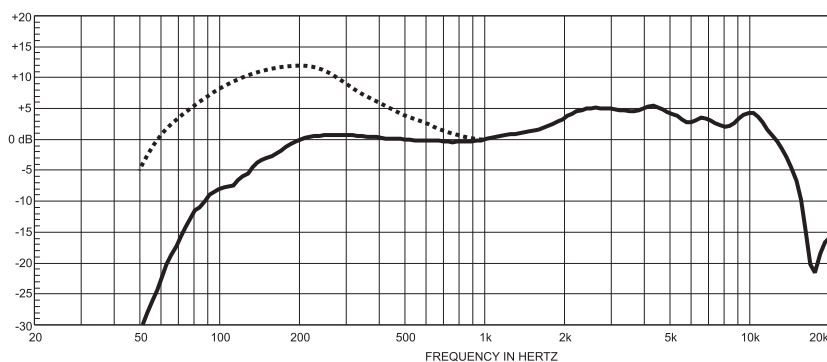
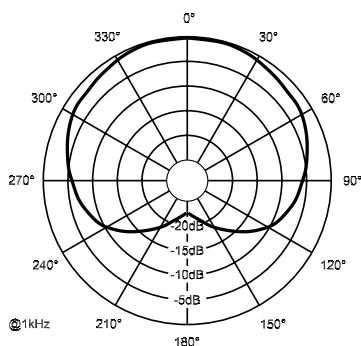
Specifications

| | |
|--|--|
| Element | Dynamic Neodymium magnet structure |
| Frequency Response | 50 Hz to 18 kHz |
| Polar Pattern | Cardioid |
| Impedance | Low-Z balanced (600 Ohms) |
| Sensitivity Open Circuit Voltage | 3.2 mV/PA (-50 dBV) re 1 Pa* 1 Pa = 94 dB SPL |
| Microphone Connector | 3-pin, XLR-type |
| Polarity | Pin 2 positive, referenced to pin 3 with positive pressure on diaphragm |
| Finish | Durable polyurethane paint |
| Materials | Die cast zinc housing |
| Dimensions | |
| Length | 6.7 in. (170 mm) |
| Diameter | 2.1 in. (53 mm) |
| Shank | .85 in. (22 mm) |
| Weight | |
| Net | 11.7 oz. (332 grams) |
| Shipping | 29.8 oz. (845 grams) |
| Accessories included | Stand adaptor (black) Gig bag |



Cobalt™

professional microphones



■■■■■ CLOSE RESPONSE



12000 Portland Avenue South, Burnsville, MN 55337
Phone: 952/884-4051, Fax: 952/884-0043

www.electrovoice.com

© Telex Communications, Inc. 9/2003

Part Number 38109-895 Rev. B

U.S.A. and Canada only. For customer orders, contact Customer Service at:
800/392-3497 Fax: 800/955-6831

Europe, Africa, and Middle East only. For customer orders, contact Customer Service at:
+ 49 9421-706 0 Fax: + 49 9421-706 265

Other International locations. For customer orders, contact Customer Service at:
+ 1 952 884-4051 Fax: + 1 952 736-4212

For warranty repair or service information, contact the Service Repair department at:

800/553-5992 or 402/467-5321

For technical assistance, contact Technical Support at:

800/392-3497 or 952/736-4656

Specifications subject to change without notice.

Free Manuals Download Website

<http://myh66.com>

<http://usermanuals.us>

<http://www.somanuals.com>

<http://www.4manuals.cc>

<http://www.manual-lib.com>

<http://www.404manual.com>

<http://www.luxmanual.com>

<http://aubethermostatmanual.com>

Golf course search by state

<http://golfingnear.com>

Email search by domain

<http://emailbydomain.com>

Auto manuals search

<http://auto.somanuals.com>

TV manuals search

<http://tv.somanuals.com>