

Cobalt™ Co₉
Premium Vocal Microphone



C O B A L T™
W I R E D
M I C R O P H O N E S

General Product Description

The Co9 is a favorite among vocalists across all musical genres. Regardless of the live performance application, sound technicians and engineers feel confident with this mic. A slight bass roll-off and accentuated midrange make this a superb, world-class sound transducer.

Microphone Use and Placement

Please note that miking techniques are a matter of personal preference. These are merely guidelines to assist in the placement of the microphone to gain optimal performance.

Usage	Optimal Placement
Vocals	Zero to six inches from the windscreen, and on axis with the microphone.
Spoken Word	Five to ten inches from the windscreen, and on axis with microphone

Standard Placement & Use Guidelines

1. Always point the microphone at the desired source of sound, and away from any unwanted sources.
2. The microphone should be located close to the sound source to minimize interference from other potential sound sources.
3. Use the 3-to-1 rule when using multiple microphones. Place each microphone three times farther from other microphones as from the desired sound source.
4. Minimize over-handling of the microphone to reduce unwanted mechanical noise.
5. Working close to the microphone will increase the bass tone and also provide increased gain-before-feedback.



Cobalt™ Co₉

Premium Vocal Microphone

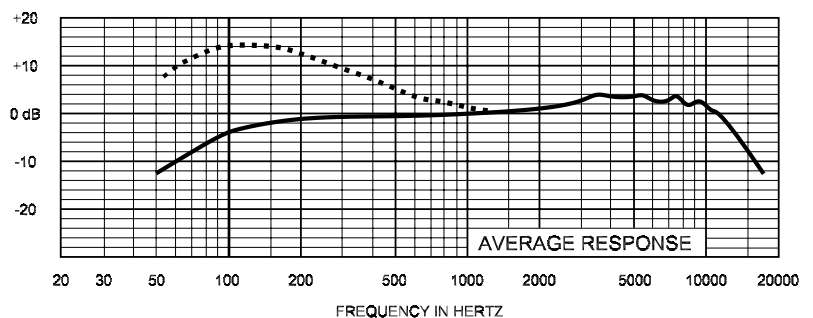
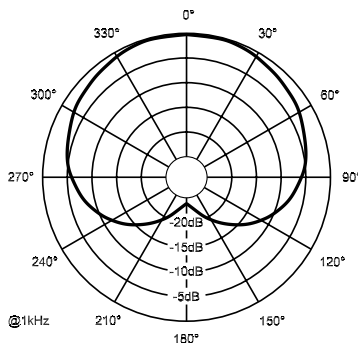
Specifications

Element	Dynamic Neodymium magnet structure
Frequency Response	50 Hz to 18 kHz
Polar Pattern	Cardioid
Impedance	Low-Z balanced (600 Ohms)
Sensitivity Open Circuit Voltage	3.2 mV/PA (-50 dBV) re 1 Pa* 1 Pa = 94 dB SPL
Microphone Connector	3-pin, XLR-type
Polarity	Pin 2 positive, referenced to pin 3 with positive pressure on diaphragm
Finish	Durable polyurethane paint
Materials	Die cast zinc housing
Dimensions	
Length	6.7 in. (170 mm)
Diameter	2.1 in. (53 mm)
Shank	.85 in. (22 mm)
Weight	
Net	11.8 oz. (335 grams)
Shipping	29.9 oz. (848 grams)
Accessories included	Stand adaptor (black) Gig bag



Cobalt™

professional microphones



EV Electro-Voice®

12000 Portland Avenue South, Burnsville, MN 55337
Phone: 952/884-4051, Fax: 952/884-0043

www.electrovoice.com

© Telex Communications, Inc. 9/2003

Part Number 38109-896 Rev. B

U.S.A. and Canada only. For customer orders, contact Customer Service at:
800/392-3497 Fax: 800/955-6831

Europe, Africa, and Middle East only. For customer orders, contact Customer Service at:
+ 49 9421-706 0 Fax: + 49 9421-706 265

Other International locations. For customer orders, contact Customer Service at:
+ 1 952 884-4051 Fax: + 1 952 736-4212

For warranty repair or service information, contact the Service Repair department at:

800/553-5992 or 402/467-5321

For technical assistance, contact Technical Support at:

800/392-3497 or 952/736-4656

Specifications subject to change without notice.

Free Manuals Download Website

<http://myh66.com>

<http://usermanuals.us>

<http://www.somanuals.com>

<http://www.4manuals.cc>

<http://www.manual-lib.com>

<http://www.404manual.com>

<http://www.luxmanual.com>

<http://aubethermostatmanual.com>

Golf course search by state

<http://golfingnear.com>

Email search by domain

<http://emailbydomain.com>

Auto manuals search

<http://auto.somanuals.com>

TV manuals search

<http://tv.somanuals.com>