



Key Features:

- Designed specifically for kick drum applications in live or studio environments
- Optimized sensitivity for the high sound pressure levels found in bass drum micing
- Extended low-frequency response
- No additional EQ required
- Rugged steel construction for exceptional durability



General Description:

The N/D868 is truly a top performer in any application. Whether in a live sound or studio environment, the N/D868 is able to handle incredibly high sound pressure levels without distortion or overriding the input mixer. With a response specifically designed to “kick” the N/D868 can be used “as is”—no additional EQ required. Electrovoice was the first to utilize the neodymium magnet structure, and it remains at the heart of our new N/DYM series of microphones. Experience the leader again for the first time and hear the difference.

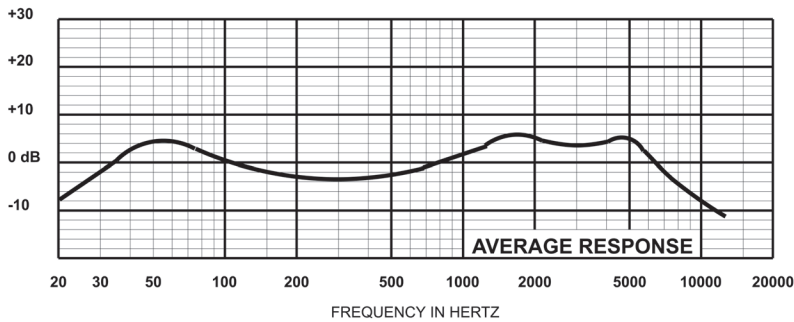
Operation

The low frequency response of the N/D868 microphone varies with the distance from the sound source. Known as “proximity effect,” maximum bass response is produced in “close-up” use with the microphone 1/4 inch from the sound source. Normal bass response is experienced with working distances greater than 24 inches. Working close to the microphone will produce a more robust sound. Close up positioning of the microphone will also reduce the potential for feedback from the sound reinforcement system. Then, the bass-boost provides an increase in overall microphone output level. The mixer gain may be proportionately reduced, resulting in a reduction of the system's sensitivity to feedback caused by sound entering the microphone from the loudspeakers.

Technical Specifications:

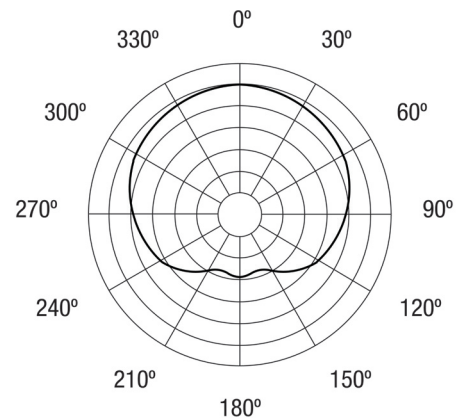
Element:	Dynamic N/DYM® magnet structure
Freq. Response, Close:	20 Hz - 10,000 Hz
Polar Pattern:	Cardioid
Sensitivity, Open Circuit Voltage @ 1 kHz:	1.0 mV/pascal
Dynamic Range:	144 dB
Polarity:	Positive pressure on diaphragm causes positive voltage on pin2 ref. pin3
Impedance:	150 ohms balanced (low-z)
Microphone Connector:	3-pin, XLR-type
Finish:	Non-reflecting black
Materials:	Memraflex™ grille screen Steel Case
Accessories Included:	320 Stand Adapter Soft Zippered "Gig" Bag
Dimensions, Length:	5.22" (132.6 mm)
Diameter:	2.36" (60 mm)
Shank:	1.0" (25.4 mm)
Net Weight:	10.4 oz (295 g)
Shipping Weight:	26.5 oz (750 g)

Frequency Response:



Polar Response:

(5 dB per division)
— 1000 Hz



Microphone Use and Placement

Please note that micing techniques are a matter of personal preference. These are merely guidelines to assist in the placement of the microphone to gain optimal performance.

Usage

Kick Drum

Optimal Placement

Remove drum head and damp with a pillow or blanket. Position the mic on the pillow or blanket a few inches in front of the drum beater. As an alternative, position the mic on a small boom stand with the mic extended into the drum and at a 90° angle to the drum beater.

Standard Placement & Use Guidelines

1. Always point the microphone at the desired source of sound, and away from any unwanted sources.
2. The microphone should be located close to the sound source to minimize interference from other potential sound sources.
3. Use the 3-to-1 rule when using multiple microphones. Place each microphone three times farther from other microphones as from the desired sound source.
4. Minimize over-handling of the microphone to reduce unwanted mechanical noise.
5. Working close to the microphone will increase the bass tone and also provide increased gain-before-feedback.

N/D868 Part Number: 6682819



12000 Portland Avenue South, Burnsville, MN 55337

Phone: 952/884-4051, Fax: 952/884-0043

www.electrovoice.com

© Telex Communications, Inc. 9/2003

Part Number 38109-827 Rev. B

U.S.A. and Canada only. For customer orders, contact Customer Service at:

800/392-3497 Fax: 800/955-6831

Europe, Africa, and Middle East only. For customer orders, contact Customer Service at:

+ 49 9421-706 0 Fax: + 49 9421-706 265

Other International locations. For customer orders, contact Customer Service at:

+ 1 952 884-4051 Fax: + 1 952 736-4212

For warranty repair or service information, contact the Service Repair department at:

800/553-5992 or 402/467-5321

For technical assistance, contact Technical Support at:

800/392-3497 or 952/736-4656

Specifications subject to change without notice.

Free Manuals Download Website

<http://myh66.com>

<http://usermanuals.us>

<http://www.somanuals.com>

<http://www.4manuals.cc>

<http://www.manual-lib.com>

<http://www.404manual.com>

<http://www.luxmanual.com>

<http://aubethermostatmanual.com>

Golf course search by state

<http://golfingnear.com>

Email search by domain

<http://emailbydomain.com>

Auto manuals search

<http://auto.somanuals.com>

TV manuals search

<http://tv.somanuals.com>