

RE90TX
Ultra-Miniature Condenser
Lavalier Microphone
with TA4F Connector



Key Features:

- **Ultra-Miniature Size for Inconspicuous Attachment**
- **Lightweight**
- **Omnidirectional Polar Pattern Provides Clean Sound and Uniform Response**
- **Complete Assortment of Clips**
- **Terminated with Female TA4 Connector**



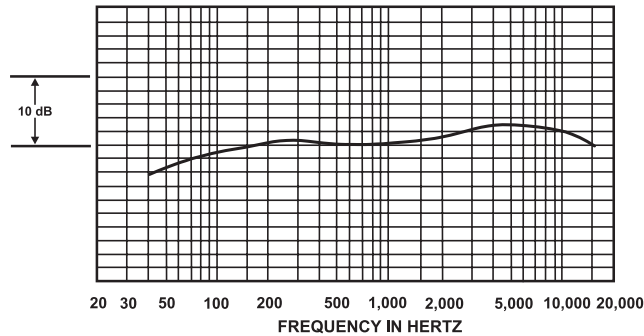
General Description:

The Electro-Voice® RE90TX is an omnidirectional back-electret condenser lavalier microphone designed for the *Architectural Series Microphone* line. The RE90TX is intended for sound reinforcement applications such as houses of worship, schools, or other venues where full-range, natural, well-balanced sound is required. The omnidirectional polar characteristics of the RE90TX provide clean and accurate sonic quality and uniform output regardless of the microphone's position relative to the sound source. The RE90TX is designed to attach to the talker's clothing using the supplied clips. The electronics housing features a side clip to facilitate attachment to a belt or pocket. In addition, the extremely compact size of the RE90TX is ideal for performance or house of worship applications where the microphone must remain as inconspicuous as possible to the viewing audience. The RE90TX comes supplied with 4 feet of cable, terminated with a 4-pin TA4F connector, and a tie clasp with non-reflecting black finish.

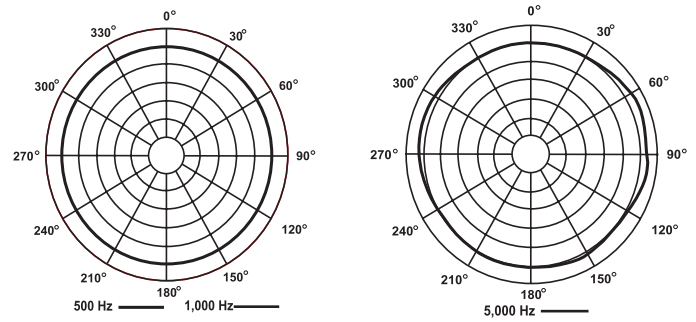
Technical Specifications:

Generating Element:	Condenser, back electret
Frequency Response:	20 to 20,000 Hz
Polar Pattern:	Omnidirectional
Sensitivity, Open-Circuit Voltage:	5 mV/pascal
Maximum SPL at 1% THD:	140 dB SPL
Equivalent Noise:	29 dB SPL, typical, A weighted (0 dB = 20 micropascals)
Dynamic Range:	>110 dB
Output Impedance at 1 kHz:	5000 Ohms
Power Requirements:	5Vdc
Current Consumption:	1.0 mA typical
Polarity:	A positive pressure on the diaphragm produces a positive voltage on output pin 2 (+)
Finish:	Nonreflecting black
Length:	8.3 mm (0.325 in.)
Body Diameter:	5 mm (0.195 in.)
Cable Length:	1.8 m (6 ft.), w/TA4F Connector
Net Weight:	33.5 g (1.2 oz.)
Shipping Weight:	235 g (8.3 oz.)
Furnished Accessories:	External Windscreen Universal Tie Clip Tie Tac Zippered Gig Bag
Optional Accessories:	Dual Microphone Clip

Frequency Response:



Polar Response:



Application Notes:

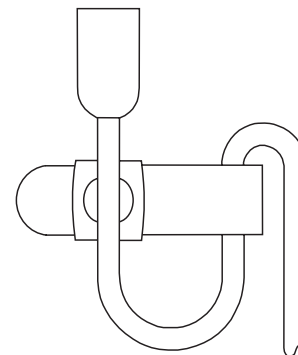
Using the Windscreen

The RE90TX includes a windscreen that can be used anytime wind noise or breath pop is a problem. To install the windscreen, simply press it on the top of the microphone. The windscreen has an internal frame that includes a stop to help positioned the windscreen correctly. When installing the windscreen, make sure to push it down on the microphone as far as it will go. This will ensure that the frame inside the windscreen doesn't cover any of the acoustic side ports on the microphone.

Microphone Positioning (For Best Results)

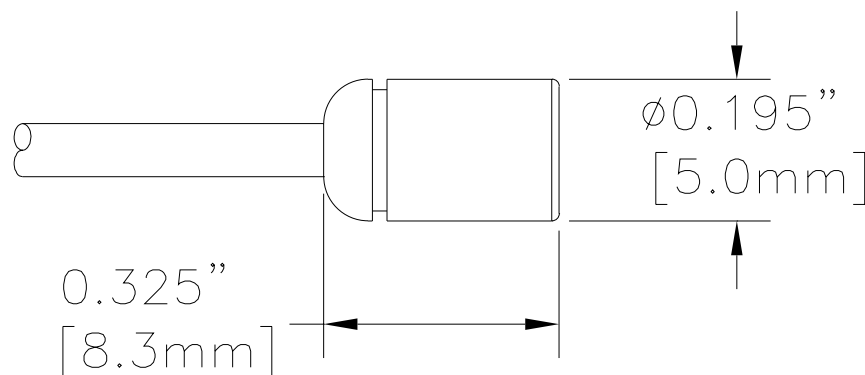
Best results will be achieved with the mic positioned 3 to 6 inches below the neckline. Typical locations are on the lapel, shirt collar, or on the shirt directly below the chin. You should avoid covering the microphone with any cloth, since this could change the frequency response characteristics of the microphone.

If mechanical noise pickup from the cable is a problem, it can be minimized by looping the cable up and through the tie clip as shown.



Cable Position with Tie Clip

Dimensions:



EV Electro-Voice®

12000 Portland Avenue South, Burnsville, MN 55337
Phone: 952/884-4051, Fax: 952/884-0043

www.electrovoice.com

© Telex Communications, Inc. 1/2004
Part Number 38110-339 Rev A

U.S.A. and Canada only. For customer orders, contact Customer Service at:

800/392-3497 Fax: 800/955-6831

Europe, Africa, and Middle East only. For customer orders, contact Customer Service at:

+ 49 9421-706 0 Fax: + 49 9421-706 265

Other International locations. For customer orders, contact Customer Service at:

+ 1 952 884-4051 Fax: + 1 952 736-4212

For warranty repair or service information, contact the Service Repair department at:

800/553-5992 or 402/467-5321

For technical assistance, contact Technical Support at: **800/392-3497 or 952/736-4656**

Specifications subject to change without notice.

Free Manuals Download Website

<http://myh66.com>

<http://usermanuals.us>

<http://www.somanuals.com>

<http://www.4manuals.cc>

<http://www.manual-lib.com>

<http://www.404manual.com>

<http://www.luxmanual.com>

<http://aubethermostatmanual.com>

Golf course search by state

<http://golfingnear.com>

Email search by domain

<http://emailbydomain.com>

Auto manuals search

<http://auto.somanuals.com>

TV manuals search

<http://tv.somanuals.com>