

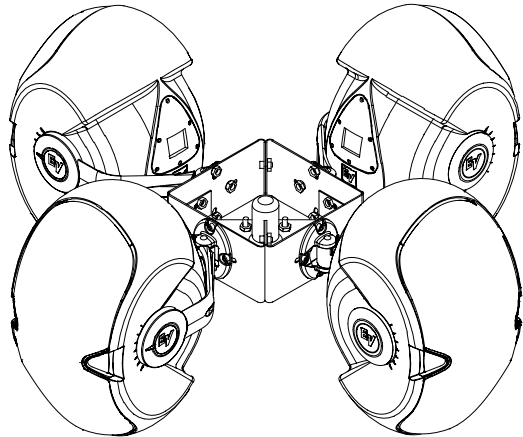


AB-34 / AB-64 Array Bracket System

Assembly and Installation Instructions

360° Array Bracket Kit

AB-34 and AB-64 series kits feature a 4 sided powder coated steel mounting assembly that allows the mounting of 4 EVID speakers into a 360° pattern array configuration. The AB-34 works with the EVID 3.2 series and can be used with a threaded rod for suspension from the ceiling. The AB-64 is used with the EVID 4.2 or 6.2 series speakers and can be hung from the ceiling using a threaded rod or used with a speaker stand tripod as shown. The EVID's can then be adjusted using the Strong Arm Mount™ to cover a variety of patterns to best serve the installation requirements. All assembly hardware is included.



Evid 3.2 360° Array Bracket Kit Includes		
Item	Qty.	Description
1	2	Array Bracket, Evid 3.2
2	1	360° Array Adapter, Evid 3.2
3	20	Screw, 1/4"-20 x .5"
4	20	Flat Washer, (1/4" inside Dia.)
5	20	Lock Nut, 1/4"-20

Evid 6.2/4.2 360° Array Bracket Kit Includes		
Item	Qty.	Description
1	2	Array Bracket, Evid 6.2/4.2
2	1	360° Array Adapter, Evid 6.2/4.2
3	20	Screw, 1/4"-20 x .5"
4	24	Flat Washer, (1/4" inside Dia.)
5	24	Lock Nut, 1/4"-20
6	4	Flat Head Screw, 1/4"-20 x .5"
7	1	Threaded Rod Adapter, Evid 6.2/4.2
8	1	Pole Mount

Ceiling Suspension (All Sizes)

Step 1: Assemble Array Brackets

Assemble the 2 Array Brackets (Item 1) using 4 Screws (Item 3), 4 Flat Washers (Item 4), and 4 Lock Nuts (Item 5) as shown in Figure 1.

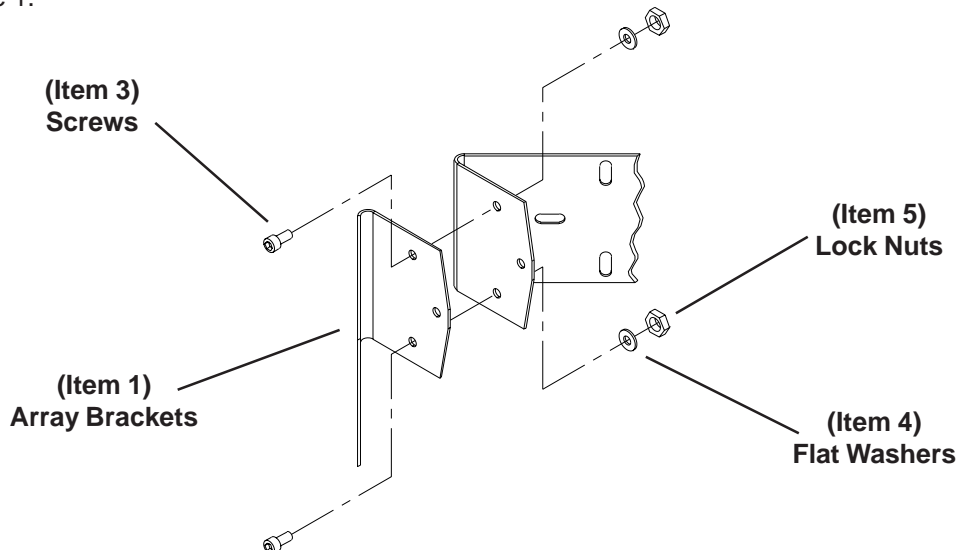


Figure 1

Ceiling Suspension (Continued)

Step 2: Assemble SAM's to Array Bracket

Attach the Strong Arm Mounts™ (SAM) to the Array Bracket (Item 1) using 4 Screws (Item 3), 4 Flat Washers (Item 4), and 4 Lock Nuts (Item 5) per SAM as shown in Figure 2. One Screw for each SAM will be used to attach the 360° Array Adapter (Item 2).

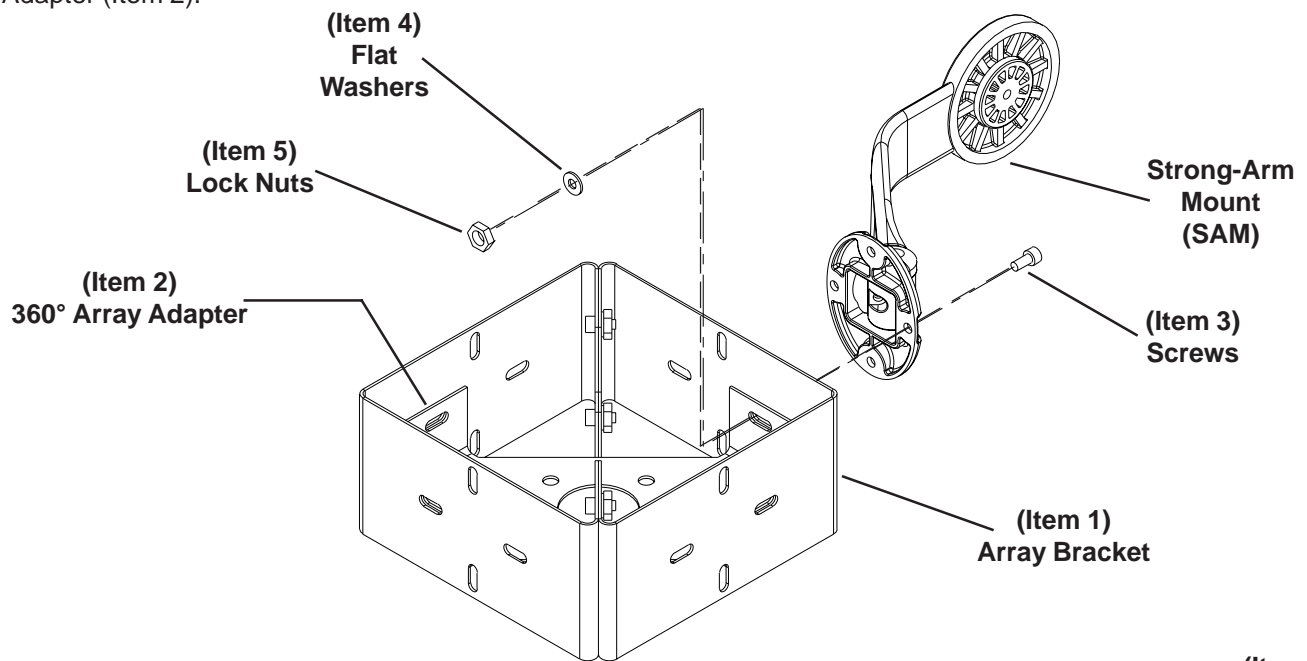


Figure 2
Evid 6.2/4.2/3.2 Bracket Assembly

Step 3: Assemble Threaded Rod Adapter to 360° Array Adapter

Attach the Threaded Rod Adapter (Item 7) to the 360° Array Adapter (Item 2) using 4 Flat Head Screws (Item 6), 4 Flat Washers (Item 4), and 4 Lock Nuts (Item 5) as shown in Figure 3.

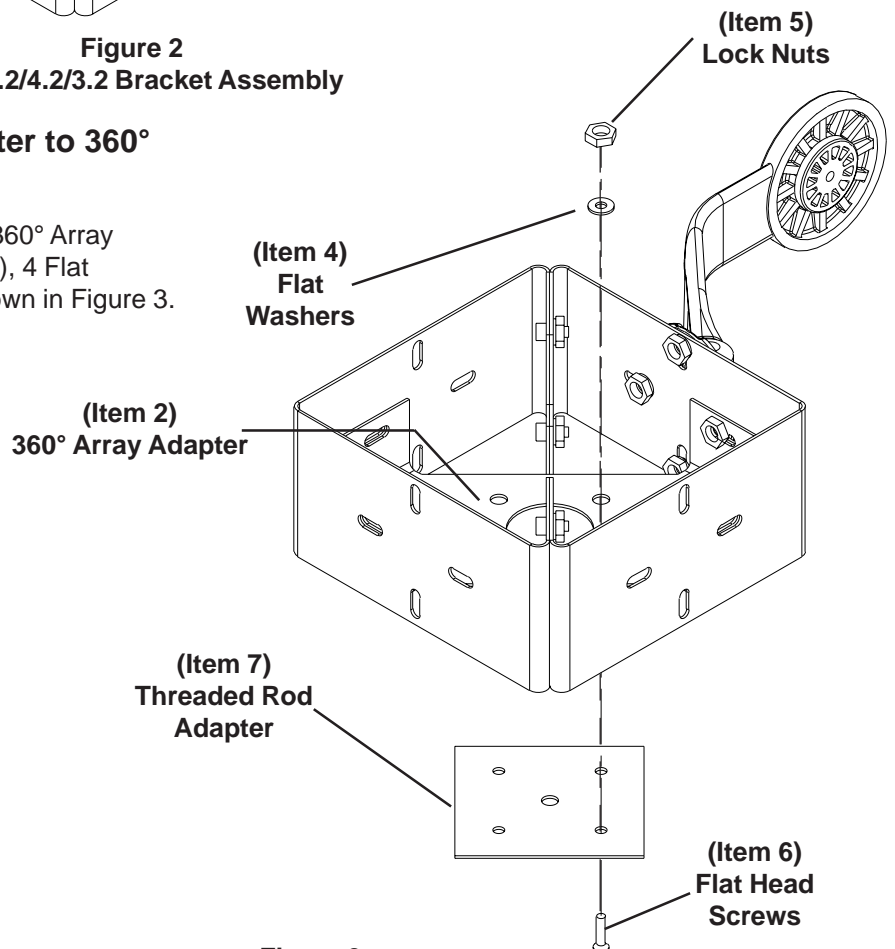


Figure 3
Threaded Rod Adapter Assembly

Tripod Mounting (6.2/4.2 only)

Step 1: Assemble Array Brackets

(See Page 1.)

Step 2: Assemble SAM's to Array Bracket

(See Page 2.)

Step 3: Assemble Pole Mount to 360° Array Adapter

Mount Pole Mount (Item 8) to the 360° Array Adapter (Item 7) using 4 Flat Head Screws (Item 6), 4 Flat Washers (Item 4) and 4 Lock Nuts (Item 5) as shown in Figure 4.

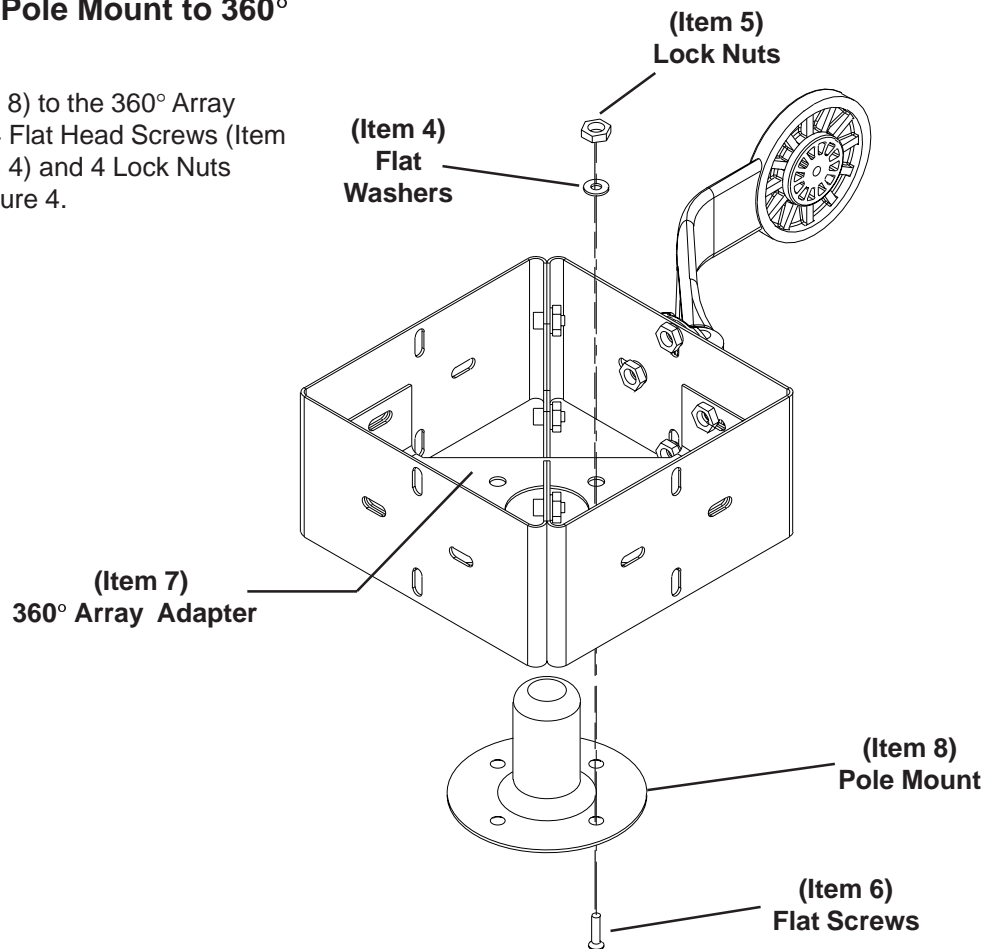
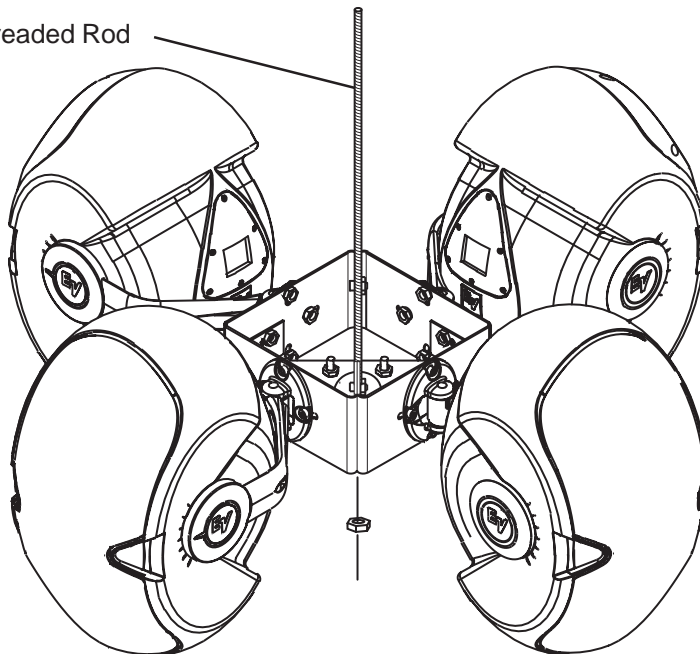
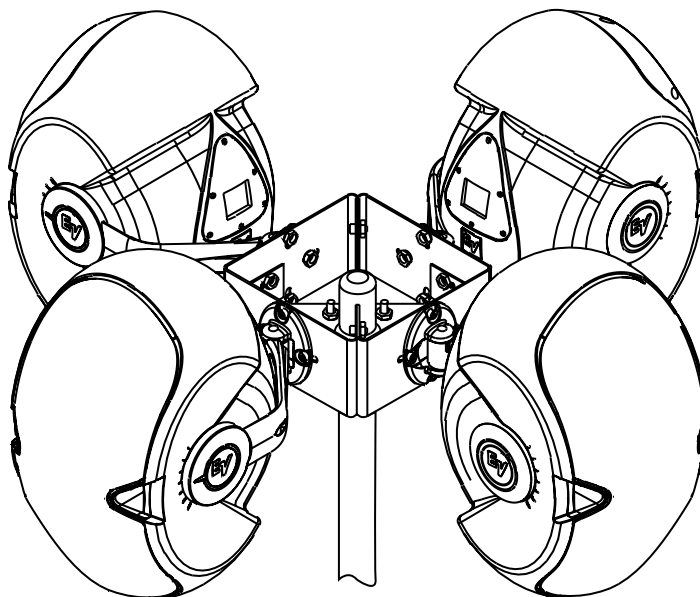


Figure 4
Pole Mount Assembly

3/8 Threaded Rod



Threaded Rod Suspension



Pole Mount

Suspension Safety Warning

This guide provides instruction on how to use EVID components to create example arrays. Correct use of this hardware is required for secure array construction. Only persons with the knowledge of proper hardware and safe suspension techniques should attempt to suspend any sound systems overhead. **CAUTION!** The weakest component determines the size and safety of the entire array. Before suspending any array always inspect all components of the array including building structural supports for cracks, deformations, corrosion or damage that could reduce strength and safety of the array.

It is the responsibility of the user to ensure that any Electro-Voice loudspeaker system is suspended overhead in accordance with all current federal, state, and local regulations.

Free Manuals Download Website

<http://myh66.com>

<http://usermanuals.us>

<http://www.somanuals.com>

<http://www.4manuals.cc>

<http://www.manual-lib.com>

<http://www.404manual.com>

<http://www.luxmanual.com>

<http://aubethermostatmanual.com>

Golf course search by state

<http://golfingnear.com>

Email search by domain

<http://emailbydomain.com>

Auto manuals search

<http://auto.somanuals.com>

TV manuals search

<http://tv.somanuals.com>