



DESCRIPTION

Incorporating all the design advantages of the famous Electro-Voice Radax Coaxial principle, the 15TRX and 15TRXB integrated 3-way loudspeakers include, also, the latest developments in the art of reproducing the highest audible frequencies through the use of integral Super Sonax VHF drivers. Bass response is excellent, affording pleasing musical balance without the masking effects often experienced from extended high-frequency reproduction.

Both the 15TRX and 15TRXB loudspeakers are tailored to optimum listening requirements; latest developments incorporated insure uniform, smooth coverage of the entire listening area. The engineered features of these E-V integrated 3-way speakers include true concentric mounting of all reproducing elements; augmented balanced bass response in conjunction with smooth, extended high-frequency reproduction; carefully tailored mid-range characteristic to provide realism and a considerable degree of "presence" at usual sound levels. Both the 15TRX and 15TRXB incorporate the exclusive Sonophase throat design in the high-frequency section. The importance of the Sonophase throat is paramount above 12 kHz where sound must be taken from the center of the diaphragm and periphery simultaneously. In this design this is accomplished without destructive interference or cancellation within the sound chamber.

Further benefits are afforded in the high-frequency section of the Electro-Voice integrated 3-way speakers by the incorporation of E-V developed diffraction horns to achieve the best dispersion. An adjustable "brilliance" control is incorporated to allow matching of response to room acoustics, compensating for high-frequency absorptive effects of heavy draperies and soft furnishings. A true 2-way electrical crossover network minimizes distortion, and a massive ceramic magnet assembly provides highest efficiency, excellent damping and extended range.

SPECIFICATIONS

15TRX LOUDSPEAKER

Frequency Response:	25 - 20,000 Hz
Nominal Resonance:	25 Hz
Crossovers,	
Mechanical:	2000 Hz
Electrical:	3500 Hz
EIA Sensitivity Rating:	55 db
Power Capacity,	
Program Material:	40 watts
Peak:	80 watts
Nominal Impedance:	8 ohms
Magnets,	
Woofer:	4 lb., 10 oz., ceramic
Tweeter:	6.8 oz., Alnico V
Size:	15-1/8" dia., 8 3/4" deep
Mounting:	Four 1/4" holes equally spaced on 14-7/16" circle. See Figure 1.
Baffle Opening:	13 1/2"
Net Weight:	27 pounds

15TRXB LOUDSPEAKER

Frequency Response:	30 - 20,000 Hz
Nominal Resonance:	30 Hz
Crossovers,	
Mechanical:	2000 Hz
Electrical:	3500 Hz
EIA Sensitivity Rating:	52 db
Power Capacity,	
Program Material:	30 watts
Peak:	60 watts
Nominal Impedance:	8 ohms
Magnets,	
Woofer:	1 lb., 6 oz., ceramic
Tweeter:	3.16 oz., Alnico V
Size:	15-1/8" dia., 9" deep
Mounting:	Four 1/4" holes equally spaced on 14-9/16" circle. See Figure 2.
Baffle Opening:	13 1/2"
Net Weight:	14 pounds

ENGINEERING DATA 15TRX, 15TRXB 3-WAY LOUDSPEAKERS

INSTALLATION

When a baffle is available of the "infinite" type, such as a closet or a wall with a large volumetric capacity available behind the cone, satisfactory results will be obtained in the accomplishment of the bass range. Optimum results are achieved when the volume is 20 cubic feet or more; for with this volume, the low free-space resonance of the bass cones becomes the controlling factor in achieving the lower octaves of sound.

Where restricted space of only 6 to 8 cubic feet is available for housing the speaker, bass response will deteriorate and the low range will be compressed. This deficiency may be offset somewhat by reinforcing the bass through the incorporation of a frontal port (bass reflex enclosure). More accurate design data on this form of enclosure is available from Electro-Voice in Technical Bulletin No. 10A. Complete dimensional drawings and instructions for the Regency folded horn enclosure may be ordered direct from Electro-Voice for \$2.00 post paid.

MOUNTING THE SPEAKER

Cut a circular hole $13\frac{1}{2}$ inches in diameter. Four $\frac{1}{4}$ inch mounting holes are provided on the periphery of the speaker frame. Use four No. 12 x $1\frac{1}{2}$ inch wood screws, or preferably, drill four $\frac{1}{4}$ inch holes spaced 90-degrees apart on a $14\frac{7}{16}$ inch circle ($14\frac{9}{16}$ " for 15TRXB) and use four $\frac{3}{16}$ inch carriage bolts, 2 inches long, with nuts and washers. Secure the speaker to the front baffle, making certain that the very-high-frequency driver horn has its longest dimension vertical. This will insure widest dispersion of the high frequencies in the horizontal plane. Tighten the remaining screws just enough to compress the speaker gasket.

Drill a $\frac{3}{8}$ inch hole nearby and mount the "brilliance" level control. Insert the level control with the lugs toward the top. Replace the dial and affix it by tightening the lock nut with a pair of long-nosed pliers. Replace the knob on the control and be certain that the dot on the knob coincides with the zero on the dial at maximum clockwise rotation.

AMPLIFIER CONNECTIONS

Number 18 lamp- or "zip-" cord may be used to connect the 15TRX or 15TRXB integrated 3-way loudspeakers to the amplifier. Connect the terminals marked "to amplifier" on the 15TRX, or the black and red terminals on the 15TRXB, to the "8-ohm" and "common" output terminals on your amplifier.

ADJUSTMENT OF LEVEL CONTROLS

Perfect musical balance to match the acoustic conditions in any room may be made by the proper setting of the "brilliance" control. Rooms decorated with drapes, overstuffed furniture, or thick rugs may require an advanced setting of the brilliance control of about $\frac{3}{4}$ clockwise rotation ($\frac{3}{4}$ fully open). Rooms with little absorptive material or of small size and having a high reverberation time, will give best musical balance when the control is set at about $\frac{1}{2}$ open. In order to achieve correct setting

for any particular room, rotate the control while playing a comprehensive musical passage; and, by careful listening, the correct position will become immediately apparent — the highs and lows will come into balance, placing the sound "in focus."

CUSTOMER SERVICE

Electro-Voice products are packed to provide protection well in excess of shipping requirements of the Interstate Commerce Commission. If shipping damage occurs, contact the dealer from whom the unit was purchased, or the carrier, and request inspection and further instructions.

WARRANTY (Limited)

Electro-Voice high fidelity speakers, speaker systems, and accessories are guaranteed for five years from date of original purchase against malfunction due to defects in workmanship and materials. If such malfunction occurs, unit will be repaired or replaced (at our option) without charge for materials or labor if delivered prepaid to the proper Electro-Voice service facility. Unit will be returned prepaid. Warranty does not cover finish or appearance items or malfunction due to abuse or operation at other than specified conditions. Repair by other than Electro-Voice or its authorized service agencies will void this guarantee.

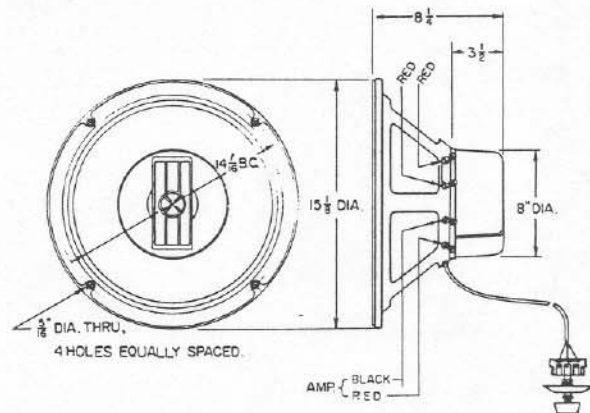


Figure 1 — Dimensions, Model 15TRX

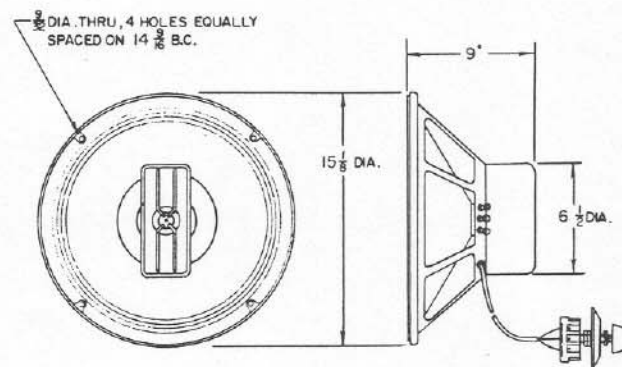
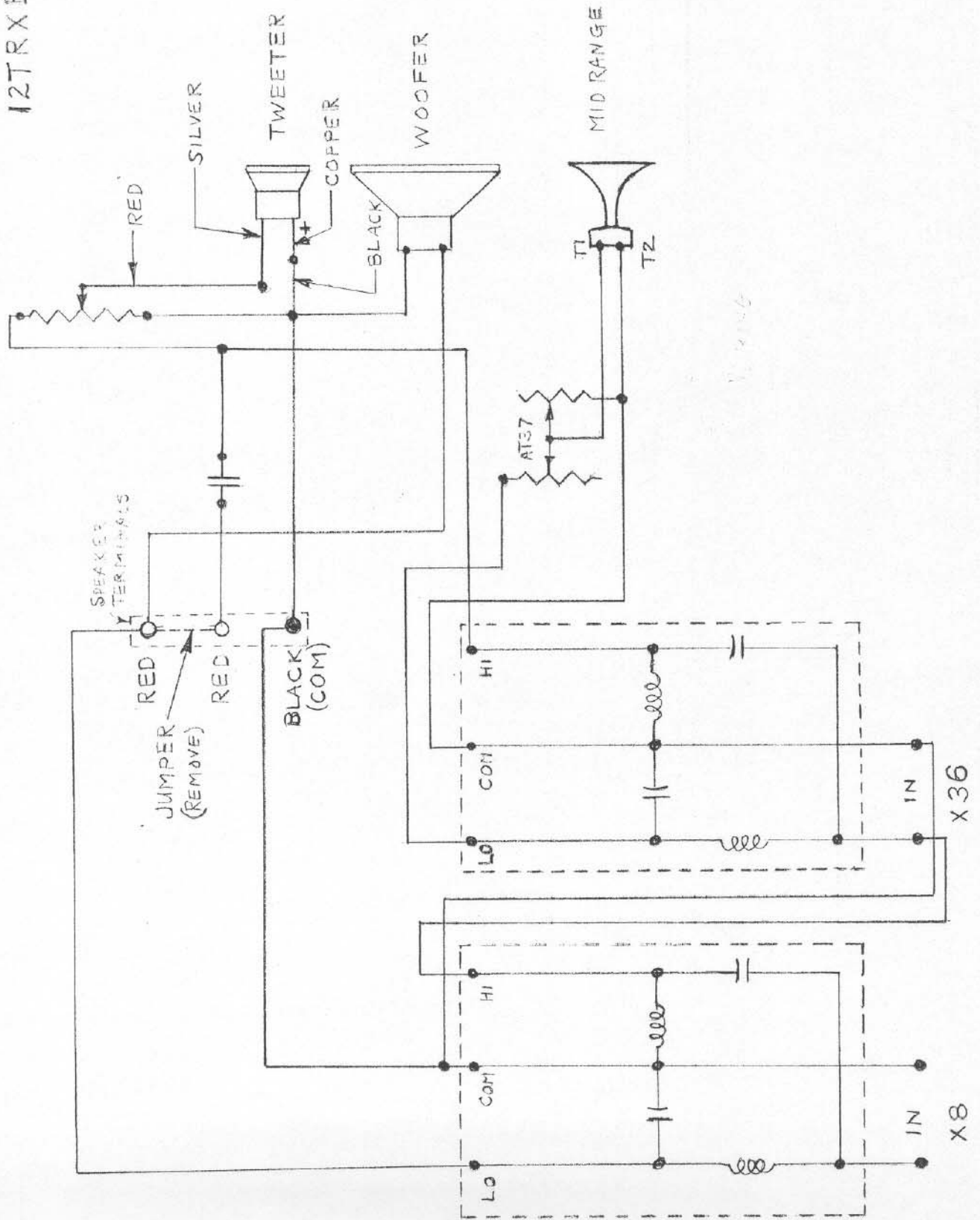


Figure 2 — Dimensions, Model 15TRXB

15TRXB
12TRXB



Free Manuals Download Website

<http://myh66.com>

<http://usermanuals.us>

<http://www.somanuals.com>

<http://www.4manuals.cc>

<http://www.manual-lib.com>

<http://www.404manual.com>

<http://www.luxmanual.com>

<http://aubethermostatmanual.com>

Golf course search by state

<http://golfingnear.com>

Email search by domain

<http://emailbydomain.com>

Auto manuals search

<http://auto.somanuals.com>

TV manuals search

<http://tv.somanuals.com>