

FORCE *i*

Force *i25*
Dual 15-Inch Two-Way
Full-Range Speaker System



Key Features:

- Two-Element Shaded Array
- RMD™ - Ring-Mode Decoupling
- 1-inch Exit Pure Titanium True Compression Driver
- 80° x 55° true Constant-Directivity horn
- High Power Crossover Network
- Built-in Wheels for Easy Transport
- Manufactured in the United States



General Description:

The Force i25 is a dual 15" two-way system with the heart and soul of a subwoofer. Utilizing a two element shaded array, the upper woofer covers bass and mids while the lower woofer combines to drive the huge bass port with room-shaking efficiency. EV's Ring Mode Decoupling (RMD) technology assures that voices and instruments will stay smooth and detailed regardless of level. The DH3 one inch exit true compression driver has a pure titanium diaphragm for sparkling, crystal clear highs. Coupled with our proven 80° x 55° low distortion Constant Directivity™ horn, your audience will hear more details more clearly throughout more of the room than with typical competitive 90° horns. The large single handle on the top of the enclosure makes it easy to tilt and roll the Force i25 on its built-in pocket wheels. For truly outstanding performance, power a pair of Electro-Voice Force i25's with an Electro-Voice CP2200 power amplifier or a Dynacord PowerMate™ powered mixer.

Technical Specifications:

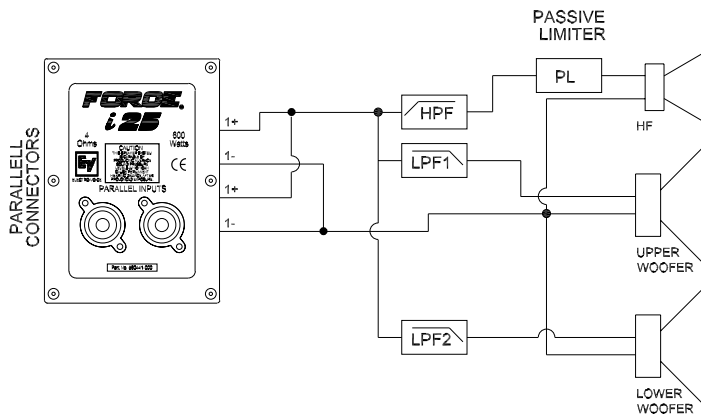
Freq. Response (-3 dB) ¹ :	46 Hz - 18 kHz
Freq. Range (-10 dB) ¹ :	35 Hz - 20 kHz
Sensitivity (1W / 1m):	100 dB
Max. Calc. SPL:	134 dB
Power Handling:	600W
Coverage:	80° x 55°
Impedance (Nominal):	4 ohms
LF Transducers:	(2) EV-15E, 15" (381mm) LF Drivers
HF Transducer:	DH3, 1" (25.4mm) Exit HF Compression Driver
Crossover Frequency:	2.15 kHz
Finish:	Heavy Duty Black Carpet
Connectors:	(2) Speakon® NL4
Grille:	Powder Coated Steel
Dim (H x W x D) in:	45.98" x 17.92" x 20.25"
Dim (H x W x D) mm:	1168 mm x 455 mm x 514 mm
Net Weight:	106 lbs (48.1 kg)
Shipping Weight:	116 lbs (52.7 kg)

¹ Frequency Response 1/2 Space

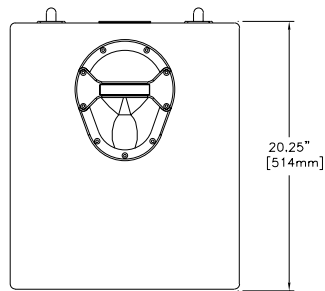
 **Electro-Voice**®

Download from www.Somanuals.com. All Manuals Search And Download.

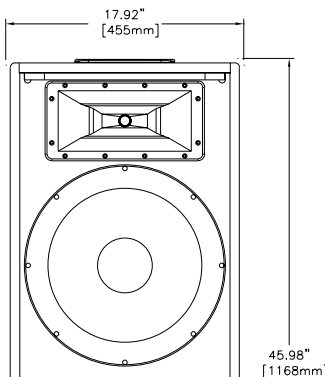
Block Diagram:



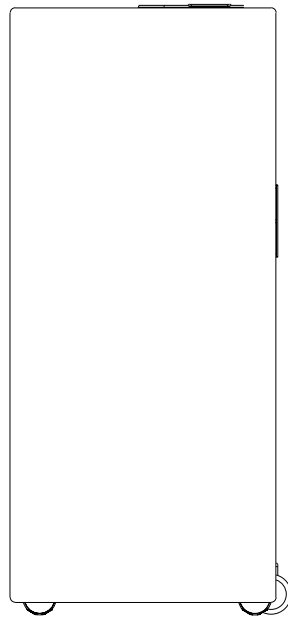
Dimension Drawings:



Top

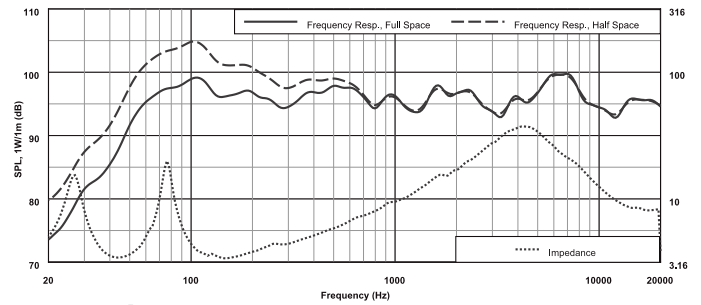


Front

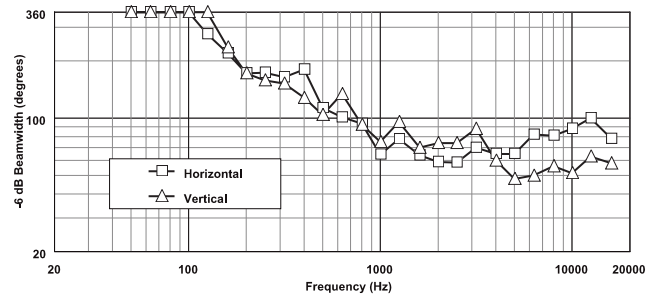


Side

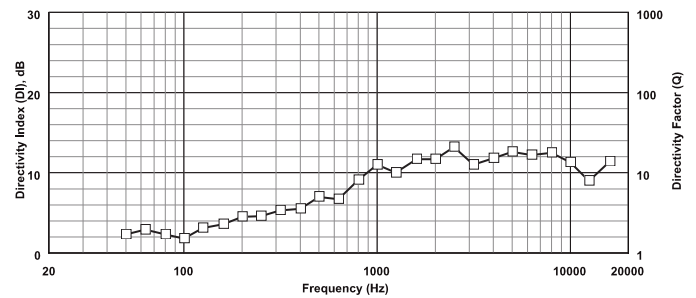
Frequency Response:



Beamwidth:



Directivity:



Performance Match:

- Electro-Voice® CP2200 Power Amplifier
- Dynacord® PowerMate 600 Powered Mixer
- Dynacord® PowerMate 1000 Powered Mixer
- Dynacord® PowerMate 1600 Powered Mixer

EV Electro-Voice®

12000 Portland Avenue South, Burnsville, MN 55337

Phone: 952/884-4051, Fax: 952/884-0043

www.electrovoice.com

© Telex Communications, Inc. 3/2006

Part Number 38110-458 Rev A

U.S.A. and Canada only. For customer orders, contact Customer Service at:

800/392-3497 Fax: 800/955-6831

Europe, Africa, and Middle East only. For customer orders, contact Customer Service at:

+ 49 9421-706 0 Fax: + 49 9421-706 265

Other International locations. For customer orders, contact Customer Service at:

+ 1 952 884-4051 Fax: + 1 952 887-9212

For warranty repair or service information, contact the Service Repair department at:

800/685-2606

For technical assistance, contact Technical Support at: **866/78AUDIO**

Specifications subject to change without notice.

Free Manuals Download Website

<http://myh66.com>

<http://usermanuals.us>

<http://www.somanuals.com>

<http://www.4manuals.cc>

<http://www.manual-lib.com>

<http://www.404manual.com>

<http://www.luxmanual.com>

<http://aubethermostatmanual.com>

Golf course search by state

<http://golfingnear.com>

Email search by domain

<http://emailbydomain.com>

Auto manuals search

<http://auto.somanuals.com>

TV manuals search

<http://tv.somanuals.com>