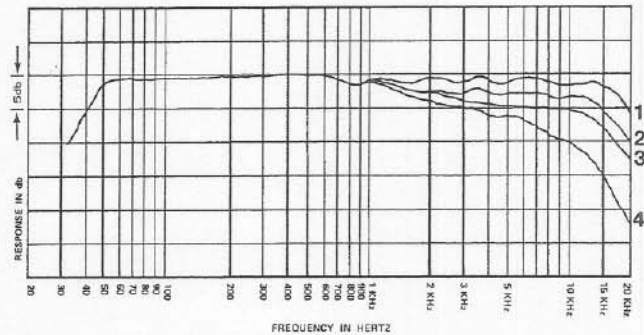


*July 1960*



**FIGURE 1 – Frequency Response**  
(average axis pressure under anechoic conditions)

**DESCRIPTION AND APPLICATIONS**

The Electro-Voice SENTRY IVA incorporates many new and innovative design ideas which represent a significant advance in state-of-the-art speaker design. The 3-way, all horn loaded system offers absolute minimum distortion through all frequencies while providing unequalled efficiency and uniformity over the entire frequency range. With high power handling capacity, extremely uniform and wide dispersion, and linear frequency response, the SENTRY IVA offers versatility for applications in not only studio monitoring, but in high level sound reinforcement, high level playback systems, etc.

The midrange and tweeter horn designs represent the first significantly new sectoral design in 25 years. With vertical dispersion of greater than 60-degrees at all frequencies and extremely stable horizontal dispersion at 120-degrees virtually throughout the frequency range, these horns offer a uniformity of coverage which practically eliminate "hot spots" and "dead areas" in the control room or elsewhere (See Figure 2). Totally new drivers are associated with the midrange and high-frequency components to offer both ruggedness and linear response.

The woofer section also utilizes the folded horn principle for increased efficiency and lower distortion. The design of the enclosure permits linear low-frequency response to within a few cycles of the theoretical enclosure cutoff

frequency of 50 Hz. Two 12-inch cone drivers are used in the folded horn low-frequency section.

The crossover provides push clip terminals for connection of all components.

A female phone plug receptacle is provided for biamping high-frequency input. For those who wish to use an active crossover, all high-frequency information should be routed into the crossover via this receptacle. In this way the crossover between woofer and midrange (400 Hz) is bypassed.

A high-frequency rolloff attenuator is provided on the crossover which increases effective power handling capacity by smoothly attenuating tweeter input power.

**SPECIFICATIONS**

- Frequency Response:** 50 to 18,000 Hz (See Fig. 1)
- EIA Sensitivity (on axis measurements):** 52 dB
- Sound Pressure Level (4' on axis, 50 W):** 117 dB
- Impedance:** 8 ohms nominal
- Power Handling Capacity:** 50 W (see explanation)
- Finish:** Utility Black
- Size:** 27¾" w (70.5cm) x 20-5/8" d. (52.3cm) x 50¾" h. (129cm) - in normal configuration
- Weight:** 148 pounds (67 Kg)

**POWER HANDLING CAPACITY**

In an effort to provide a meaningful power rating, the frequency spectrum of the lead guitar in several prominent groups was band-analyzed. A filter was designed that would shape white noise (a sound similar to between-station FM noise, consisting of all frequencies from 20 to 20,000 Hz simultaneously) to the typical lead guitar spectrum. The lead guitar frequency spectrum is far more demanding at the frequency extremes than voice or conventional music program material. Filtered white noise

ENGINEERING DATA SENTRY IVA™ PROFESSIONAL LOUDSPEAKER SYSTEM

is fed into the system at various levels to determine the power handling capacity.

With the attenuator in the No. 1 position (flat) the continuous power handling capacity (above defined and assuming a nominal 8 ohm load) is 50 watts. With the attenuator in the No. 2 position, the power handling is 75 watts continuous. In No. 3 position, it is 125 watts continuous. The fourth attenuator position almost completely attenuates the upper range of the tweeter output and significantly increases power handling capacity.

Figure 6 shows continuous sine wave power handling with relation to frequency. The graph is designed to be used to calculate power handling when unusual program sources with substantial high frequency energy are anticipated. *A continuous voltage of 4 volts into the tweeter should not be exceeded when using noise inputs.*

**CAUTION:** While the normal area of maximum peak power in program material tends to be in the 500 Hz range, fast winding of professional tape machines at five to six times the normal speed shifts the peak power area into the tweeter which, in effect, causes the tweeter to function as a full-range speaker. In addition to shifting the power spectrum, transient times are accelerated and destructive forces are substantially increased. *The tweeter will not tolerate much of this type of treatment*, so care should be taken when high winding to assure that the tape is lifted from the playback head.

#### CONNECTING THE SENTRY IVA

The Sentry IVA is shipped in two separate packages. After unpacking the low-frequency section, the high-frequency subassembly may be unpacked and assembled. Two brackets are shipped with the high-frequency assembly which, by means of the hardware provided, attach the tweeter to the midrange horn (see Figure 3). You may notice that the predrilled holes in the front of the midrange horn do not align with the predrilled holes in the tweeter mounting bracket. With the hands, the horn mouth should be stretched or compressed so that the predrilled horn holes match the tweeter bracket holes. The brackets should then be screwed in place. (The above operation insures that the horn mouth area and horn rigidity are maintained constant, as designed.)

The tweeter may be suspended below the midrange horn or above it, depending on final mounting configuration. In the normal mounting configuration, the midrange/crossover assembly is secured to the top of the low-frequency section, and the tweeter is suspended below the midrange section hanging in the upper wave path of the low-frequency section. Hinges are provided by which, with shims, the high-frequency assembly can be tilted and affixed at the desired angle with relation to the low-frequency assembly.

#### ELECTRICAL CONNECTIONS

The crossover section is shipped with the midrange driver already wired and the leads for the tweeter and the

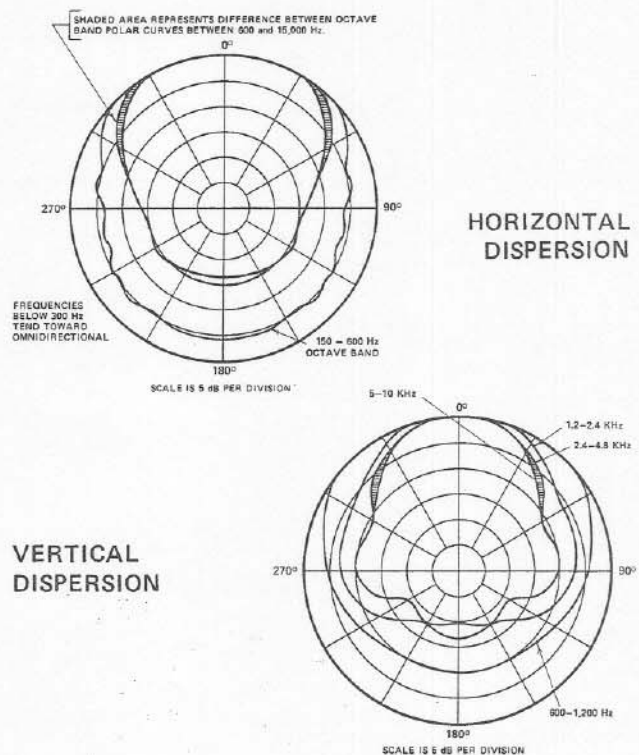


FIGURE 2 - Frequency Dispersion

low-frequency section already attached. The white striped lead corresponds to the positive terminal (T1) on both tweeter and midrange driver, and the woofer connection is provided for with a phone plug. (Phone plug tip corresponds to positive or T1 terminal, while the sleeve is the negative terminal.) When designing or employing a low-level crossover in bi-amping, the following criteria should be used:

Crossover frequency - 400 to 450 Hz.

Crossover sloping - 12 dB per octave or greater.

**Phasing**- In the classical configuration for the 12 dB per octave crossover, the woofer should be connected out of phase with the high-frequency components. However, since phasing conditions in an unspecified electrical crossover cannot be anticipated, the following procedure is recommended for optimum phasing in any given situation: introduce a sine wave at the crossover frequency (between 400 and 450 Hz depending on the crossover) to the system. By switching phasing of the high-frequency half of the system, select the phasing configuration which gives the loudest output at any given crossover frequency.

In the event that this wiring is disconnected for one reason or another, it must be noted that the tweeter and midrange sections should be connected in phase with one another while the low-frequency section should be out of phase with the tweeter and midrange. Output leads (power leads) from the amplifier should be connected at the input terminals with the positive lead connected to the red input terminal, causing the low-frequency section to be in phase with the amplifier output. (See Figure 5.)

## TWEETER PROTECTION

A tweeter protection device is provided to allow maximum performance without tweeter damage. The device senses for maximum safe voltage to the tweeter and opens the tweeter circuit (1 millisecond relay) if that voltage is exceeded. When safe voltage is resumed the tweeter is instantly brought back into the circuit.

The protector is located under the horn in front of the crossover. The wires from the input of the protector should be connected to the tweeter terminals on the crossover (striped lead to black terminal) and the output wires of the protector to the tweeter itself (striped lead to terminal T1).

NOTE: When the system is operating at maximum power threshold, the tweeter may switch in and out with a clicking sound. To relieve the tweeter, either lower the power or roll the tweeter off one additional position at the crossover.

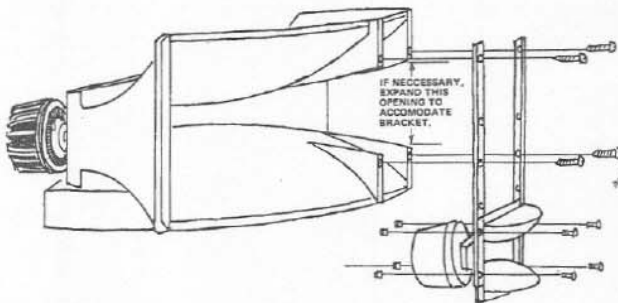


FIGURE 3 – Bracket Assembly

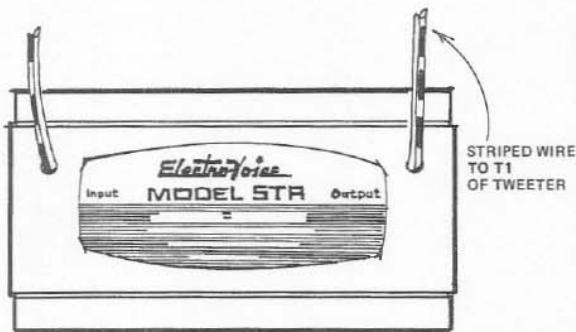


FIGURE 4 – Wiring of Tweeter Protector

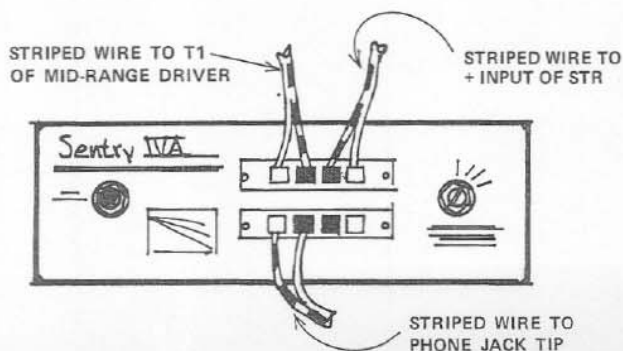


FIGURE 5 – Crossover Wiring

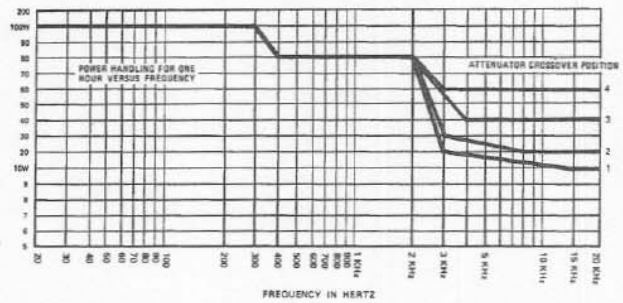


FIGURE 6 – Power Handling Chart (average sine wave power, nominal 8 ohm load)

## SYSTEM LAYOUT

Accurate system layout with the Sentry IVA may be made by referring to the axial frequency response of Figure 1 as well as the octave band random noise polar response of Figure 2. From these figures, the sound pressure level available at a distance of 4 feet with full power in (50 watts) may be determined for any octave band at any angle.

**Level Variations with Distance: Non-Reverberant Environments:** In a non-reverberant environment (such as out-of-doors), sound pressure level will drop 6 dB every time the distance from the speaker is doubled (inverse square law). The nomograph of Figure 7 shows the dB losses to be expected as distance from the Sentry IVA is changed.

**Level Variations with Distance: Reverberant Environments Indoors:** Where sound is reflected from walls and other surfaces and the environment is reverberant, there is a point (the "critical distance") beyond which the "reverberant field" dominates and sound pressure is nearly constant. This distance is typically ten to twenty-five feet from the speaker and is shortest for the most reverberant rooms. Because of the reverberant field, the sound pressure level obtainable in a room is much higher and more constant than that predicted by inverse square law alone. However, the information in Figures 1 and 2 is still necessary in order to obtain satisfactory distribution of the sound direct from the loudspeaker ("direct field"), which still follows the inverse square law.

In installations where applicable, it is good practice to make sure that the direct field is no more than 12 dB below the reverberant field if satisfactory intelligibility is to be obtained. This condition is fulfilled if the listener is no more than four times critical distance from the loudspeaker.

**Level Variation with Power:** Each time the power delivered to the speaker is halved, a drop of 3 dB occurs, in any type of environment. The nomograph of Figure 7 shows this effect.

**Level Variations due to Multiple Speakers:** The chart on the next page indicates the total sound pressure level resulting from two loudspeakers aimed at the same point. This chart greatly facilitates layout of systems employing multiple speakers.

**WHEN TWO SIGNALS  
DIFFER BY:**

- 0 dB
- 1
- 2
- 3
- 4
- 5
- 6
- 7
- 8
- 9
- 10
- 11
- 12

**ADD TO THE  
LARGER READING**

- 3.00 dB
- 2.50
- 2.10
- 1.70
- 1.40
- 1.10
- .97
- .79
- .63
- .51
- .43
- .35
- .26

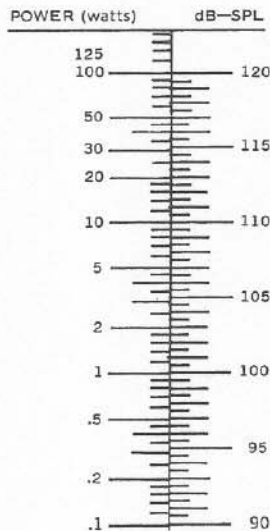
**ENVIRONMENT**

The Sentry IVA professional system was designed for one-quarter to one-half-space use. The unit should be as close to reflecting planes as possible so that out of phase low-frequency irregularities from the reflected wave may be avoided. Cavities around the device are undesirable, as cavity resonances may be excited.

**ARCHITECTS' AND ENGINEERS' SPECIFICATIONS**

The speaker is a 3-way all-horn-loaded wide-range system with high power-handling capacity. Low end should consist of a folded horn housing two 12" cone drivers. Midrange should consist of a 120° sectoral horn and driver, and the high end should consist of a 120° sectoral tweeter with integral driver. Electrical crossover frequencies should be at 400 Hz and at 3500 Hz. Low-frequency cutoff should occur at approximately 50 Hz. Frequency response should be smooth and flat (in ¼- to ½-space coupling) from 50 Hz to 18,000 Hz. Dispersion of the system should be uniform with no lobes from 600 Hz to 18,000 Hz. Horizontal dispersion should be 120°, with vertical dispersion at 60°.

A tweeter protector is provided to save the tweeter from surges of excess power such as feedback and some forms



of program material. It automatically disconnects the tweeter as power exceeds the tweeter's power handling capacity (See Figure 6) and reconnects the tweeter when power levels are safe.

In the crossover No. 1 position, power handling should be 50 watts continuous (8 ohm nominal load) using a suitable noise input shaped to the lead guitar spectrum; No. 2 position, 75 watts; No. 3 position, 125 watts, and No. 4 substantially higher.

**WARRANTY**

Electro-Voice Sentry Loudspeakers and accessories are guaranteed for five years from date of original purchase against malfunction due to defects in workmanship and materials. If such malfunction occurs, unit will be repaired or replaced (at our option) without charge for materials or labor if delivered prepaid to the proper Electro-Voice service facility. Unit will be returned prepaid. Warranty does not cover finish or appearance items or malfunction due to abuse or operation at other than specified conditions. Repair by other than Electro-Voice or its authorized service agencies will void this guarantee.

For correct shipping address and instructions on return of Electro-Voice products for repair and locations of authorized service agencies, please write: Service Department, Electro-Voice, Inc., 600 Cecil Street, Buchanan, Michigan 49107 (Phone: 616/695-6831).

Electro-Voice also maintains complete facilities for non-warranty service.

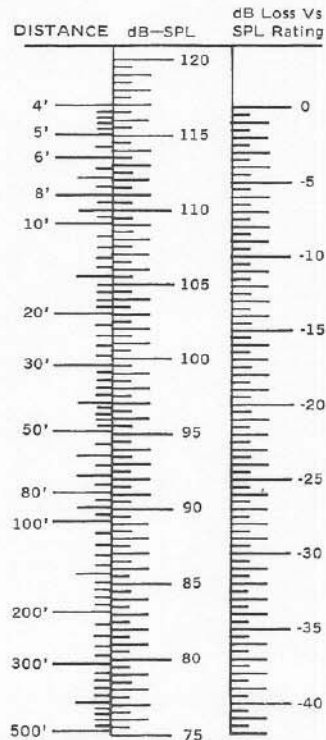


FIGURE 7 - Nomographs

## Free Manuals Download Website

<http://myh66.com>

<http://usermanuals.us>

<http://www.somanuals.com>

<http://www.4manuals.cc>

<http://www.manual-lib.com>

<http://www.404manual.com>

<http://www.luxmanual.com>

<http://aubethermostatmanual.com>

Golf course search by state

<http://golfingnear.com>

Email search by domain

<http://emailbydomain.com>

Auto manuals search

<http://auto.somanuals.com>

TV manuals search

<http://tv.somanuals.com>