



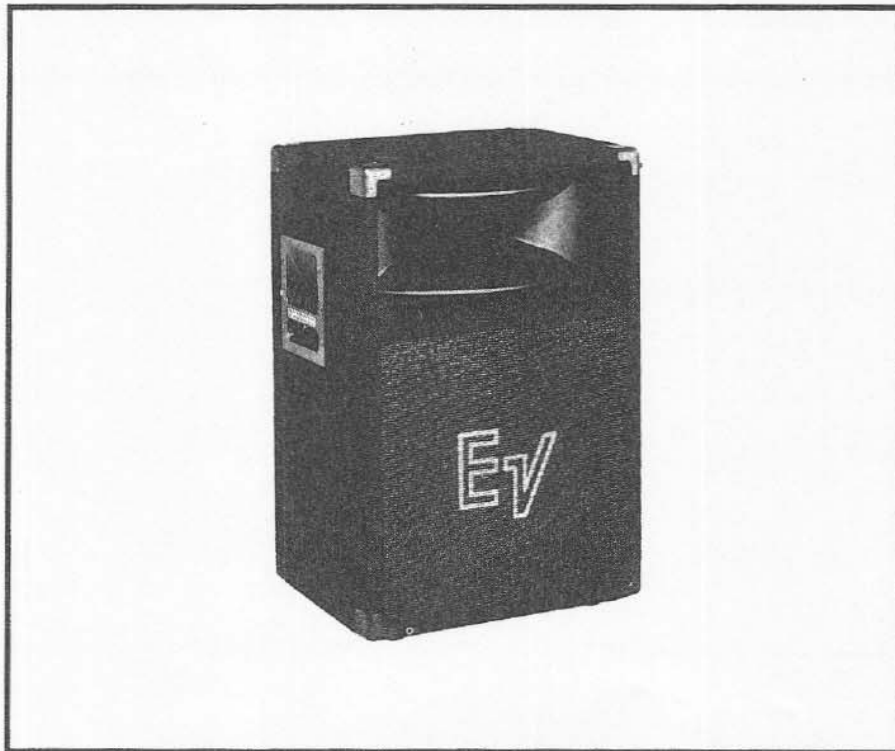
**Electro-Voice®**

a MARK IV company

600 Cecil Street  
Buchanan, Michigan 49107  
Phone: 616-695-6831  
FAX: 616-695-1304

## SERVICE DATA

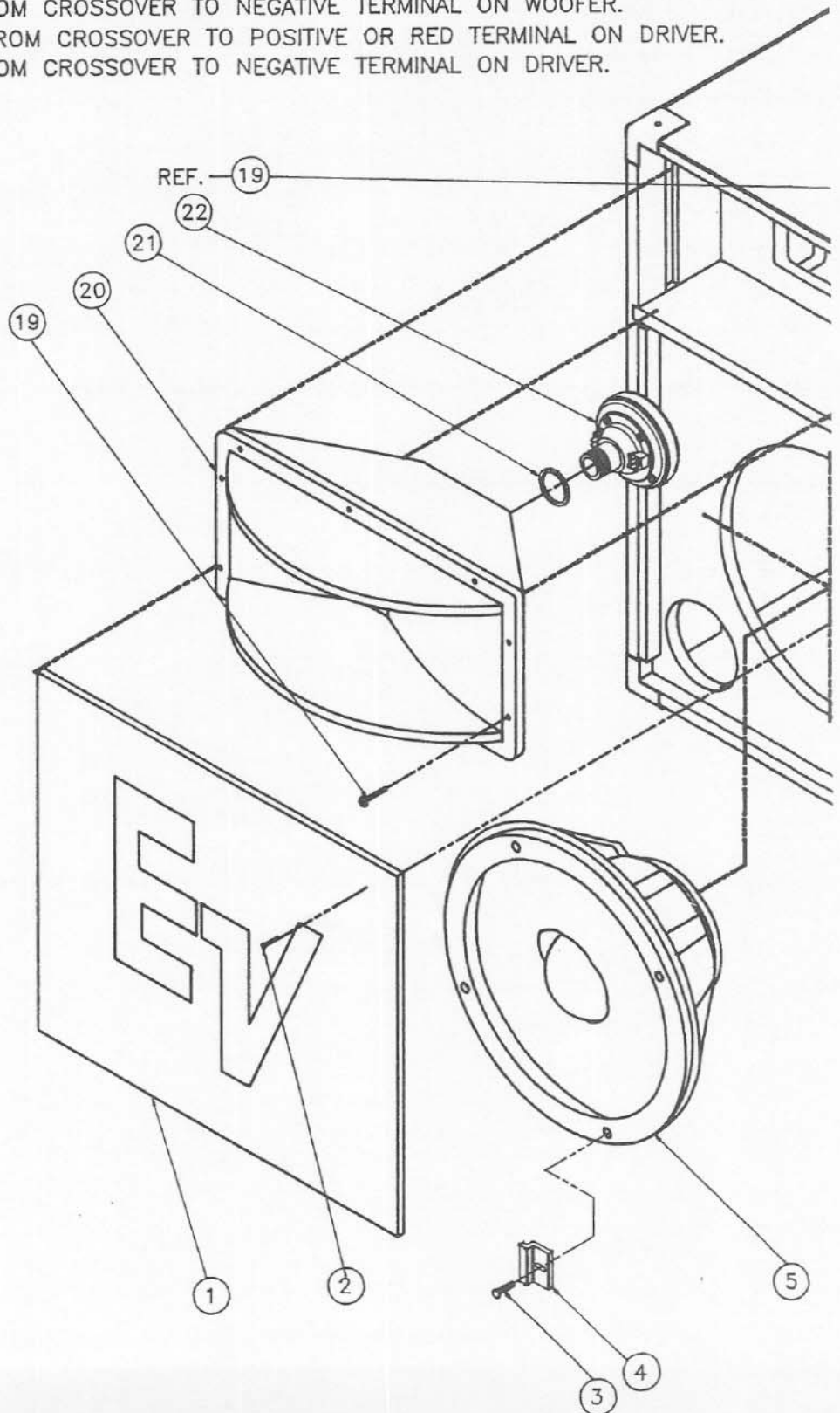
# Model SH-1512ER

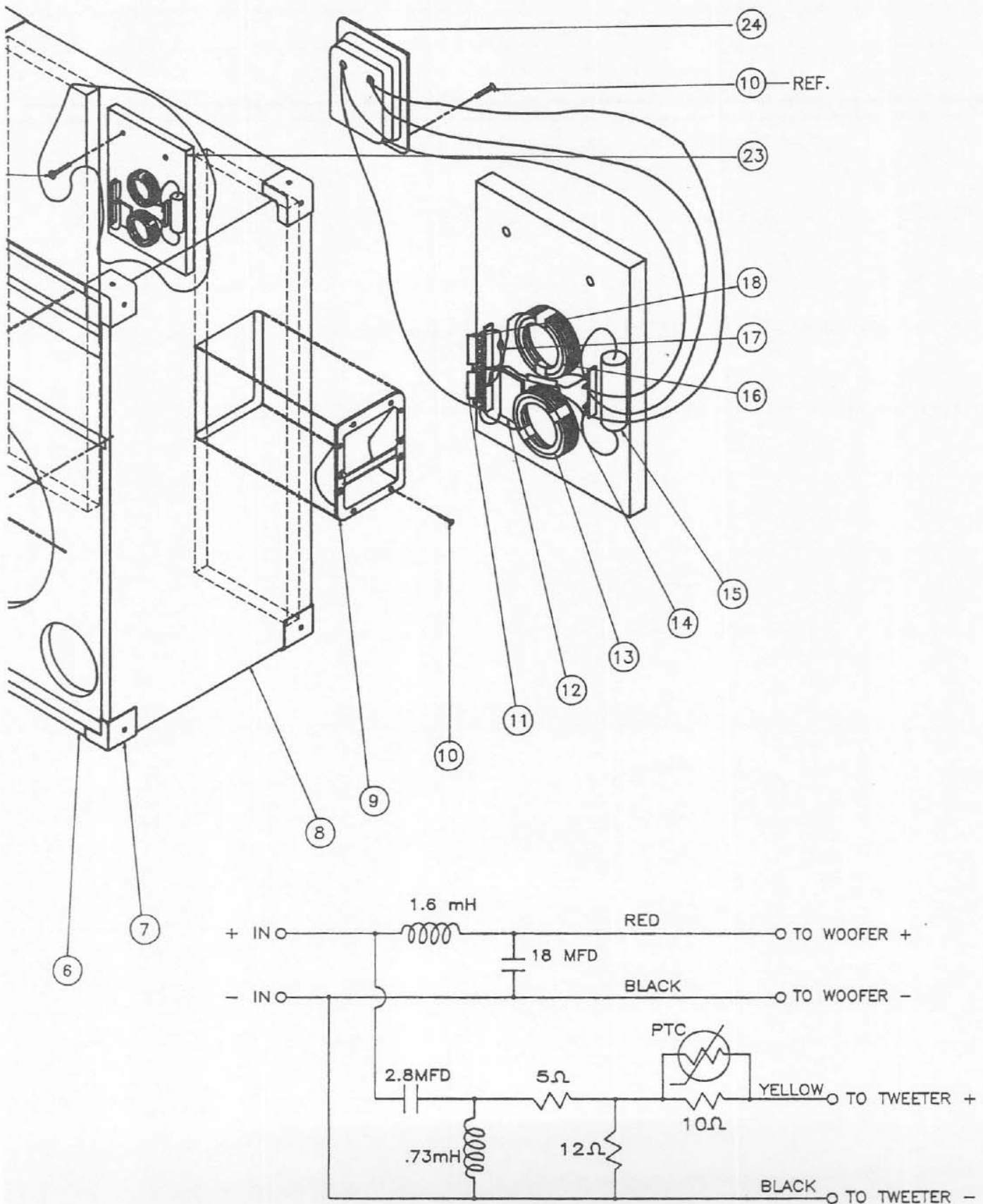


Specifications:	SH-1512ER
Model & Spec:	1011-0989
Frequency Response:	50-20,000 Hz
Power Handling, Long-Term:	200W
SPL at 1 Watt/1 Meter:	100 dB
Nominal Impedance:	8 ohms
Minimum Impedance:	6.1 ohms
Nominal Dispersion (h/v):	110 x 46
Crossover Frequency:	1,600 Hz
Dimensions (hwd):	31.9 in. x 24.7 in. x 16.0 in.
Weight:	75 lb

NOTES:

1. RED WIRE FROM CROSSOVER TO POSITIVE OR RED TERMINAL ON WOOFER.  
BLACK WIRE FROM CROSSOVER TO NEGATIVE TERMINAL ON WOOFER.
2. YELLOW WIRE FROM CROSSOVER TO POSITIVE OR RED TERMINAL ON DRIVER.  
BLACK WIRE FROM CROSSOVER TO NEGATIVE TERMINAL ON DRIVER.





24	81497	1	INPUT PANEL S/A
23	81858	1	CROSSOVER S/A
22	833-0990	1	DRIVER, HIGH FREQUENCY
21	38701	1	GASKET
20	A70023	1	HORN, MIDRANGE
19	62544CP	10	SCR., #8-15 X 1/4 HEX WSHR. HD.
18	46815	1	RESISTOR, 10ohm, 10% WIRE WOUND
17	56208	1	POLY SWITCH, RAYCHEM RDE050A
16	3575	1	INDUCTOR .73mH
15	42711	1	CAPACITOR, 18 MFD, 70v, ELECTRO
14	46817	1	RESISTOR, 12 ohm. 10% WIRE WOUND
13	35034	1	INDUCTOR, 1.6mH
12	4234	1	CAPACITOR, 2.8 MFD, 100v, MYLAR
11	46816	1	RESISTOR, 5 ohm. 10% WIRE WOUND
10	62978CP	24	SCR., #10-12 X 1, OVAL HD., X-REC.
9	20265	2	HANDLE
8	81495	1	ENCLOSURE
7	20349	8	CORNER
6	28261	4	FOOT
5	1815-0992	1	LOUDSPEAKER
4	70188HV	4	BRACKET, MOUNTING
3	63194CP	6	SCR., 1/4-20 X 1, HEX WSHR. HD.
2	63145CP	6	SCR., #6-1/2, PAN HD., X-REC.
1	B72385JD	1	GRILLE
ITEM	PART NO.	QTY.	DESCRIPTION
BILL OF MATERIALS FOR ONE COMPLETE UNIT			



**ELECTRO-VOICE, INC., 600 Cecil Street, Buchanan, Michigan 49107**

MANUFACTURING PLANTS AT ■ BUCHANAN, MI ■ NEWPORT, TN ■ SEVIERVILLE, TN ■ OKLAHOMA CITY, OK ■ GANANOQUE, ONT.  
 ©Electro-Voice, Inc. 1992 ■ Litho in U.S.A. Part Number 531980 — 242

a MARK IV company

## Free Manuals Download Website

<http://myh66.com>

<http://usermanuals.us>

<http://www.somanuals.com>

<http://www.4manuals.cc>

<http://www.manual-lib.com>

<http://www.404manual.com>

<http://www.luxmanual.com>

<http://aubethermostatmanual.com>

Golf course search by state

<http://golfingnear.com>

Email search by domain

<http://emailbydomain.com>

Auto manuals search

<http://auto.somanuals.com>

TV manuals search

<http://tv.somanuals.com>