

DESCRIPTION

Speakers used with amplified instruments are subjected to the severest possible operational and handling conditions. Even so, failure of a speaker in live performance is intolerable. The SRO/18 musical instrument speaker combines reliability with high efficiency. The powerful sixteen-pound magnetic structure combined with the edge-wound aluminum voice coil results in efficiency unmatched in other so-called "high power" speakers. In fact, the SRO/18 produces more *acoustic* power with a 100-watt input than most "high power" speakers at 200 watts input.

What about reliability? Look at all the goodies: super-rigid eight spoke diecast aluminum frame; nonfatiguing cloth cone suspension; heavy duty, improved design curvilinear cone to eliminate breakup and edge-hole effects; high heat resistant laminated coil form; new heat dissipating back cover; and many more techniques to provide performance you can count on.

There's more! The SRO/18 represents flexibility unmatched anywhere. Installed in a correct horn or reflex load, it not only provides the deep gut sound required for bass guitar, but a smooth treble that produces startling performance for either lead guitar or P.A. That's having your cake and eating it, too!

Power? Well, we rate the brute at 100-watts continuous sine wave; but what does all this power do for the performer? In a proper vented enclosure the 100 watts is capable of flexing your eardrums with 120 dB of sound at four feet! Use a properly designed horn load and its capability goes up at least 3 dB overall and up to 10 dB at

FEATURES

- Husky 8-spoke diecast aluminum frame
- Low-mass high-efficiency edgewound aluminum voice coil
- Rugged laminated coil form
- Heavy-duty curvilinear cone
- Fatigue-resistant cone suspension
- Vented coil and magnet structure
- Heat radiating back cover

bass frequencies. The same as doubling your amplifier power. Incidentally, we don't recommend that you stand in such a sound field — permanent ear damage may result!

What's the result of all this? The SRO/18 will turn you on!

SPECIFICATIONS

Nominal Impedance:	4 ohms
DC Resistance:	3 ohms ± 10%
Power Handling Capacity:	100 watts continuous sine wave
Voice Coil Diameter:	2½"
Magnet Weight:	4 lbs., 13 oz. ceramic
Magnetic Structure:	16 lbs.
EIA Sensitivity Rating:	54 dB
Dimensions:	18" dia. x 8" deep
Frame Mounting:	Eight 3/8" holes equally spaced on 17¼" circle.
Mounting Dimensions,	
Baffle Opening:	Front mount 16-5/8" dia. Rear mount 16-3/8" dia.
Mounting Holes:	Front mount — eight 9/32" holes equally spaced on 17-3/8" bolt circle Rear Mount — eight 9/32" holes equally spaced on 17¼" bolt circle
Net Weight:	22 pounds
Shipping Weight:	26 pounds

INSTALLATION

The SRO/18 may be front- or rear-mounted, although front mounting is preferred because the bolts may be tightened fully. It is *important* that recommended baffle openings and mounting bolt locations be followed.

FRONT MOUNTING requires a 16-5/8-inch diameter cut-out and a 17-3/8-inch bolt circle. Drill eight bolt holes (3/4-20 round head stove bolts are recommended. Length should be 1/2-inch plus panel thickness if using TEENUTS – longer for standard hex nuts.) If TEENUTS are used (3/4-20 long shank), drill 9/32-inch or .290 diameter (letter "L" drill) holes. Apply glue to flanges of TEENUTS before inserting. Hex nuts are not normally used with front mounting due to inaccessibility of back of baffle. Tighten bolts evenly. More torque may be applied than in rear mounting.

In front mounting it is necessary to use the segmented foam gasket with adhesive backing. Strip off protective paper and apply gasket to the rear mounting surface of the speaker rim, making certain that bolt cutouts in the gasket line up with the holes in the speaker frame mounting surface.

***IMPORTANT!** When front mounting, the bolt head must fit down into the front gasket cutout. See Figure 2.*

Rear mounting requires a 16-3/8-inch diameter cutout and a 17 1/4-inch bolt circle. Drill eight bolt holes (3/4-20 round head stove bolts are recommended. Length should be 3/4-inch plus panel thickness if using TEENUTS – longer for standard hex nuts).

If TEENUTS are used (3/4-20 long shank), drill 9/32-inch or .290 diameter (letter "L" drill) holes. Apply glue to flange of TEENUTS before driving them into holes.

If hex nuts are used, drill proper hole size to accommodate the 3/4-20 bolt. Use a second nut to tighten against the first nut to prevent loosening during operation. A lockwasher and flat washer are recommended between the screw head and frame. See Figure 3.

Screws should be tightened evenly, but not excessively. Maximum torque possible with a proper size screwdriver should be sufficient. Do not use adhesive-back gasket segments for rear mounting.

If a cabinet is to be constructed from scratch, 3/4-inch solid and jointed or marine plywood is recommended. After construction, be certain interior is completely free of metal filings, wood chips, etc.

CONNECTIONS

Use No. 18 or larger stranded wire to connect the two terminals on the loudspeaker to the amplifier output. If a choice of amplifier output impedance is available (4, 8, 16 ohms), a single SRO/18 speaker should be connected to the 4-ohm tap. Two SRO/18 speakers should be connected in parallel only to amplifiers designed for 2-ohm loads. Be sure to connect the red terminals to-

gether as shown in Figure 4. If series wiring is desired, wiring and polarity should follow Figure 5. The correct impedance tap for this configuration is 8 ohms.

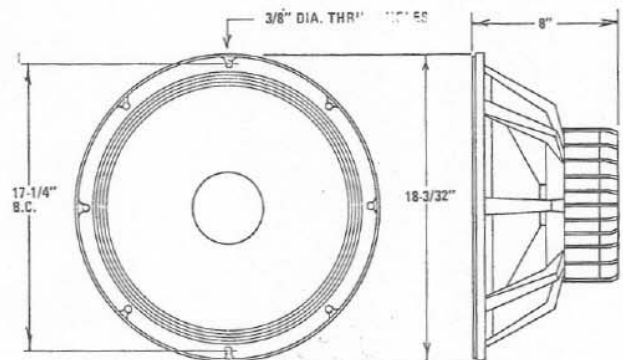


FIGURE 1 – Dimensions

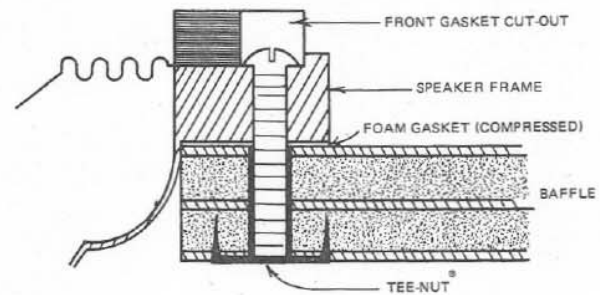


FIGURE 2 – Front Mounting Detail

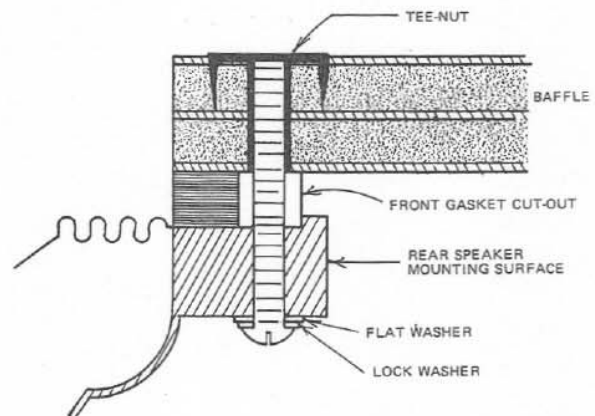


FIGURE 3 – Rear Mounting Detail

WARRANTY

Electro-Voice Amplified Instrument Loudspeakers are guaranteed for the life of the speaker against failures due to defects in materials and workmanship. If failure occurs under normal operating conditions, your speaker will be repaired or replaced (at our option) without charge. This warranty is void if speaker is operated above the specified power rating, if altered or repaired by other than Electro-Voice or its authorized service agency, or if damage is the result of physical abuse. Warranty does not cover finishes.

Speakers for warranty repair must be shipped prepaid to Electro-Voice or its authorized service agency, and will be returned prepaid. For locations of E-V service agencies, please write Service Department, Electro-Voice, Inc., 600 Cecil Street, Buchanan, Michigan 49107.

Electro-Voice also maintains complete facilities for non-warranty service.

CUSTOMER SERVICE

SRO/18 speakers are packed to provide maximum protection — well in excess of the shipping requirements of the Interstate Commerce Commission. If shipping damage does occur, contact the carrier immediately, requesting inspection and instructions, or contact the dealer from whom the unit was purchased.

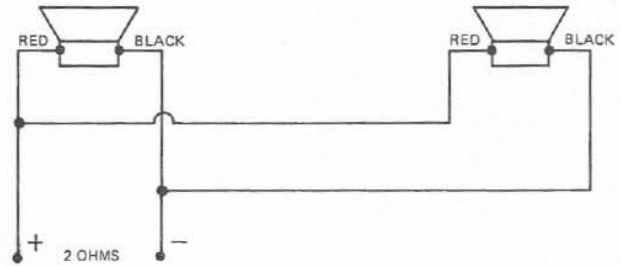


FIGURE 4 — Connection of 2 SRO/18 Speakers in Parallel

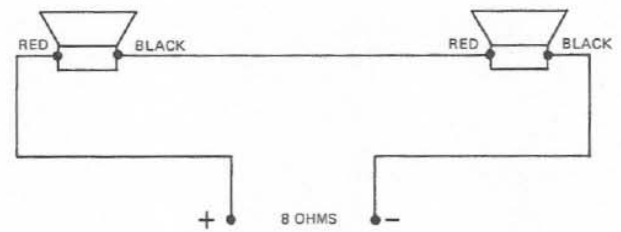


FIGURE 5 — Connection of 2 SRO/18 Speakers in Series

Factory service and repair address for this product:
Electro-Voice, Inc., 600 Cecil St., Buchanan, Mich.
49107.



a Gulton COMPANY

ELECTRO-VOICE, Inc., 600 CECIL ST., BUCHANAN, MICH. 49107

MANUFACTURING PLANTS AT ■ BUCHANAN, MICH. ■ NEWPORT, TENN. ■ SEVIERVILLE, TENN. ■ GANANOQUE, ONT. ■ SEOUL, KOREA

Part No. 535417—Litho in U.S.A.—240

Free Manuals Download Website

<http://myh66.com>

<http://usermanuals.us>

<http://www.somanuals.com>

<http://www.4manuals.cc>

<http://www.manual-lib.com>

<http://www.404manual.com>

<http://www.luxmanual.com>

<http://aubethermostatmanual.com>

Golf course search by state

<http://golfingnear.com>

Email search by domain

<http://emailbydomain.com>

Auto manuals search

<http://auto.somanuals.com>

TV manuals search

<http://tv.somanuals.com>