



Electro-Voice®

a MARK IV company

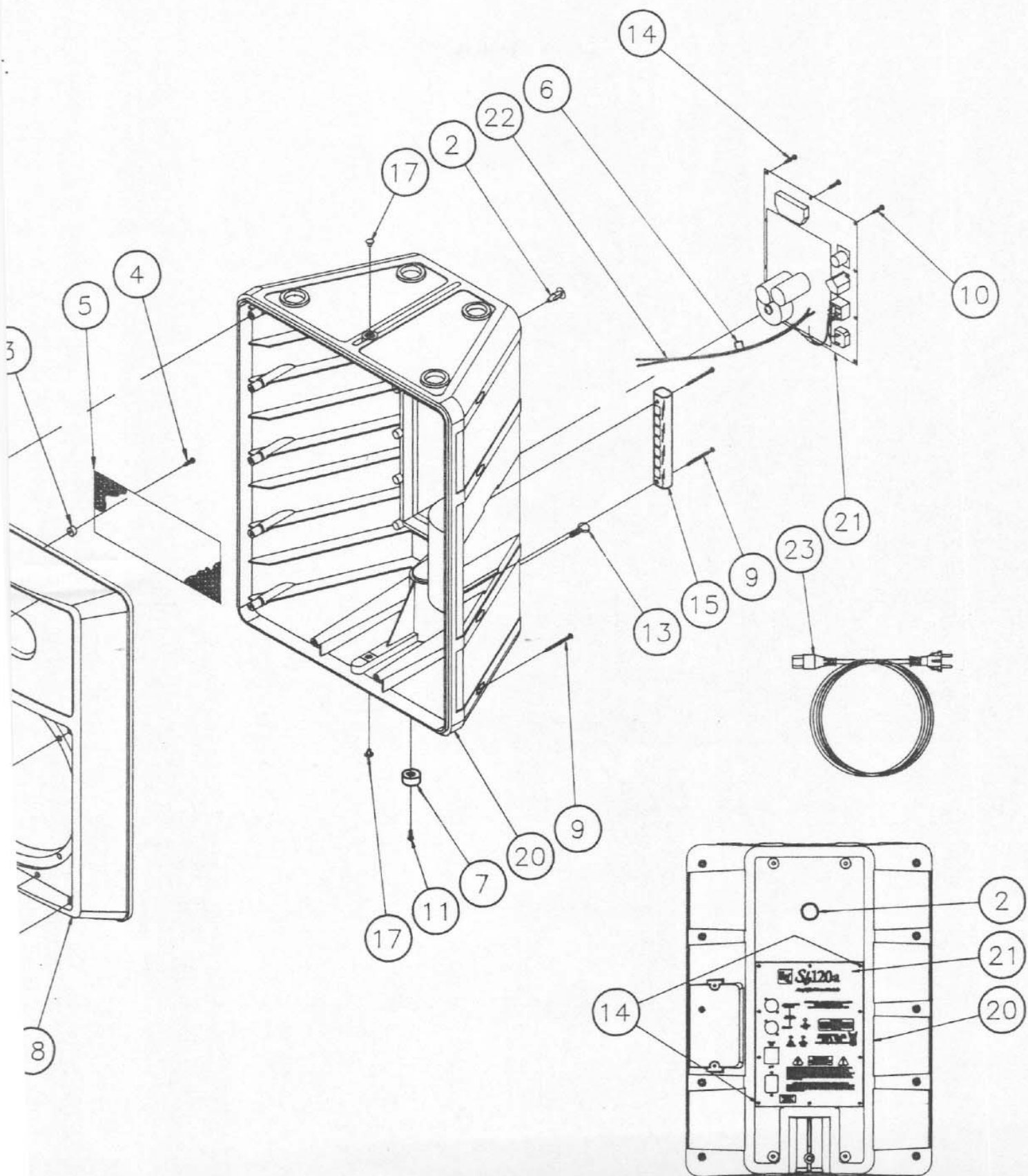
600 Cecil Street
Buchanan, Michigan 49107
Phone: 616-695-6831
FAX: 616-695-1304

**SERVICE
DATA**

Model Sb120a

(EXPORT)





23	16754	1	CORD, POWER, SHUKO.IEC, 230 VOLT, 8.2 FT
22	83082	1	WIRE S/A, #18 ZIPCORD, 15", .250/BARE LUGS
21	83045	1	AMPLIFIER S/A (EXPORT 220 VOLT)
20	71798	1	ENCLOSURE
19	71685	2	BATTING, POLYESTER
18	71683	1	BAFFLE, SUB WOOFER
17	71602	2	PLUG, HOLE, BLK, ALLIANCE PLASTICS #1-1/4
16	71494	1	GRILLE
15	71490	1	HANDLE
14	63288	2	SCR, #10-16 x 3/4, HEX WSHR HD, HI-LO
13	63287	1	SCR, 1/4-20 x 3/4, THUMB, BLK ZINC
12	63286	8	SCR, M6 x 20MM, HEX SOCKET CAP HD, STL
11	63284	4	SCR, #8-18 x 1/2, PAN HD, PHLPS, HILO
10	63283	12	SCR, #10-16 x 3/4, PAN HD, PHLPS, HI-LO
9	63282	16	SCR, #10-16 x 2, PAN HD, PHLPS, HI-LO
8	49018	1	NAMEPLATE, EV LOGO
7	28308	4	FOOT, RUBBER
6	532148	1	LABEL, DANGER HIGH VOLTAGE, BRIGHT ORANGE
5	71757	1	GRILLE, PORT
4	63254	4	SCR, #6-19 x 3/4, HI-LOW, HEX WSHR HD, SHNK SLTD BLUNT
3	20571	4	STAND-OFF, RUBBER, 1/2" OD x 1/8" ID x 1/4" THK
2	20564	1	PLUG, HOLE, ARROW CLIP, HEYCO #0317, BLACK
1	812-2364	1	LOUDSPEAKER, 12"
ITEM	PART NO.	QTY.	DESCRIPTION
BILL OF MATERIALS FOR ONE COMPLETE UNIT			

FINAL ASSEMBLY PARTS LIST



Free Manuals Download Website

<http://myh66.com>

<http://usermanuals.us>

<http://www.somanuals.com>

<http://www.4manuals.cc>

<http://www.manual-lib.com>

<http://www.404manual.com>

<http://www.luxmanual.com>

<http://aubethermostatmanual.com>

Golf course search by state

<http://golfingnear.com>

Email search by domain

<http://emailbydomain.com>

Auto manuals search

<http://auto.somanuals.com>

TV manuals search

<http://tv.somanuals.com>