

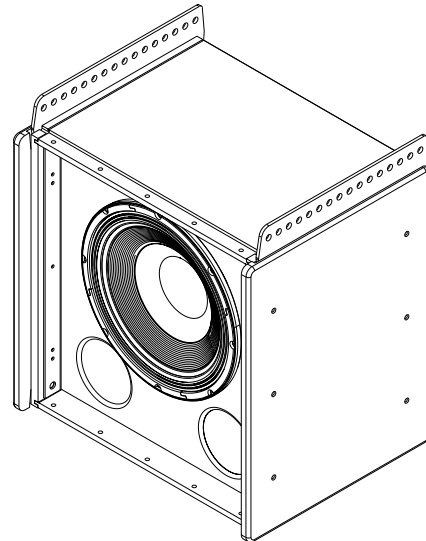
# EVA-1151D

## Single 15" Subwoofer Line-Array Module



### Key Features:

- Compact design rigs with EVA full-range modules
- Hidden suspension hardware (included) is aesthetically pleasing
- Three finishes available — standard, PI, and fiberglass
- 98 dB sensitivity
- 500 W continuous power capacity (2,000 W peak)
- 125/131 dB maximum SPL (continuous/peak)
- EVADA (EVA Design Assistant) software tool available



### General Description:

The Electro-Voice EVA-1151D is a high-power, front-loaded subwoofer module for use with EVA full-range line-array modules. It can be arrayed on top of an EVA full-range array using an EVA-SG2 standard or EVA-EG2 extended grid, or behind a full-range EVA array using the EVA-CG coupler grid, which allows subs to be flown in the array without increasing trim height. Up to three EVA-1151D subwoofer modules and five full-range modules may be flown in this configuration from a single hang point. The unique acoustic and integrated rigging design of the EVA series also allows for construction of vertical arrays up to eight modules high using any combination of EVA-1151D and/or EVA-2082S modules. For rigging information please refer to the EVA User Manual available at [www.electrovoice.com](http://www.electrovoice.com).

The EVA-1151D has been designed exclusively for fixed installation applications. The DVX3159A 15" woofer is specially designed for subwoofer duty to provide reliable low-frequency performance with solid impact and low distortion at high sound pressure levels. The enclosure is constructed of 18-mm 13-ply birch plywood reinforced with internal steel rigging top to bottom and coated with EVCoat™ for durability and professional appearance. PI versions are available for indirect outdoor exposure or fiberglass (FG) versions for severe exposure applications. PI and FG versions include the CDG dual-gland-nut input panel cover and stainless steel three-layer grille. The innovative input panel provides a choice of Phoenix/Euroblock connectors, optional CDNL4 cover plate with dual NL4-type connectors or the CSG single-gland-nut plate for use with cable. Enclosure side-panel covers conceal all suspension hardware and provide a smooth, monolithic appearance. In keeping with the modular building-block philosophy behind EVA series loudspeakers, intermodule tie plates included with the EVA-1151D provide for splays of 0° or 5° between subwoofer modules to help accommodate the wide variety of array configurations possible, including stand-alone subwoofer arrays. For array design please refer to the EVA Design Assistant (EVADA) software available at [www.electrovoice.com](http://www.electrovoice.com).

### Technical Specifications:

Freq. Response <sup>1</sup> (-3 dB):	48 Hz - 250 Hz	
Freq. Range <sup>1</sup> (-10 dB):	35 Hz - 250 Hz	
Rec. High-Pass Frequency:	35 Hz, 24-dB-per-octave Butterworth	
Axial Sensitivity <sup>2</sup> :	98 dB (1 W/1 m)	
Max. Calculated SPL <sup>1</sup> :	131 dB	
Power Handling <sup>2</sup> :	500 W continuous, 2000 W peak	
Crossover Frequency:	80 - 125 Hz, 100 Hz typical	
LF Transducer:	DVX3159A, 15" (381 mm) driver	
Impedance:	8 ohms (nominal), 5.3 ohms (min.)	
Connectors:	Dual 4-pin 10 AWG Phoenix/EuroBlock screw-terminals	PI/FG Versions - CDG gland-nut input panel cover included
Enclosure:	13-ply weather-resistant birch with EVCoat™	FG Version - 13-ply weather-resistant birch with fiberglass finish
Grille:	16 GA powder-coated galvalneal	PI/FG Versions - Stainless steel with hydrophobic cloth
Environmental:	IEC 60529 IP55 for PI and FG versions	
Suspension:	EVA-SG2 grid (sold separately) EVA-EG2 grid (sold separately) EVA-CG grid (sold separately) EVA-GXB extra spreader bar (sold separately)	
Dimensions (H x W x D):	23.5" x 23.5" x 18.2" (597 mm x 597 mm x 462 mm)	
Net Weight:	89.1 lb (40.4 kg)	
Shipping Weight:	98.9 lb (44.9 kg)	

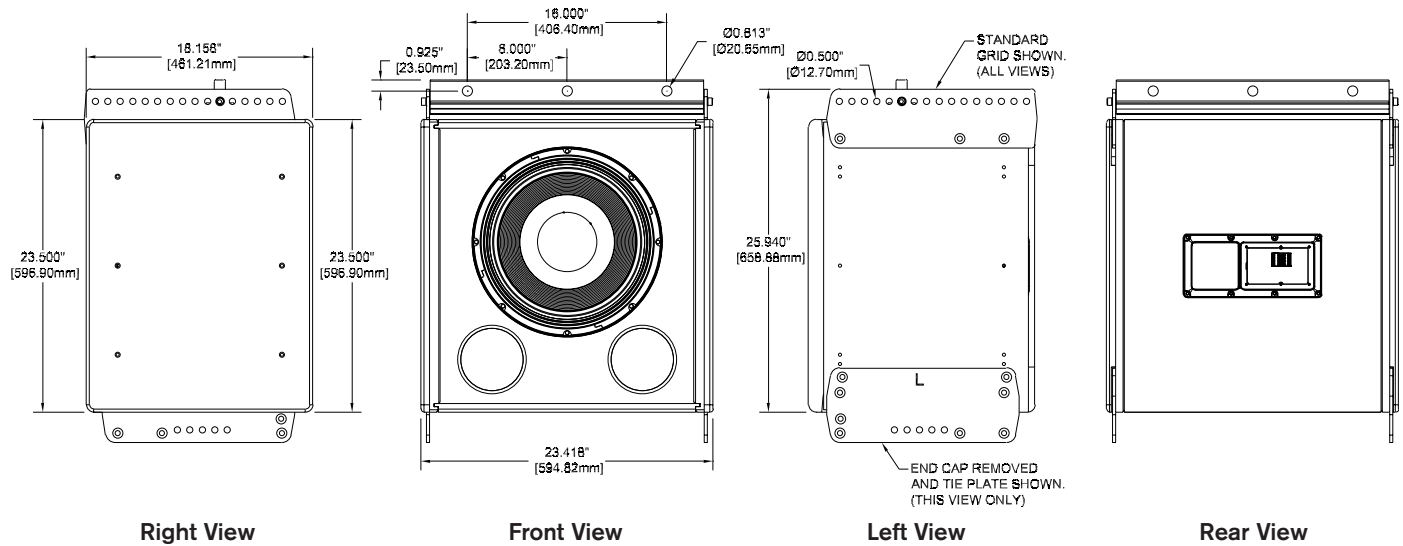
<sup>1</sup> Half-space measurement.

<sup>2</sup> AES-1984, tested for eight hours.

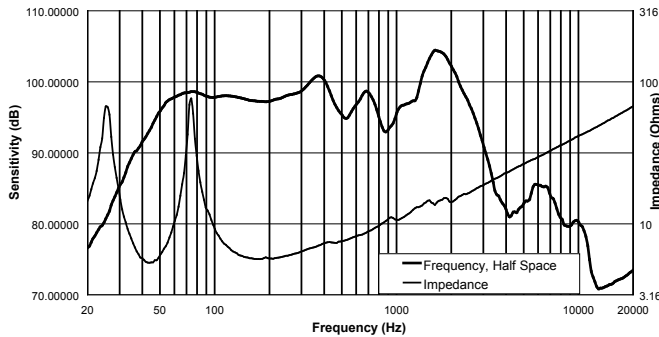
<sup>3</sup> Arithmetic average, 55 - 110 Hz, half-space measurement.



## Dimension Drawings:



## Frequency Response & Impedance:



### CAUTION

This EVA Loudspeaker should be suspended overhead only in accordance with the procedures and limitations specified in the *EVA User Manual* and possible manual update notices. This system should be suspended with certified rigging hardware by an authorized rigging professional and in compliance with local, state, and federal overhead suspension ordinances.

### Performance Match

- F01U131117 EVA-2082S/906, 90° x 6° coverage
- F01U131124 EVA-2082S/920, 90° x 20° coverage
- F01U131131 EVA-2082S/126, 120° x 6° coverage
- F01U131138 EVA-2082S/1220, 120° x 20° coverage
- F01U076843 CPS2.9, 120V power amplifier, 2 x 900W
- F01U076844 CPS2.12, 120V power amplifier, 2 x 1200W
- F01U101295 CPS4.10, 120V power amplifier, 4 x 1000W

### EVA-1151D Part Numbers

- F01U149922 EVA-1151D-BLK, black finish
- F01U149924 EVA-1151D-WHT, white finish
- F01U149926 EVA-1151D-PIB, black, weather resistant
- F01U149928 EVA-1151D-PIW, white, weather resistant
- F01U149930 EVA-1151D-FGB, black, weather resistant fiberglass
- F01U149932 EVA-1151D-FGW, white, weather resistant fiberglass

### Accessories

- F01U169134 EVA-SG2-BLK, EVA standard grid (black)
- F01U169135 EVA-SG2-WHT, EVA standard grid (white)
- F01U169136 EVA-EG2-BLK, EVA extended grid (black)
- F01U169137 EVA-EG2-WHT, EVA extended grid (white)
- F01U169132 EVA-CG-BLK, EVA coupler grid (black)
- F01U169133 EVA-CG-WHT, EVA coupler grid (white)
- F01U131151 EVA-GXB-BLK, EVA grid extra spreader bar (black)
- F01U131152 EVA-GXB-WHT, EVA grid extra spreader bar (white)
- F01U131158 CDNL4, cover plate, dual NL4
- F01U131159 CSG, cover plate, single gland nut
- F01U131160 CDG, cover plate, dual gland nut

## Electro-Voice

12000 Portland Avenue South, Burnsville, MN 55337  
Phone: 952/884-4051, Fax: 952/884-0043

www.electrovoice.com

© Bosch Communications Systems  
Part Number **F01U196232 Rev 2**

04/2011

U.S.A. and Canada only. For customer orders, contact Customer Service at:  
**800/392-3497 Fax: 800/955-6831**

Europe, Africa, and Middle East only. For customer orders, contact Customer Service at:  
**+ 49 9421-706 0 Fax: + 49 9421-706 265**

Other International locations. For customer orders, Contact Customer Service at:  
**+ 1 952 884-4051 Fax: + 1 952 887-9212**

For warranty repair or service information, contact the Service Repair department at:  
**800/685-2606**

For technical assistance, contact Technical Support at: **866/78AUDIO**

Specifications subject to change without notice.

## Free Manuals Download Website

<http://myh66.com>

<http://usermanuals.us>

<http://www.somanuals.com>

<http://www.4manuals.cc>

<http://www.manual-lib.com>

<http://www.404manual.com>

<http://www.luxmanual.com>

<http://aubethermostatmanual.com>

Golf course search by state

<http://golfingnear.com>

Email search by domain

<http://emailbydomain.com>

Auto manuals search

<http://auto.somanuals.com>

TV manuals search

<http://tv.somanuals.com>